



THE HEART OF FRESHNESS

OPERATING INSTRUCTIONS

BETRIEBSANLEITUNG
INSTRUCTION DE SERVICE

CB-100-2

VARIPACK - external BITZER Frequency Inverters (FI) Translation of the original Operating Instructions English.....	2
VARIPACK – externe BITZER Frequenzumrichter (FU) Originalbetriebsanleitung Deutsch	43
VARIPACK – convertisseurs de fréquences (CF) BITZER externes Traduction des instructions de service d’origine Français.....	84

FDU+6, FDU+12
FEU+16, FEU+24
FGU+32, FGU+38
FHU+45, FHU+60, FHU+73
FJU+87, FJU+105, FJU+145
FKU+180, FKU+205, FKU+260

Document for electrically skilled installers
Dokument für elektrisch unterwiesene Monteure
Document pour des monteurs instrués électriquement



Table of contents

1 Introduction	3
2 Safety	3
2.1 Authorized staff.....	3
2.2 Residual risks	3
2.3 Safety references.....	3
2.3.1 General safety references.....	3
3 Technical data	4
3.1 Modular design of the VARIPACK frequency inverter	6
4 Mounting	7
4.1 Transport and storage	7
4.2 Ventilation.....	7
4.3 Switch cabinet mounting.....	8
4.4 Through-switch cabinet mounting (option).....	9
4.4.1 Mounting work for through-switch cabinet mounting.....	11
4.5 Mounting in machinery room (option)	13
4.5.1 Mounting instructions for the IP21 kit.....	14
4.6 Mounting the fixtures for power cables and control cables.....	15
5 Electrical connection	16
5.1 Earth connection.....	17
5.2 Power connections (voltage supply cable and motor cable).....	17
5.3 Control connections (inputs and outputs)	18
5.4 Operating modes	20
5.4.1 Capacity control of the compressor depending on an external setpoint signal.....	20
5.4.2 Capacity control of the compressor as a function of the evaporation pressure	21
5.5 Electromagnetic compatibility (EMC).....	22
5.5.1 Analysis of the harmonics FDU+6 .. FKU+260	23
5.6 Safe Torque Off (STO)	24
5.7 Schematic wiring diagrams.....	26
5.7.1 Schematic wiring diagrams semi-hermetic reciprocating compressors	26
5.7.2 Schematic wiring diagrams semi-hermetic screw compressors	29
6 Control functions	33
6.1 Extension module for pressure control	35
7 Data communication with the VARIPACK frequency inverter	37
7.1 Communication via the BEST SOFTWARE	37
7.2 Removable control panel (with display and keypad)	38
7.2.1 Kit for external mounting of the control panel	38
7.2.2 Control panel setup and operation.....	39
7.3 Interfaces for communication via Modbus RTU and Modbus TCP/IP	39
8 Commissioning of the VARIPACK frequency inverter	39
9 Fault messages and monitoring functions	40
10 Maintenance	41

1 Introduction

The VARIPACK frequency inverters (FI) have been developed for use in refrigeration, especially for capacity control of BITZER compressors. In addition to speed control, the VARIPACK frequency inverters can also take over control functions of the refrigeration system.

These Operating Instructions describe the BITZER VARIPACK frequency inverters for refrigeration compressors. For any further information regarding the programming of the Modbus RTU and Modbus TCP/IP interface, see BEST SOFTWARE 2.9 or newer.

The VARIPACK frequency inverters have been built in accordance with state-of-the-art methods and current regulations. Particular importance has been placed on user safety. These Operating Instructions must be kept available in the vicinity of the VARIPACK frequency inverter!

2 Safety

2.1 Authorized staff

All work done on frequency inverters may only be performed by qualified and authorized staff who have been trained and instructed accordingly. Local regulations and guidelines apply with respect to the staff's qualification and expertise.

2.2 Residual risks

Frequency inverters may present unavoidable residual risks. That is why any person working on this device must carefully read these Operating Instructions!

The following rules and regulations are mandatory:

- relevant safety regulations and standards (e.g. EN378-2 and EN60204-1),
- generally accepted safety rules,
- EU directives,
- national regulations.

2.3 Safety references

are instructions intended to prevent hazards. Safety references must be stringently observed!



NOTICE

Safety reference to avoid situations which may result in damage to a device or its equipment.



CAUTION

Safety reference to avoid a potentially hazardous situation which may result in minor or moderate injury.



WARNING

Safety reference to avoid a potentially hazardous situation which could result in death or serious injury.



DANGER

Safety reference to avoid an imminently hazardous situation which may result in death or serious injury.

2.3.1 General safety references



DANGER

Life-threatening voltages inside the frequency inverter housing!



Contact can lead to serious injuries or death.

Never open the FI housing in operation! Switch off the main switch and secure it against being switched on again.

Wait for at least 5 minutes until all capacitors have been discharged!

Before switching on again, close the FI housing.



DANGER

Wrong or insufficient earthing may result in life-threatening electric shocks upon contact with the VARIPACK frequency inverter!



Earth the complete VARIPACK frequency inverter permanently and check the earth contacts at regular intervals!

Prior to any intervention in the device, check all voltage connections for proper insulation.



NOTICE

Risk of frequency inverter failure caused by over-voltage!

Never carry out high-voltage tests or an insulation test on lines in operation, without having disconnected the frequency inverter beforehand from the circuit to be tested!



CAUTION

In operation, the heat sink of the VARIPACK frequency inverter will get hot.



Risk of burns upon contact!

Prior to performing work on the VARIPACK frequency inverter, disconnect the power supply and wait for at least 15 minutes until the heat sink has cooled down.

3 Technical data

VARIPACK frequency inverter

Operating voltage	380 .. 480 V/3/50 Hz $\pm 10\%$, 380 .. 480 V/3/60 Hz $\pm 10\%$. Operation on IT networks on request. To obtain compatibility with this network configuration and the network monitoring installed there, the integrated EMC filters must be deactivated and special external filters must be used. Operation on generators, emergency power unit and networks equipped with power factor correction units only after consultation with BITZER.
Earth fault current	> 10 mA
Enclosure class	Enclosure class – IP20 or Open Type UL and cUL
	Overvoltage category III
Storage	-25°C .. +55°C
Transport	-25°C .. +70°C
Place of installation	<ul style="list-style-type: none"> • Permitted ambient temperature 0°C .. +50°C. From an ambient temperature of 40°C, a decrease in capacity by 2% per degree Celsius (Derating). The selection in the BITZER SOFTWARE can take this directly into account. • Permitted relative humidity: max. 85%, non-condensing (EN60721-3-3 classes 3K3 and 3C3). • Maximum allowable altitude above sea level: 2000 m. From 1000 m above sea level, a decrease in capacity by 1% per 100 m (Derating). The selection in the BITZER SOFTWARE can take this directly into account. • Environment according to EN60664-4: Pollution degree 1, non-flammable, non-corrosive.
Vibrations	<p>Test according to EN 60068-2-6 (Fc), 10 cycles per axis on each of three mutually perpendicular axes</p> <ul style="list-style-type: none"> • 10 Hz < f < 57 Hz sinusoidal 0.075 mm amplitude. • 57 Hz < f < 150 Hz sinusoidal 1 g.
Safe Torque Off (STO)	Safe Torque Off is a safety function for the electrical power drive, see chapter Safe Torque Off (STO), page 24.
EMC	The compressor with frequency inverter (FI) meets the EU EMC directive 2014/30/EU see chapter Electromagnetic compatibility (EMC), page 22.

The selection and assignment of the VARIPACK frequency inverters to the BITZER reciprocating com-

pressors is done by means of the BITZER SOFTWARE under the ACCESSORIES button.

Type	Enclosure	Weight	Rated output current	Power (at 400 V)	Special features	CE compliances / certificates					Fan rating(s)	
		kg	A	kW	C2 EMC filter	STO	CE	UL ^①	cUL ^①	cTick	m ³ /h	cfm
FDU+6	D	4.5	5.5	2.2	Integrated	✓	✓	✓	✓	✓	---	---
FDU+12	D	4.5	12	5.5	Integrated	✓	✓	✓	✓	✓	45	27
FEU+16	E	6.8	16	7.5	Integrated	✓	✓	✓	✓	✓	56	33
FEU+24	E	6.8	23	11	Integrated	✓	✓	✓	✓	✓	56	33
FGU+32	G	10.0	32	15	Integrated	✓	✓	✓	✓	✓	2x45	2x27
FGU+38	G	10.0	38	18	Integrated	✓	✓	✓	✓	✓	2x45	2x27
FHU+45	H	22.3	45	22	Integrated	✓	✓	✓	✓	✓	2x89	2x53
FHU+60	H	22.3	60	30	Integrated	✓	✓	✓	✓	✓	2x89	2x53
FHU+73	H	22.3	73	37	Integrated	✓	✓	✓	✓	✓	2x89	2x53
FJU+87	J	42.8	87	45	Integrated	✓	✓	✓	✓	✓	2x45	2x27
FJU+105	J	42.8	105	55	Integrated	✓	✓	✓	✓	✓	2x89	2x53
FJU+145	J	42.8	145	75	Integrated	✓	✓	✓	✓	✓	2x89	2x53
FKU+180	K	89.0	180	90	External*	✓	✓	---	---	✓	3x133	3x80
FKU+205	K	89.0	205	110	External*	✓	✓	---	---	✓	3x133	3x80
FKU+260	K	89.0	260	132	External*	✓	✓	---	---	✓	3x133	3x80

①: Only for switch cabinet mounting.

* External EMC filter for C2 EMC limit: Part number: 347 955 02, Designation: 3359-250-28

Tab. 1: Technical data, compliances and fan ratings

3.1 Modular design of the VARIPACK frequency inverter

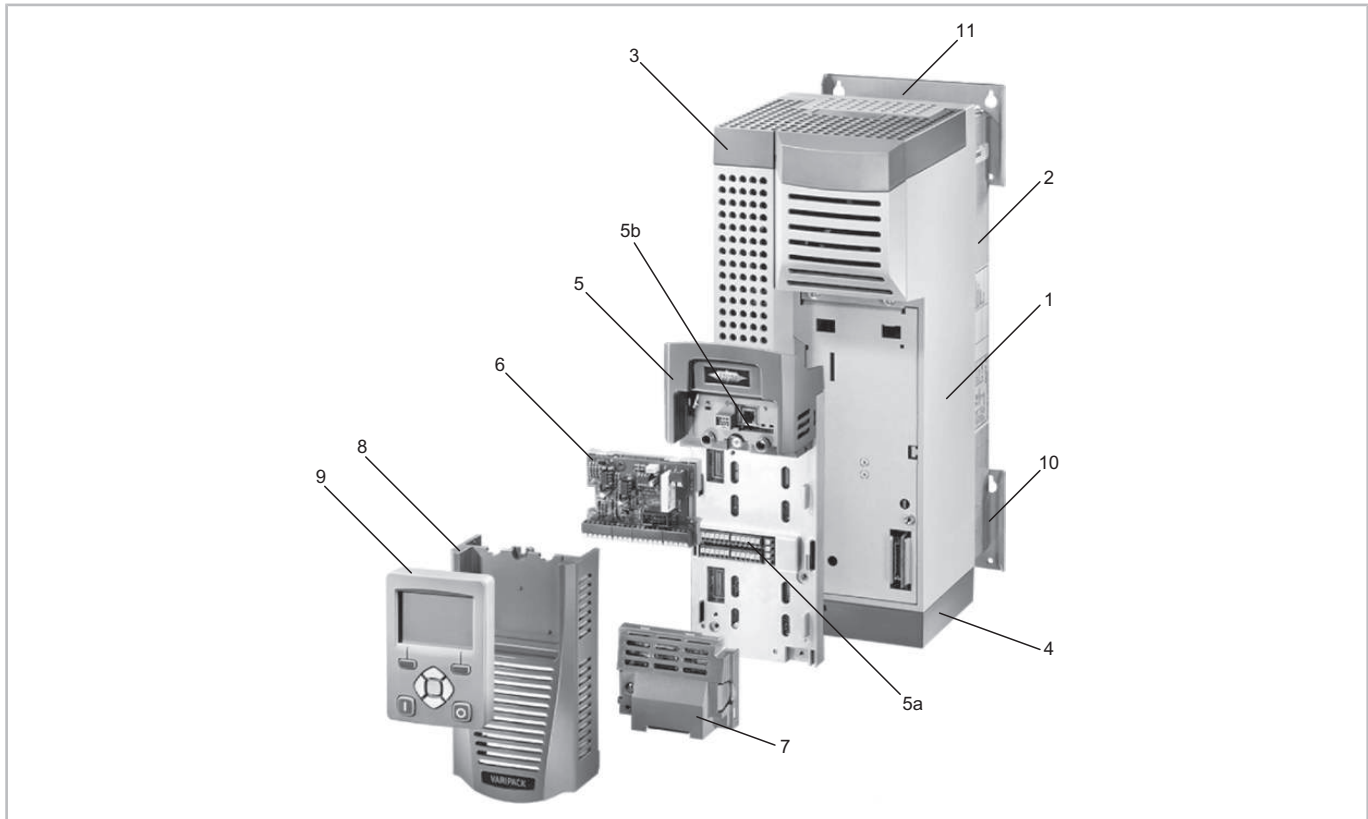


Fig. 1: Modular design of the VARIPACK frequency inverter

1	Power stack	2	Heat sink
3	Upper housing cover	4	Lower housing cover
5	Control module with 5a: Terminal strip 5b: SD card slot	6	Extension kit for pressure control (option)
7	Interface extension with real-time clock	8	Control module cover
9	Removable control panel (with display and keypad) (option)	10+11	Fixing plates

4 Mounting



Information

Mount the VARIPACK frequency inverter always vertically.

The fixtures for the power cables and control cables are delivered as standard in the accessories kit and must be mounted together with the ferrite core or the ferrite cores (see figure 11, page 18) up to VARIPACK housing size FJU+145, in order to achieve the EMC class C2 according to EN61800-3.

4.1 Transport and storage



NOTICE

Risk of damage to the VARIPACK frequency inverter!

Do not lift or set down the VARIPACK frequency inverter at the connections.

Place it on clean, flat and dry surfaces only.

Storage in well-ventilated places and protected from high temperatures, moisture, dust and metal particles only!

Storage temperature: $-25^{\circ}\text{C} \dots +55^{\circ}\text{C}$.

Transport temperature: $-25^{\circ}\text{C} \dots +70^{\circ}\text{C}$.

4.2 Ventilation



NOTICE

The VARIPACK frequency inverters give off heat in operation.

Insufficient or blocked air circulation and air supply at the ventilation slots and at the heat sink of the VARIPACK frequency inverter can lead to failure due to overheating!

Observe the minimum clearances for ventilation (see figure 2, page 7)!

When two or more VARIPACK frequency inverters are mounted side by side, add up the clearances!

When using filter fans, the required air volume flow (m^3/h) must be carefully determined to ensure sufficient cooling of all electrical devices in the switch cabinet. For protection from temperatures below 0°C and for avoiding condensation, a switch cabinet heater may be required, depending on the installation site and the climatic conditions.

Rated values of the VARIPACK fans, see table 1, page 5.

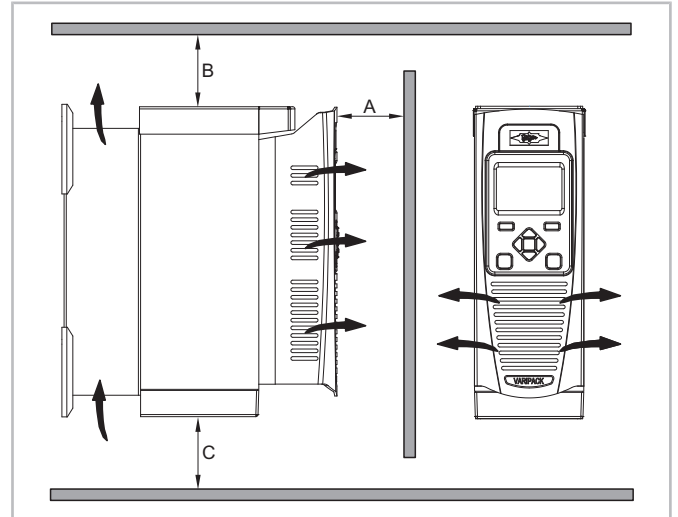


Fig. 2: Minimum ventilation clearances at switch cabinet mounting and through-switch cabinet mounting

Types	Minimum ventilation clearances		
	A	B	C ①
	mm	mm	mm
FDU+6 .. FHU+73	10	75	75
FJU+87 .. FKU+260	10	100	100

Tab. 2: Minimum ventilation clearances at switch cabinet mounting and through-switch cabinet mounting

①: Minimum ventilation clearance without taking into account free space for cables.

4.3 Switch cabinet mounting

The VARIPACK frequency inverter is mounted in the switch cabinet using the fixing plates.

FDU+6 .. FHU+73

The alternative bores, arranged at a spacing of 15 mm, can be used to move the fixing plates upwards or downwards.

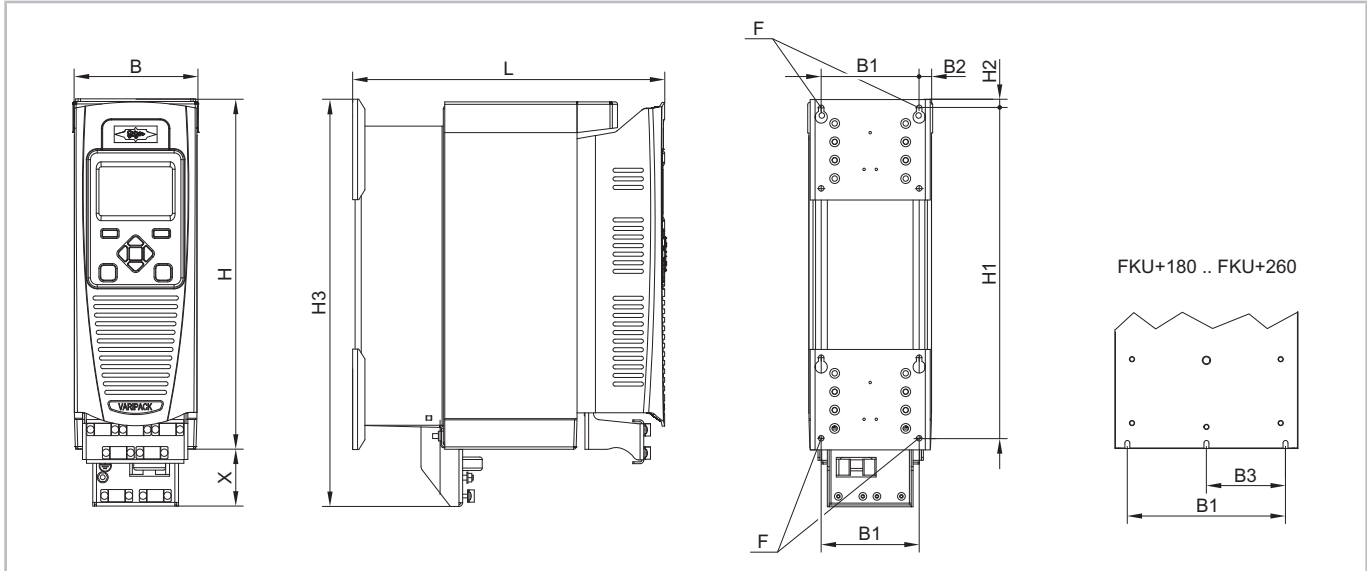


Fig. 3: Dimensional drawing FDU+6 .. FKU+260 for switch cabinet mounting (drawing shows FDU with optional control panel)

	B	B1	B2	B3	F	H	H1	H2	H3	L	X
	mm	mm	mm	mm		mm	mm	mm	mm	mm	mm
FDU+6, FDU+12	100	80	10	---	M4	286	270	7	332	255	46
FEU+16, FEU+24	125	100	13	---	M4	333	320	7	398	255	62
FGU+32, FGU+38	150	125	13	---	M4	383	370	7	455	255	72
FHU+45 .. FHU+73	220	190	13	---	M5	480	465	7	588	287	108
FJU+87 .. FJU+145	260	220	20	---	M6	670	650	10	870	316	200
FKU+180 .. FKU+260	330	285	23	143	M8	800	780	10	1055	374	255

4.4 Through-switch cabinet mounting (option)

When mounted by through-switch cabinet mounting, the heat sink (of enclosure class IP54) of the VARIPACK frequency inverter is outside the switch cabinet.

Thus,

- a smaller switch cabinet can be used since a large portion of the heat generated by the VARIPACK frequency inverter is dissipated outside the switch cabinet.
- the ventilation of the switch cabinet can be reduced to a minimum.
- the VARIPACK frequency inverter can be kept clean and dry more easily.

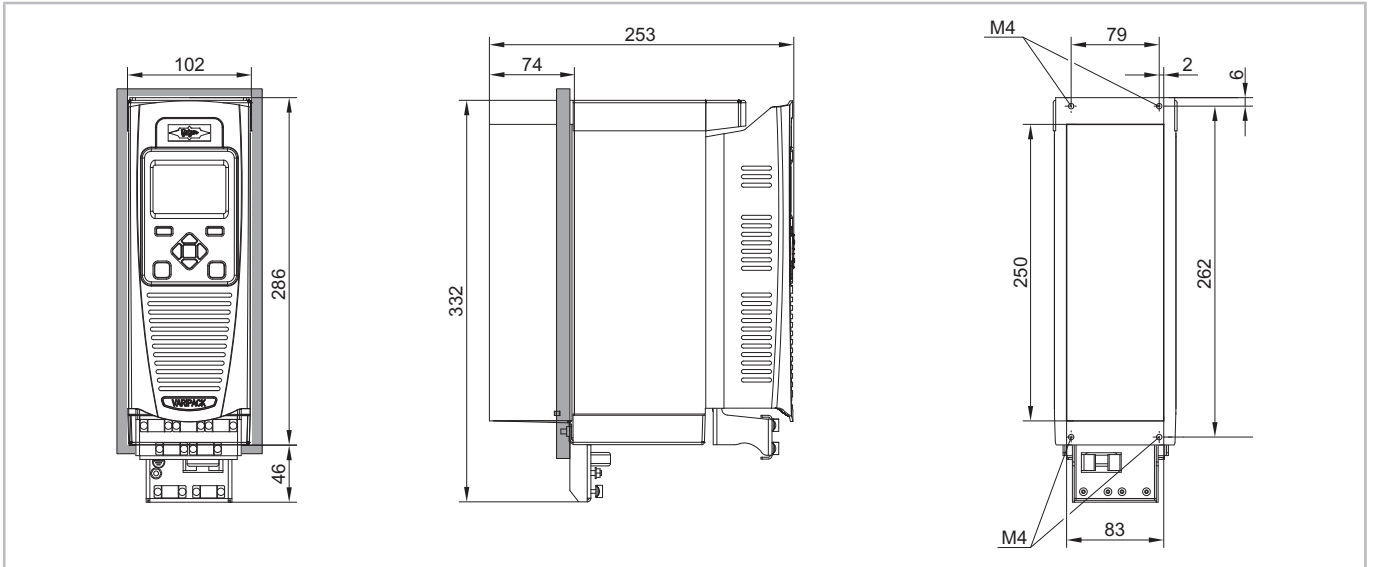


Fig. 4: Dimensional drawing FDU+6, FDU+12 for through-switch cabinet mounting (with optional control panel)

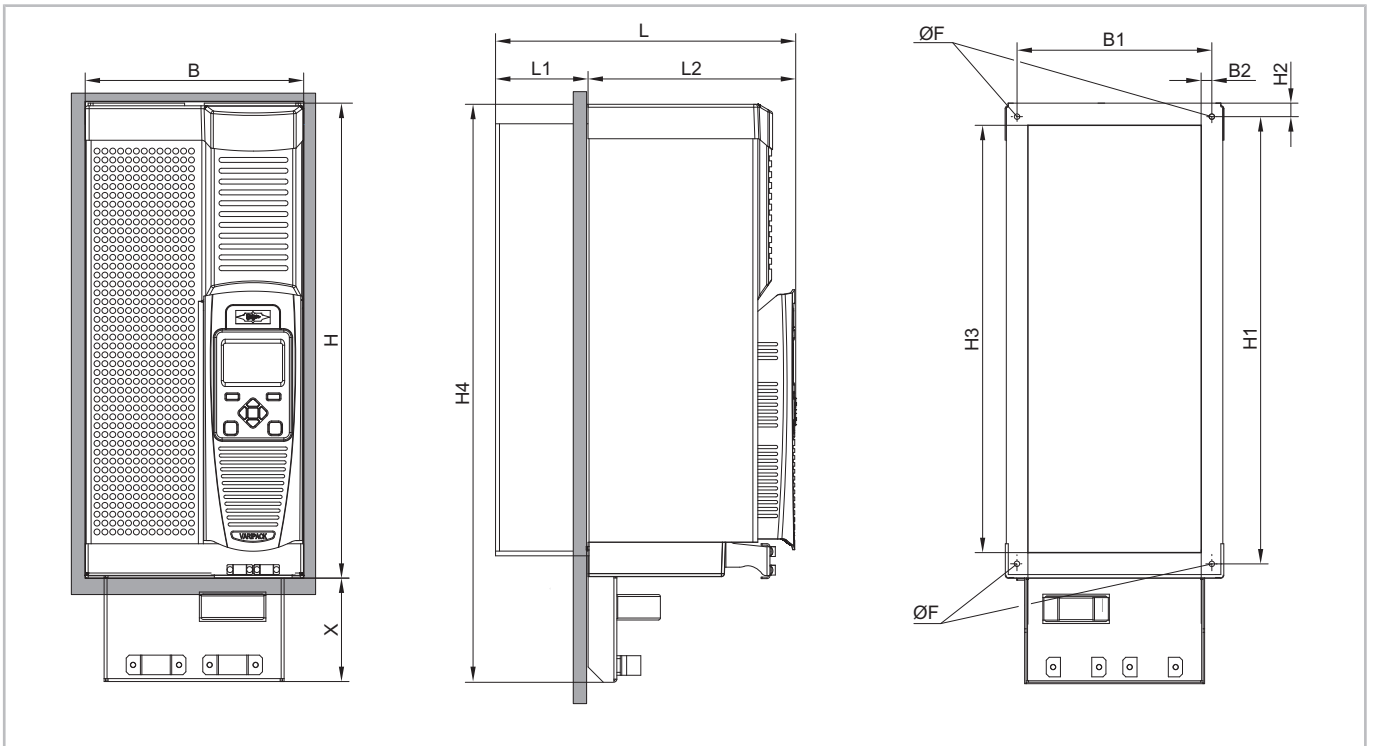


Fig. 5: Dimensional drawing FEU+16 .. FHU+73 for through-switch cabinet mounting (with optional control panel)

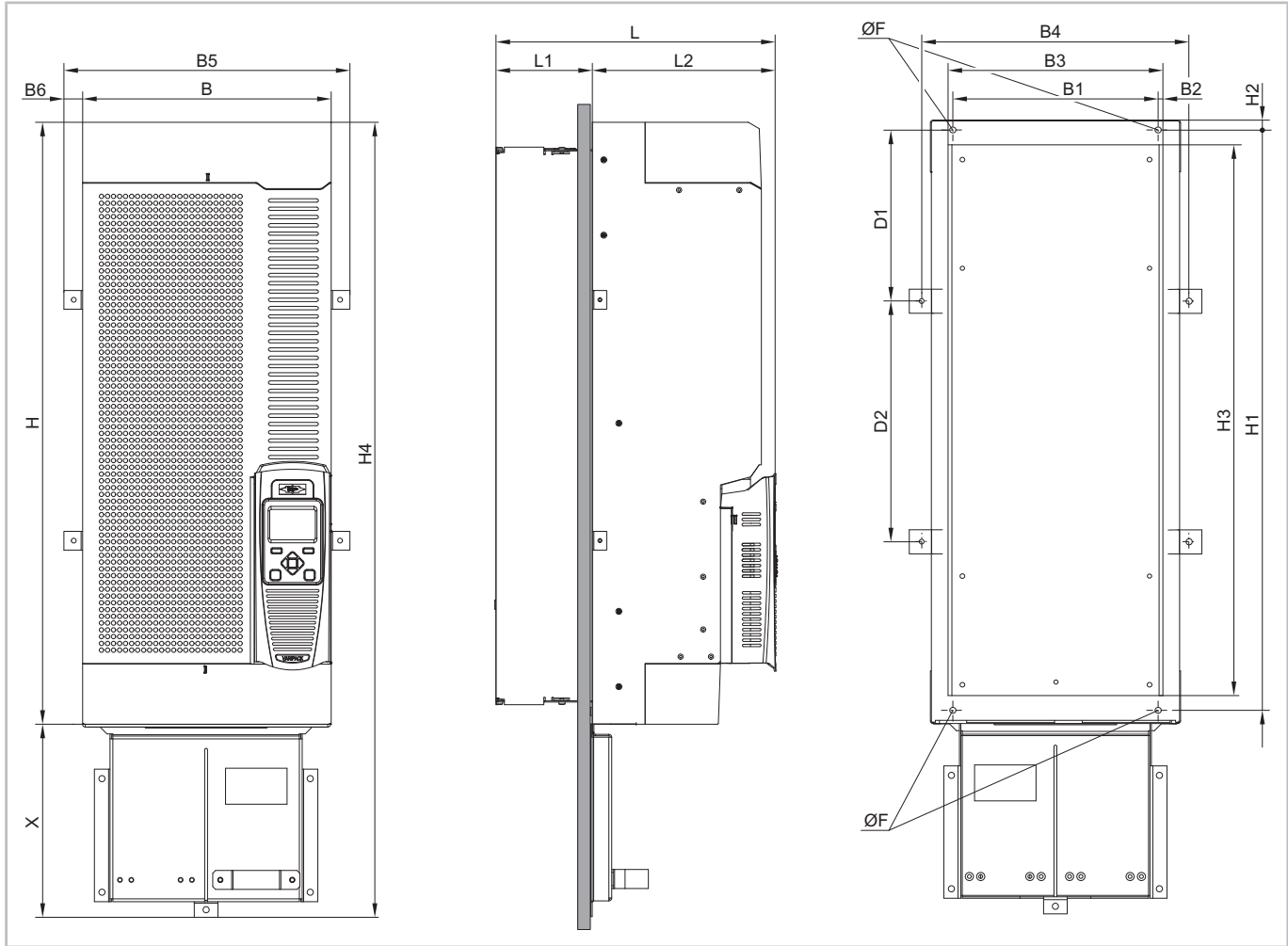


Fig. 6: Dimensional drawing FJU+87 .. FKU+260 for through-switch cabinet mounting (with optional control panel)

	B	B1	B2	B3	B4	B5	B6	D1	D2	F
	mm	mm	mm	mm	mm	mm	mm	mm	mm	
FEU+16, FEU+24	125	104	1	102	---	---	---	---	---	M4
FGU+32, FGU+38	150	129	1	127	---	---	---	---	---	M4
FHU+45 .. FHU+73	220	196	1	195	---	---	---	---	---	M5
FJU+87 .. FJU+145	260	218	5	227	292	312	26	208	220	M6
FKU+180 .. FKU+260	330	275	13	300	360	380	26	219	320	M8

	H	H1	H2	H3	H4	L	L1	L2	X
	mm	mm	mm	mm	mm	mm	mm	mm	mm
FEU+16, FEU+24	336	309	6	297	398	253	72	181	62
FGU+32, FGU+38	383	359	6	347	455	253	72	181	72
FHU+45 .. FHU+73	480	456	12	440	588	287	95	192	108
FJU+87 .. FJU+145	670	641	15	617	870	310	99	211	200
FKU+180 .. FKU+260	800	765	10	745	1055	374	128	246	255

4.4.1 Mounting work for through-switch cabinet mounting

Graphical explanations, see figure 7, page 12 and see figure 8, page 13.

- Unscrew the fixing plates.
- Dismount the upper (A) and lower (B) housing covers.

Dismounting the upper housing cover:

FDU+6 and FDU+12:

To allow the upper housing cover to be slid forward and dismantled, with these types the control module must be dismantled (see figure 7, page 12).

Dismounting the control module (see figure 7, page 12):

1. First pull the control panel forward and take it off.
 2. Unscrew the screw in the centre of the control module, slide the control module cover slightly downward and take it off.
 3. Unscrew the captive screw and slightly lift the control module at the lower edge.
 4. Slide the control module upward as far as it will go and then take it off the frequency inverter.
- Now compress the plastic clip under the upper housing cover (A). This will open the lock.
 - Slide the cover forward and take it off.

FEU+16 .. FKU+260:

With these types, the control module does not need to be dismantled, in order to take off the housing cover (see figure 8, page 13).

- Introduce a screwdriver far into the slot of the upper housing cover (A) and press the clip towards the right. This will open the lock.
- Next, slide the housing cover downward.

Dismounting the lower housing cover:

To allow the lower housing cover to be slid forward and dismantled, with some types the control module must be dismantled first.

Dismounting the control module (see figure 7, page 12):

1. First pull the control panel forward and take it off.
 2. Unscrew the screw in the centre of the control module, slide the control module cover slightly downward and take it off.
 3. Unscrew the captive screw and slightly lift the control module at the lower edge.
 4. Slide the control module upward as far as it will go and then take it off the frequency inverter.
- Introduce the screwdriver into the slot of the lower housing cover (B) and press it slightly towards the left. This will open the lock.
 - Next, slide the lower housing cover downward.
 - In the accessories kit: Place the delivered gasket (D) around the frequency inverter in such a way that the free space between the switch cabinet wall (C) and the FI is sealed airtight.
 - Mount the VARIPACK frequency inverter to the switch cabinet wall using 4 fixing screws (E) (see figure 8, page 13).

FGU+32 .. FKU+260:

- With these types, the additional lateral fastening clips must be fixed with screws. They are included in the through-switch cabinet mounting kit.

Then replace upper and lower housing covers or slide them on until the plastic clips lock.



Information

If mounting is continued directly with the electrical connection, the lower housing cover can remain unmounted.

FDU+6 and FDU+12 and all other types in which the control module was dismantled:

- Replace control module and slide it upwards until the clip locks.
- Screw in captive screw.
- Place the control module cover until the clip locks and tighten it.

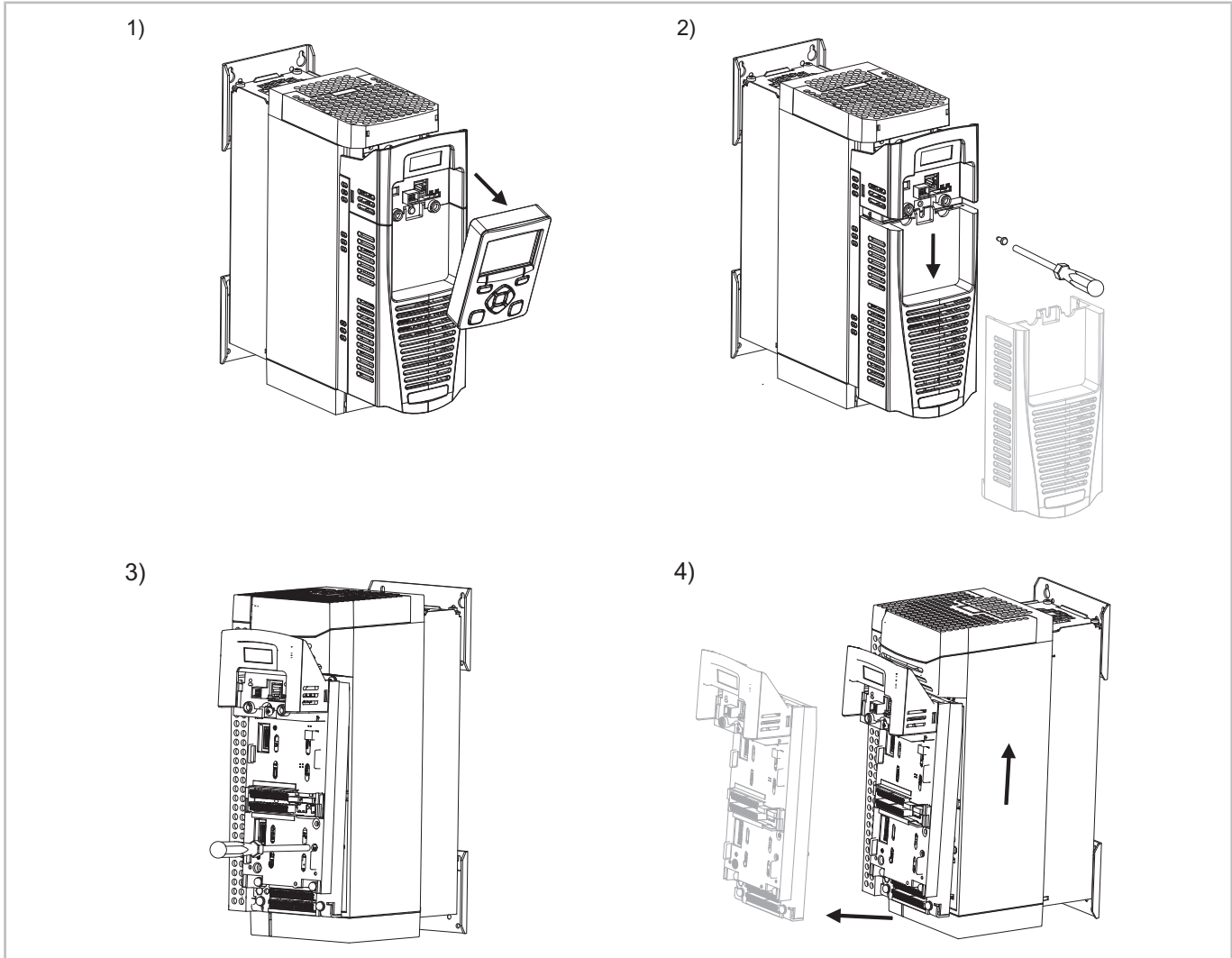


Fig. 7: Dismounting the control module

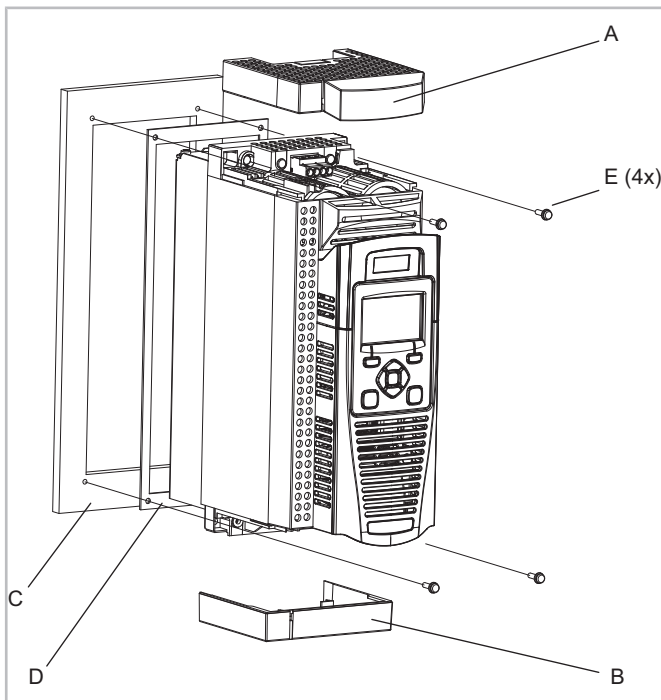


Fig. 8: Detailed view of the through-switch cabinet mounting (example FDU)

A	Upper housing cover
B	Lower housing cover
C	Switch cabinet wall
D	Gasket (in the accessories kit)
E	Fixing screws

4.5 Mounting in machinery room (option)

For free mounting in machinery room, the IP21 kit must be mounted, see chapter Mounting instructions for the IP21 kit, page 14. The exterior dimensions of the VARIPACK frequency inverter will increase accordingly, see figure 9, page 13.

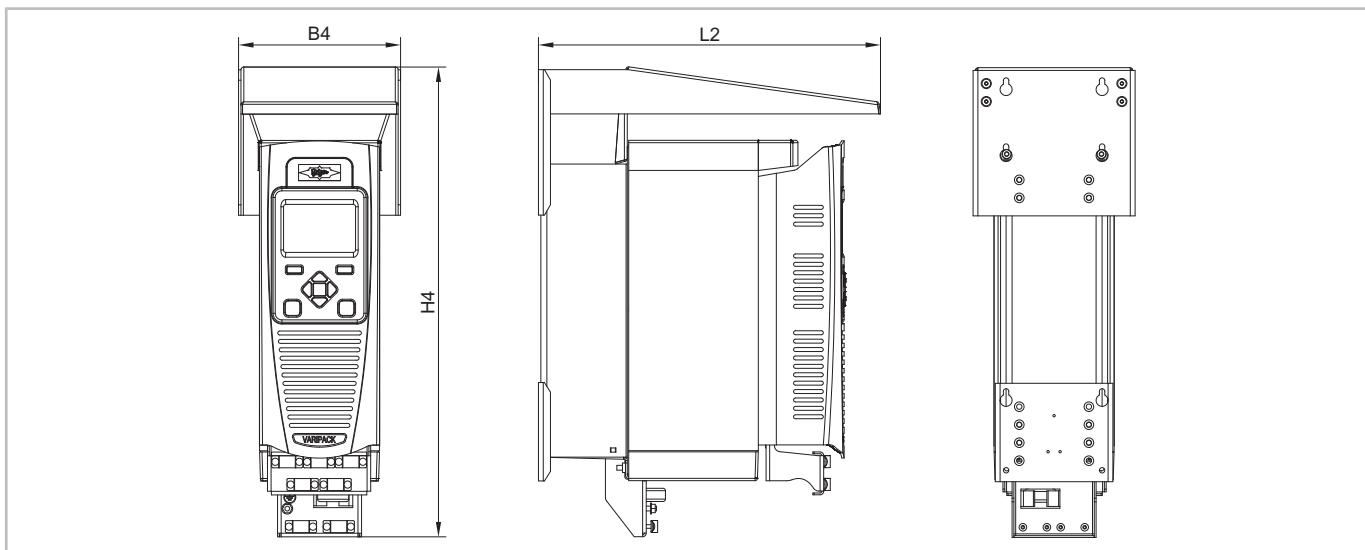
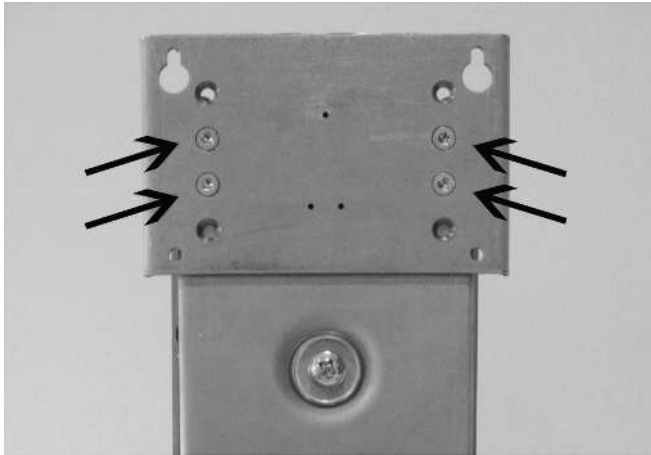


Fig. 9: Dimensional drawings FDU+6 .. FKU+260 with free mounting with IP21 kit (drawing shows FDU with optional control panel)

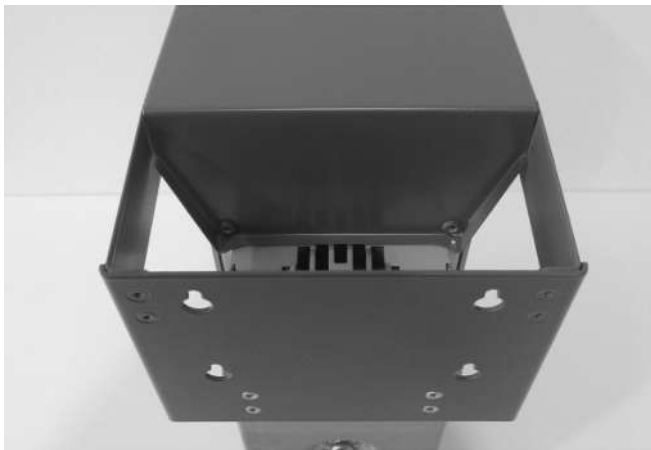
	B4	H4	L2
	mm	mm	mm
FDU+6, FDU+12	135	391	285
FEU+16, FEU+24	160	445	300
FGU+32, FGU+38	215	505	300
FHU+45 .. FHU+73	300	660	355
FJU+87 .. FJU+145	360	940	480
FKU+180 .. FKU+260	450	1160	520

4.5.1 Mounting instructions for the IP21 kit

For the FI types: FDU, FEU, FGU, FHU.



Unscrewing upper plate. To do so, unscrew the 4 marked screws.



Screw down IP21 cover in place of the upper fixing plate.



- To allow the upper housing cover to be slid forward and dismantled, with frequency inverters

FDU the control module must be dismantled (see figure 7, page 12 and see page 11).

- Introduce a screwdriver far into the slot of the upper housing cover and press the clip towards the right. This will open the lock.
- Next, slide the housing cover off.



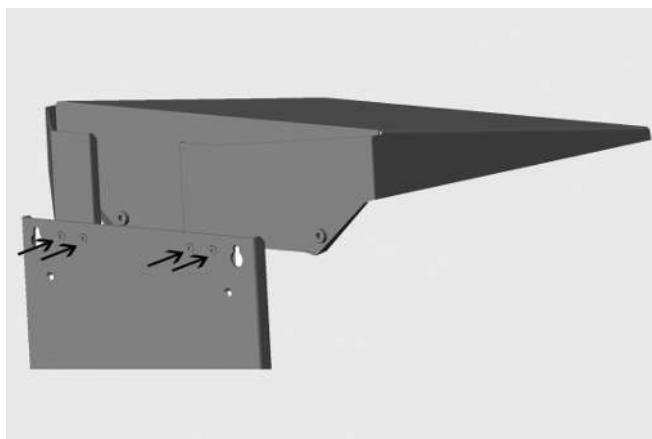
Secure IP21 cover additionally using the screws included in the kit.



Finally replace upper housing cover or slide it on until the plastic clips lock.

For frequency inverters FDU, mount the control module again (see page 11).

For the VARIPACK frequency inverters FJU and FKU.



For these types, the upper fixing plate need not be unscrewed!

Screw the IP21 cover directly to the upper fixing plate. Then proceed in the same manner as for types FDU .. FHU.

4.6 Mounting the fixtures for power cables and control cables

The fixtures for the power cables and control cables are delivered as standard in the accessories kit and must be mounted together with the ferrite core or the ferrite cores (see figure 11, page 18) up to VARIPACK housing size FJU+145, in order to achieve the EMC class C2 according to EN61800-3.

Graphical explanations, see figure 10, page 15.

Mounting the rear fixture for the power cables:

- Remove the lower housing cover (see chapter Through-switch cabinet mounting (option), page 9). If necessary, first the control module must be dismounted (see page 11)
- Place the fixture from behind at the bottom on the two fixing holes and insert the delivered screws from the front and tighten them.
- Replace lower housing cover and, if necessary, mount control module again (see page 11).

Mounting the front fixture for the control cable:

- Remove the control module cover (see chapter Through-switch cabinet mounting (option), page 9).
- Unscrew the interface extension containing the real-time clock. To do so, loosen the captive screw of the interface extension and press the right and left plastic clips towards the inside. This will open the lock.
- Pull out the interface extension towards the front.
- Screw the fixture for the control cable into the now visible right and left fixing holes from the front using the enclosed screws.
- Replace the interface extension until the plastic clips lock and tighten the captive screw.
- Screw down the control module cover again.

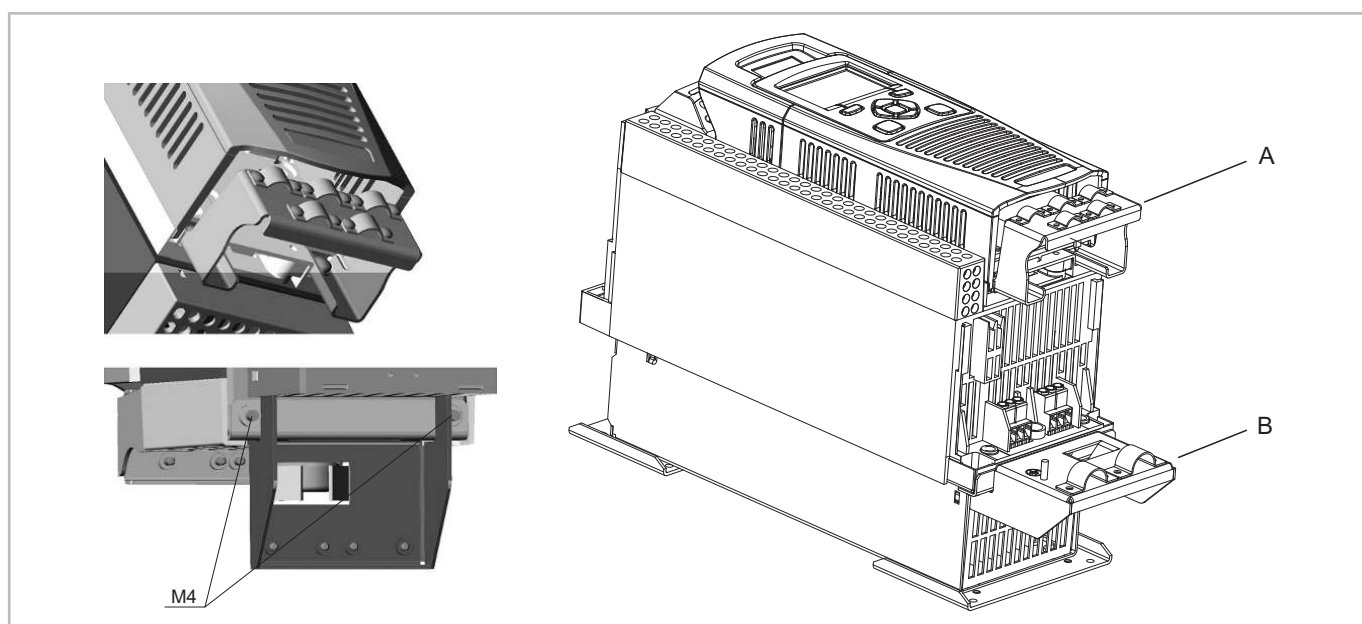


Fig. 10: Mounting the fixtures for power connection cables and control cables using the example of FEU+16 for switch cabinet mounting

A	Front fixture for control cables	B	Rear fixture for power cables
---	----------------------------------	---	-------------------------------

5 Electrical connection

Before performing any work on the electrical system:



DANGER

Life-threatening voltages inside the frequency inverter housing!



Contact can lead to serious injuries or death. Never open the FI housing in operation! Switch off the main switch and secure it against being switched on again.

Wait for at least 5 minutes until all capacitors have been discharged!

Before switching on again, close the FI housing.



DANGER

As soon as the VARIPACK frequency inverter is energized, the capacitors in the FI DC link are charged.



From this moment on, all electrical components in the VARIPACK frequency inverter present risks!

The operation of the VARIPACK frequency inverter requires the following electrical connections:

- VARIPACK earth connection.
- VARIPACK power connections (power cable and motor cable).
- VARIPACK control connections.

For the selection of the cable diameters, fuses and tightening torques of the earth and power connections, see table 3, page 16. Use fuses of type gL/gG or mount thermal overload switch of the appropriate characteristic.

Type	Rated input current	Minimum .. Maximum cable diameters and tightening torques (in Nm)				Fuses	
		Power connections		Earth connections		Max. rated fuse current (A)	
	A		Nm		Nm	Stand-ard	UL, cUL (type)
FDU+6	7.6	0.05 .. 6 mm ²	0.56 .. 0.8	M4	1.8	10	10 (Class J)
FDU+12	10.6			Ring cable lug		16	20 (Class J)
FEU+16	14.5			20		25 (Class J)	
FEU+24	20.4			25		30 (Class J)	
FGU+32	28.5	1 .. 10 mm ² (16 mm ² with cable connector)	1.35	M4	1.8	32	40 (Class J)
FGU+38	33.5			Ring cable lug		40	50 (Class J)
FHU+45	40	1.3 .. 25 mm ²	2.0	M5	3.6	63	60 (Class J)
FHU+60	54.7			Ring cable lug		80	80 (Class J)
FHU+73	66.2			100		100 (Class J)	
FJU+87	78.8	Pin M8 for cable lugs or wire end sleeves up to a length of 26.5 mm (min. 25 mm ²)	20	M8	20	125	125 (A50QS-125-4)
FJU+105	95.8			Ring cable lug		160	150 (A50QS-150-4)
FJU+145	130			200		200 (A50QS-200-4)	
FKU+180	160	Pin M8 for cable lugs or wire end sleeves up to a length of 32 mm (min. 25 mm ²)	20	M8	20	250	250 (A50QS-250-4)
FKU+205	198			Ring cable lug		315	300 (A50QS-300-4)
FKU+260	236			400		350 (A50QS-350-4)	

Tab. 3: Cable diameters, tightening torques and fuses

5.1 Earth connection

EN 61800-5-1 (product standard for adjustable speed electrical power drive systems) and DIN EN 50178 DIN VDE 0160 (Electronic equipment for use in power installations) have special earth requirements as soon as an earth leakage current of 3.5 mA is exceeded.

- The protective earth conductor cross-section for the line conductors (L1, L2, L3) $< 16\text{mm}^2$ must, in single wire, be 10mm^2 or must have two wires with the respective phase cross-section each.
- For line conductors (L1, L2, L3) $\geq 16\text{mm}^2$ and $\leq 35\text{mm}^2$, the protective earth conductor must have a cross section of 16mm^2 .
- For line conductors (L1, L2, L3) $> 35\text{mm}^2$, the protective earth conductor cross-section must be at least 50% of that of the phases used (L1, L2, L3).

All exposed metal parts in the VARIPACK frequency inverter are protected with a basic insulation and connected to the protective earth conductor.



WARNING

The VARIPACK frequency inverters can generate a direct current in the protective earth conductor.



Risk of electric shock upon contact!

Wherever a residual current device (RCD) or a residual current monitoring device (RCM) is used for protection against direct or indirect contact, only a RCD or RCM of type B (according to IEC/EN 60755) is permitted on the power supply side!

Residual current circuit breakers (RCD or FI switch)

- Use only FI circuit breakers (RCD) sensitive to all types of currents of type B that are capable of also detecting residual direct currents.
- Select the RCD with respect to the system configuration and environmental conditions.

5.2 Power connections (voltage supply cable and motor cable)



DANGER

Wrong or insufficient earthing may result in life-threatening electric shocks upon contact with the VARIPACK frequency inverter!



Earth the complete VARIPACK frequency inverter permanently and check the earth contacts at regular intervals!

Prior to any intervention in the device, check all voltage connections for proper insulation.

Graphical explanations, see figure 11, page 18.

- Guide voltage supply cable and motor cable through the intended cable entries under the cable clips into the VARIPACK frequency inverter (see figure 11, page 18) and connect to the power terminals. Observe the tightening torques of the terminals (see table 3, page 16).
 - Connect the voltage supply cable to the terminals L1, L2, L3 and the protective earth conductor.
 - Connect the motor cable to the terminals U(M1), V(M2), W(M3) and the protective earth conductor.
 - Observe the information regarding electromagnetic compatibility (EMC) (see chapter Electromagnetic compatibility (EMC), page 22)!
- As standard, the VARIPACK frequency inverters are equipped with a shut-off function, the Safe Torque Off (STO). Due to the STO function, the main contactor before or after the VARIPACK frequency inverter may be omitted (see chapter Schematic wiring diagrams semi-hermetic reciprocating compressors, page 26). For further information on the STO function, see chapter Safe Torque Off (STO), page 24.

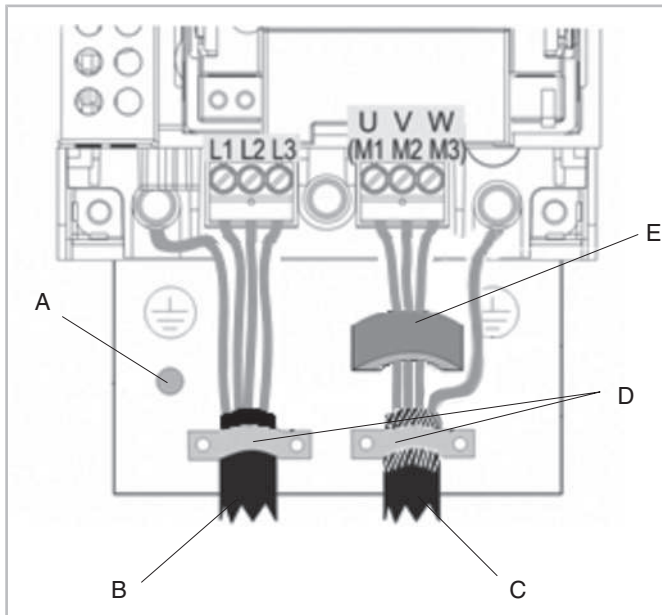


Fig. 11: Power connections (voltage supply cable and motor cable) with fixture

A	Earth connection	B	voltage supply cable / terminals for nominal supply voltage
C	Motor cable / motor terminals	D	Cable clips
E	Ferrite core		

5.3 Control connections (inputs and outputs)

i Information
To meet the EMC and safety requirements, the control module must be connected to the protective earth conductor outside the device!

i Information
The entire external wiring must be approved for maximum system voltage!
All control and signal terminals guarantee safety extra low voltages (SELV), i.e., they are protected by double insulation.

Specification of the control connections:

- Cables completely without or with non-insulated wire end sleeves: 0.25 .. 1.5 mm².
- Cables with insulated wire end sleeves: 0.25 .. 0.75 mm².

Digital inputs

- Function
 - X13: 2: DI1 (Start)

Compressor start command.

- X13: 3: DI2 (Force)

Operation of the compressor at a minimum frequency of 50 Hz.

- X13: 4: DI3 (p01 → 2)

External control: without function.

With extension module: Switch over from evaporation temperature setpoint 1 to 2.

- X12: 1: DI4 (pc1 → 2)

External control: without function.

With extension module: Switch over from condensing temperature setpoint 1 to 2.

- X12: 2: DI5 (Reset)

Reset of faults.

- X12: 3: DI6 (Detection)

Automatic detection of the extension module.

- Technical data

- Status:
 - Off: 0 .. 5 V DC
 - Undefined: 5 .. 15 V DC
 - On: 15 .. 24 V DC
- Max. input voltage: ± 30 V DC
- Input impedance: 3,3 kΩ.
- Input current: 7.3 mA ± 10% at 24 V DC
- Common on X10:4

Analogue inputs

- Function
 - X11: 1: AI1 (mA / p0)
 - External control: Setpoint as 4 .. 20 mA signal.
 - X10: 2: Common
 - With extension module: Input for low pressure coming from the extension module (→X11:1)
 - X11: 2: AI2 (V / pc)
 - External control: Setpoint as 0 .. 10 V signal
 - X10: 2: Common
 - With extension module: Input for high pressure coming from the extension module (→X11:2)

- Technical data

- Input signal: 0 .. 10 V or 4 .. 20 mA

- Max. input current: < 25 mA (current signal)
- Max. input voltage: ± 24 V DC (voltage signal)
- Input impedance:
Voltage range: 22 k Ω
Current range: 120 Ω

Digital outputs

- Function
 - X12: 4: DO3 (Comp. 2)
External control: without function.
With extension module: Start of the 2nd compressor.
- Technical data
 - Output signal: 24 V DC (minimum 21 V DC)
 - Max. output current: 140 mA.
(The maximum available total current is 140 mA, either individually or as the sum of digital outputs and the + 24 V DC power supply on the user side).

Analogue outputs

- Function
 - X11: 3: AO1 (Fan)
External control: without function.
With extension module: control signal for condenser fan 0 .. 10 V.
 - X11: 4: AO2
Reserve.
- Technical data
 - Output signal: 0 .. 10 V.
 - Max. output current: 10 mA, with short-circuit protection.
 - Output impedance: Voltage range ≥ 1 k Ω .

Relays

- Function
 - X14: 1: Relay 1A \rightarrow X14: 2: Relay 1B
Compressor is ready to operate.
 - X14: 3: Relay 2A \rightarrow X14: 4: Relay 2B
Compressor is running (factory setting) or no error can be configured via the parameter logic of output DO1.

- Technical data
 - Potential-free relay.
 - Switching current range: 1 mA to max. 3 A of resistive load
 - Switching voltage range: 5 V AC to max. 250 V AC or 30 V DC
 - Protection against inductive or capacitive loads must be provided by external measures.



Information

The STO inputs must be activated to allow the compressor to start!

STO (input circuit)

- Function (see chapter Safe Torque Off (STO), page 24)
 - X10: 1: Input A and X10: 3: Input B.
STO inputs (Safe Off Torque).
Inputs must be switched simultaneously.
 - X10: 2: Common and X10: 4: Common.
Terminals are connected internally. Thus, only one cable core is required.
- Technical data
 - Typical input current at 24 V: 9 mA
 - Status:
Off (recommended): 0 .. 5 V DC
Undefined: 5 .. 21,6 V DC
On (recommended): 21.6 .. 26.4 V DC
 - Max. input voltage: ± 30 V DC

STO status

- Function (see chapter Safe Torque Off (STO), page 24)
 - X10: 5 status A \rightarrow X10: 6: Status B
This output is active (closed), if the STO circuit is in the safe state, i.e., if the FI does not allow the motor to produce a torque.
- Technical data
 - Potential-free semiconductor relay.
 - Max. voltage: ± 30 V.
 - Max. output current: 150 mA.
 - Thermal overload protection integrated.
 - Resistance between the output terminals: < 6 Ω .

5.4 Operating modes

The VARIPACK frequency inverter can be operated in two different operating modes:

- Capacity control of the compressor depending on an external setpoint signal (see chapter Capacity control of the compressor depending on an external setpoint signal, page 20).
- Capacity control of the compressor depending on the evaporation pressure, which will require the optional extension module for pressure control (see chapter Capacity control of the compressor as a function of the evaporation pressure, page 21).

In addition to direct evaporation pressure control, the condenser fan can also be controlled via a 0 .. 10 V output signal and a second compressor can be connected.

5.4.1 Capacity control of the compressor depending on an external setpoint signal

"Min .. Max" control characteristic

The VARIPACK frequency inverters can be activated without change in parameters by a 0 .. 10 V or 4 .. 20 mA signal according to the "Min .. Max" control characteristic.

- In the "Min .. Max" control characteristic, the compressor will start as soon as the DI1 (X13: 2) start command is given. The setpoint signal will control the frequency linearly between the minimum and maximum frequencies of the compressor.
 - If a 0 .. 10 V signal is used, it must be connected to the input AI2 (X11: 2).
 - If a 4 .. 20 mA signal is used, it must be connected to the input AI1 (X11: 1).

Graphical explanation of the "Min .. Max" control characteristic, see figure 12, page 20.

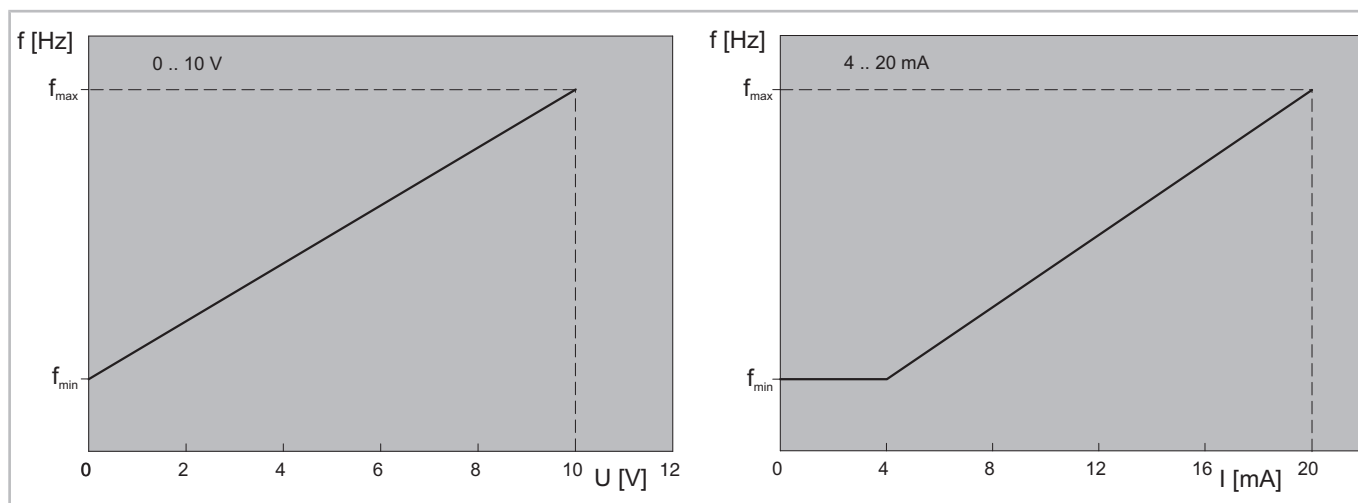


Fig. 12: "Min .. Max" control characteristic

"0 .. Max" control characteristic

Alternatively, the "Min .. Max" control characteristic can be switched to "0 .. Max" by a change in parameter.

- In the "0 .. Max" control characteristic, in addition to the DI1 (X13: 2) start command, a setpoint signal of > 1% (0.1 V) is required for starting the compressor.

The setpoint signal presets the frequency to a value between 0 Hz and the maximum frequency. If the signal is > 1% but lower than the minimum frequency of the compressor, the compressor will run at the minimum frequency.

Graphical explanation of the "0 .. Max" control characteristic, see figure 13, page 21.

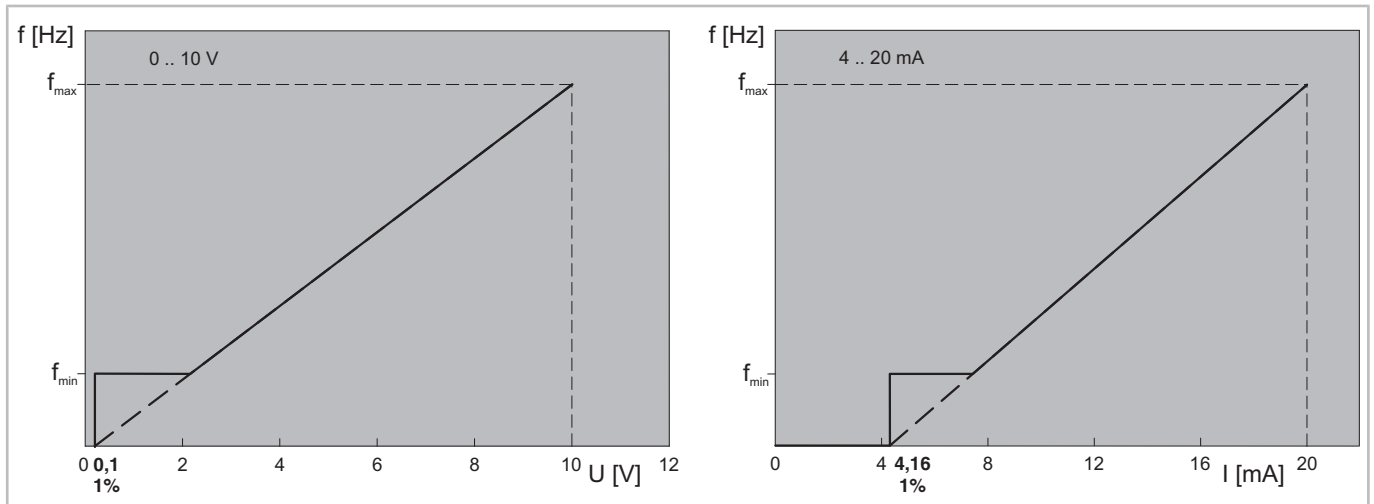


Fig. 13: "0 .. Max" control characteristic

5.4.2 Capacity control of the compressor as a function of the evaporation pressure

To control the capacity of the compressor as a function of the evaporation pressure will require the optional extension module for pressure control.

Installation of the extension module kit (part number 347 972 01):

- Plug the extension module into the top slot of the FI control module and tighten the screw.
- Ratiometric pressure transmitter
 - Install the pressure transmitter labelled "2CP5-71-49" on the low pressure side.
 - Install the pressure transmitter labelled "2CP5-71-47" on the high pressure side.
 - In the case of Schrader valves, install the pressure transmitters without a copper gasket ring to ensure safe opening.

For the wiring of the extension module, see chapter Schematic wiring diagrams semi-hermetic reciprocating compressors, page 26.

Function and technical data of the extension module

- X1: 1, 2 and 3

- Input for ratiometric low pressure transmitter.
- Correct function is indicated by blue LED.
- X1: 4, 5 and 6
 - Input for ratiometric high-pressure transmitter
 - Correct function is indicated by red LED.
- X2: 1
 - Analogue output for transmitting the low-pressure value to the FI (X11: 1: AI1).
- X2: 2
 - Analogue output for transmitting the high-pressure value to the FI (X11:2: AI2).
- X3: 1
 - Input for 24 V DC power supply coming from the FI (X12: 5).
- X3: 2, 3, 4, 5 and 6
 - 24 V = outputs.
 - Allow simple wiring of the digital inputs of the frequency inverter.
- X4: 4

- Digital output for automatic detection of the extension module by the frequency inverter (X12: 3: DI6).
- X4: 5
 - Digital input for receiving the start command for the 2nd compressor of frequency inverter (X12: 4: DO3).
 - Switches the relay X5.
- X5: 1 and 2
 - Potential-free relay for starting the 2nd compressor.
 - Max. voltage: 250 V AC.
 - Protection from inductive or capacitive loads must take place by external measures.
 - Max. current: 6 A of resistive load.

5.5 Electromagnetic compatibility (EMC)

For an overview, see figure 14, page 23.

The VARIPACK frequency inverters comply with the EU EMC directives 2014/30/EU and 2004/108/EC.

Interference immunity:

- EN61000-6-1:2007, Immunity for residential, commercial and light-industrial environments.
- EN61000-6-2:2005, Immunity for industrial environments.

The emission of the frequency inverters is regulated by the product standard EN61800-3, which distinguishes between categories C1 – C4. Compared with the generic standards, according to EN61800-3:2004, the category C2 corresponds to EN61000-6-4:2007+A1: 2011. The category C3 is not transferable. The text below only refers to C categories.

General EMC requirements for meeting category C2:

- Use of a shielded cable between FI and motor (motor cable), see figure 11, page 18.
 - Connect shield on both sides.
 - Use a compressor terminal box made of metal and a screwed EMC cable gland.
 - Guide the shield in the switch cabinet to the VARIPACK and connect it to the cable fixture of the VARIPACK.

- The motor cable
 - should not cross other cables. If it does, crossovers must be made at a 90° angle!
 - should be installed separately from the supply line and the control lines, if possible. If a parallel installation is unavoidable, maintain a clearance of at least 0.25 m.

Detailed information on the harmonics see chapter Analysis of the harmonics FDU+6 .. FKU+260, page 23.



WARNING

Possible high-frequency EMC interferences of the voltage supply system! FDU+6 .. FEU+16 are classified as professionally used device according to EN61000-3-2:2014. Before connecting them to the public low-voltage supply network, approval from the energy supply company must be obtained.



Information

FEU+24 - FKU+260 meet all requirements of the standard EN61000-3-12:2011 (see figure 14, page 23).

FDU+6 .. FJU+145:

- are equipped as standard with an integrated EMC filter for category C2.
 - However, for some types, a metal switch cabinet with attenuation must be used, to ensure that the limit values of the radiated interferences are not exceeded (see figure 14, page 23).

If the EMC requirements of category C3 are sufficient, the line length between FI and motor may be up to 50 m. In this case, it will not be necessary to use a special switch cabinet either.



WARNING

Radio frequency interferences in the voltage power network possible! In a residential environment, this drive constellation may cause radio frequency interferences which may require mitigation measures.

FKU+180 .. FKU+260:

- are equipped with an integrated EMC filter for category C3. To fulfil category C2, the external EMC filter, part number 347 955 02, designation 3359-250-28, is required at the input of the frequency inverter.



WARNING

Without the use of an external EMC filter, high-frequency interferences will occur in the voltage supply system!

This drive constellation is not intended for use in a public low voltage system supplying residential areas.

	FI	FDU	FEU	FGU	FHU	FJU	FKU
	EN 61800-3						
Conducted emissions	Category C1	Specific filter upon request	Specific filter upon request	Specific filter upon request	Unsuitable	Unsuitable	Unsuitable
	Category C2	Motor cable ≤ 10 m	Motor cable ≤ 10 m	Motor cable ≤ 10 m	Motor cable ≤ 10 m	Motor cable ≤ 10 m	Specific filter (3359-250-28)
	Category C3	Motor cable ≤ 50 m	Motor cable ≤ 50 m	Motor cable ≤ 50 m	Motor cable ≤ 50 m	Motor cable ≤ 50 m	Motor cable < 50 m
Radiated emissions	When mounted in a metal switch cabinet with the required attenuation between						
	Category C1	35 .. 100 MHz at 15 dB	35 .. 100 MHz at 5 dB	30 .. 150 MHz at 20 dB	Not applicable	Not applicable	Not applicable
	Category C2	35 .. 100 MHz at 5 dB	No specific switch cabinet required	30 .. 150 MHz at 10 dB	30 .. 1000 MHz at 10 dB	30 .. 1000 MHz at 10 dB	30 .. 1000 MHz at 10 dB
	Category C3	No specific switch cabinet required	No specific switch cabinet required	No specific switch cabinet required	No specific switch cabinet required	No specific switch cabinet required	No specific switch cabinet required

Fig. 14: Overview of the VARIPACK frequency inverter requirements for meeting the different EMC categories

5.5.1 Analysis of the harmonics FDU+6 .. FKU+260

Frequency inverter type	Motor Power (kW)	Typical Motor Efficiency %												Total RMS Current (A)	THD (I) %	
FDU+6	2.2	83	Harmonic No.	1	3	5	7	9	11	13	15	17	19	21	4.92	59.8
			RMS Current (A)	3.946	0.000	2.376	1.636	0.000	0.327	0.354	0.0	0.190	0.167	0.000		
			Harmonic No.	23	25	27	29	31	33	35	37	39	40			
			RMS Current (A)	0.130	0.107	0.000	0.097	0.079	0.000	0.076	0.063	0.000	0.000			
FDU+12	5.5	83	Harmonic No.	1	3	5	7	9	11	13	15	17	19	21	10.47	37.8
			RMS Current (A)	9.694	0.001	3.313	1.745	0.000	0.814	0.558	0.000	0.472	0.349	0.000		
			Harmonic No.	23	25	27	29	31	33	35	37	39	40			
			RMS Current (A)	0.320	0.253	0.000	0.233	0.193	0.000	0.176	0.151	0.000	0.000			
FEU+16	7.5	83	Harmonic No.	1	3	5	7	9	11	13	15	17	19	21	14.27	44.2
			RMS Current (A)	12.801	0.002	5.284	3.010	0.000	1.065	0.769	0.000	0.604	0.433	0.000		
			Harmonic No.	23	25	27	29	31	33	35	37	39	40			
			RMS Current (A)	0.406	0.306	0.000	0.295	0.234	0.000	0.224	0.185	0.000	0.000			

Fig. 15: Table for the analysis of the harmonics FDU+6 .. FEU+16

FDU+6 .. FEU+16 are classified as professionally used device according to EN61000-3-2:2014.

Frequency inverter type	FEU+24	FGU+32	FGU+38	FHU+45	FHU+60	FHU+73	FJU+87	FJU+105	FJU+145	FKU+180	FKU+205	FKU+260
Motor Power (kW)	11	15	18.5	22	30	37	45	55	75	90	110	132
Typical Motor Efficiency %	86	86	86	90	90	90	90	90	90	92	92	92
Harmonic No.	RMS Current (A)											
1	18.703	25.833	30.954	36.282	49.540	60.995	74.18	90.65	123.60	145	180.9	217.0
3	0.002	0.006	0.005	0.003	0.001	0.005	0.00	0.00	0.00	0.0	0.0	0.0
5	6.467	9.512	10.517	12.848	18.710	20.966	26.01	31.14	42.31	51.0	59.5	70.4
7	3.425	5.147	5.527	6.908	10.274	11.144	13.92	16.54	22.41	27.1	26.4	29.7
9	0.000	0.001	0.000	0.000	0.000	0.001	0.00	0.00	0.00	0.0	0.0	0.0
11	1.571	2.177	2.618	3.072	4.174	5.167	6.28	7.68	10.47	12.2	14.8	17.5
13	1.078	1.494	1.781	2.108	2.893	3.533	4.30	5.25	7.16	8.4	8.9	10.2
15	0.000	0.001	0.000	0.000	0.000	0.000	0.00	0.00	0.00	0.0	0.0	0.0
17	0.909	1.244	1.513	1.769	2.382	2.987	3.62	4.44	6.05	7.0	8.0	9.3
19	0.669	0.896	1.110	1.288	1.712	2.188	2.64	3.25	4.44	5.1	5.5	6.4
21	0.000	0.000	0.000	0.000	0.000	0.000	0.00	0.00	0.00	0.0	0.0	0.0
23	0.616	0.838	1.024	1.196	1.604	2.020	2.45	3.01	4.10	4.8	5.1	5.8
25	0.484	0.644	0.803	0.930	1.225	1.583	1.91	2.35	3.21	3.7	3.9	4.4
27	0.000	0.000	0.000	0.001	0.000	0.000	0.00	0.00	0.00	0.0	0.0	0.0
29	0.448	0.608	0.743	0.869	1.162	1.468	1.78	2.18	2.98	3.5	3.4	3.8
31	0.370	0.493	0.613	0.712	0.940	1.211	1.46	1.80	2.46	2.8	2.8	3.1
33	0.000	0.000	0.000	0.001	0.001	0.001	0.00	0.00	0.00	0.0	0.0	0.0
35	0.338	0.459	0.560	0.657	0.882	1.110	1.34	1.65	2.25	2.6	2.4	2.5
37	0.290	0.388	0.480	0.557	0.739	0.946	1.14	1.41	1.92	2.2	2.1	2.2
39	0.000	0.000	0.000	0.001	0.001	0.001	0.00	0.00	0.00	0.0	0.0	0.0
40	0.000	0.000	0.000	0.000	0.000	0.000	0.00	0.00	0.00	0.0	0.0	0.0
Total RMS Current (A)	20.24	28.21	33.41	39.47	54.33	65.95	80.43	98.00	133.56	157.5	193.4	231.4
* THD (I) %	38.2	40.2	37.6	45.7	47.4	43.2	41.9	41.1	40.9	41.9	37.9	37.1

Fig. 16: Table for the analysis of the harmonics FEU+24 .. FKU+260

Assumptions: R_{sc} = 120 at 400 V

FEU+24 - FKU+260 meet all requirements of the standard EN61000-3-12:2011 (see figure 14, page 23).

5.6 Safe Torque Off (STO)

As standard, the VARIPACK frequency inverters are equipped with a certified and safety-tested shut-off function, Safe Torque Off (STO).

- This function can be used as cut-out device for prevention of unexpected start-up as described in EN60204-1, 5.4. This so-called STO function makes sure that no drive energy is transferred to the motor as long as the function is active. Thus the compressor motor is safely free of torque but not de-energized. This function was tested at the factory.
- The STO function is active if the STO circuit is open or less than 21.6 V are applied. It then cancels each compressor start command and also start commands that could be triggered internally by a firmware error. The hardware of the STO control circuit consists of two redundant channels which are designed in a way that, in case a channel fails internally, the other channel is still able to prevent any unintentional FI operation. The hardware meets the so-called high requirements regarding functional safety. Due to the related classification as high demand

mode, their functionality needs to be checked once a year.

- Due to the STO function, the main contactor before or after the VARIPACK may be omitted. Instead of being switched as before via the main contactor, the STO, switched via the high pressure switch or other safety-relevant protective functions, can shut off the compressor directly.



DANGER

Risk of electric shock!



The STO function is not a galvanic isolation of the voltage supply and may therefore not be used for maintenance or repair work!

It is only an electronic protective function during normal operation of the VARIPACK frequency inverter.

Prior to performing maintenance or repair work, the VARIPACK frequency inverter must be completely disconnected from the mains supply using a suitable electrical disconnecting device and proper insulation of all voltage connections must be checked!

Switch off the main switch and secure it against being switched on again.

Wait for at least 5 minutes until all capacitors have been discharged!



Information

The STO function is a factory built-in and tested function.

Repairs on VARIPACK frequency inverters equipped with STO function may only be carried out by authorized staff.

Any unauthorized attempt to repair or dismantle the VARIPACK will void the guarantee and may impair the STO function.

As soon as the VARIPACK frequency inverter will detect an internal STO error, it must be eliminated immediately.



NOTICE

Defined switching points are no longer guaranteed if lines are too long or incorrectly installed. Maximum line length to terminals X10/01, X10/03, X10/05 and X10/06: 25 m!

- For high safety requirements, two independent STO control channels have been implemented in the hardware. The STO circuit is designed such that upon occurrence of an error in a channel, the second channel ensures that no inadvertent operation of the VARIPACK frequency inverter takes place.
- The activated STO function overrides all attempts to start the compressor. This means that if the STO function is switched by one or both STO control inputs, the compressor will not start. This is also true if, for example, an internal software error should result in a start attempt.

Safety specifications:

According to EN ISO13849-1 and EN61800-5-2, the VARIPACK frequency inverters have the following safety characteristics:

Safety levels reached by the frequency inverters ①		
SIL	safety integrity level	SIL3
PL	performance level	PLe
Underlying safety characteristics ②		
PFH	Average probability of a dangerous failure per hour	$2,3 \times 10^{-9}$
MTTF _d	Average time until a dangerous error is reached	100 years ③
DC	diagnostic coverage	98.6% → high
SFF	Overall proportion of safe failures	99% → average

T _M	service life	20 years
----------------	--------------	----------

Tab. 4: VARIPACK safety characteristics according to EN ISO12849-1 and EN61800-5-2

①: The indicated safety levels and underlying safety characteristics are applicable to the VARIPACK frequency inverter if both STO inputs can be activated independently of each other. Depending on the integration into the system, the safety level of the complete system can be lower and must be calculated by the system manufacturer.

②: The safety characteristics used for determining the safety level are listed in order to allow calculation of the complete system.

③: The standard EN ISO13849 limits the MTTF_d value to 100 years.

STO function testing

During the commissioning and during an interval to be defined by the system manufacturer on the basis of a risk assessment, all safety devices and the functions of the entire safety chain must be checked for correct functioning. Based on the schematic wiring diagrams (see chapter Operating modes, page 20), the STO function including the system integration can be checked using the following procedure:

- Put the compressor into operation.
- Trigger the high-pressure switch (F5).
 - The compressor must be switched off immediately and the frequency inverter must send an STO fault message.
- Close the high pressure switch and/or the safety chain.
 - The STO fault is reset and the compressor is restarted after a defined time delay.

5.7 Schematic wiring diagrams

Connect the VARIPACK frequency inverter in accordance with the schematic wiring diagrams. Mount the control switches S1 to S3 in the switch cabinet.

Individual connection of the compressor motor according to the selected motor version and design. For details concerning the motor connection, see inside the terminal box of the compressor.

The schematic wiring diagrams include optional oil monitoring. Without such monitoring, the Delta-PII and OLC-K1, respectively and the components S3 and H2 can be omitted. The auxiliary relay K11 and the pressure switches F5 and F6 should in this case be installed in path 15 at the connection 14 of the SE-B1.

In contrast to the safety levels obtained by the VARIPACK frequency inverters (PLe, SIL3), the system integration shown in the schematic wiring diagrams corresponds to a max. safety level of (PLd, SIL2). The actual safety levels valid for the entire system can exclusively be calculated by the system manufacturer! The obtainable safety level shown in the schematic wiring diagrams is usually satisfactory for refrigeration systems. For comparison: a simple contactor circuit that is usually used, without using two contactors with mutual monitoring connected in series, corresponds to a max. reachable safety level of PLc/SIL2. The required safety level must be defined by the system manufacturer on the basis of a risk assessment. For further information, see chapter Safe Torque Off (STO), page 24.

5.7.1 Schematic wiring diagrams semi-hermetic reciprocating compressors

Abbr	Component
.	.
B1	Control unit (cooling demand) or command for compressor start (release signal from the system controller) or controller On/Off
F1	Main fuse
F2	Compressor fuse
F3	Control circuit fuse
F12	Oil heater fuse
F17	Control transformer fuse
H1	Signal lamp "overtemperature" (motor and discharge gas)
H2	Signal lamp "Oil supply fault"
H6	Signal lamp "Ready-to-operate"
K10	Auxiliary relay "Compressor is running"
K11	Auxiliary relay "Compressor release"
M1	Compressor
M2	Fan
N1	VARIPACK frequency inverter (FI)
Q1	Main switch
R1..6	PTC sensor in motor winding
R7	Discharge gas temperature sensor (option)
R8	Oil heater (option)
S1	Control switch (on/off)
S2	Reset "overtemperature" (motor and discharge gas)
S3	Reset "Oil supply fault"
T1	Control transformer (example for 230 V)
Y2	Solenoid valve "liquid line"

Tab. 5: Legend schematic wiring diagrams VARIPACK with semi-hermetic reciprocating compressors

SE-B1: Protection device.

Delta PII or OLC-K1: Oil monitoring (option).

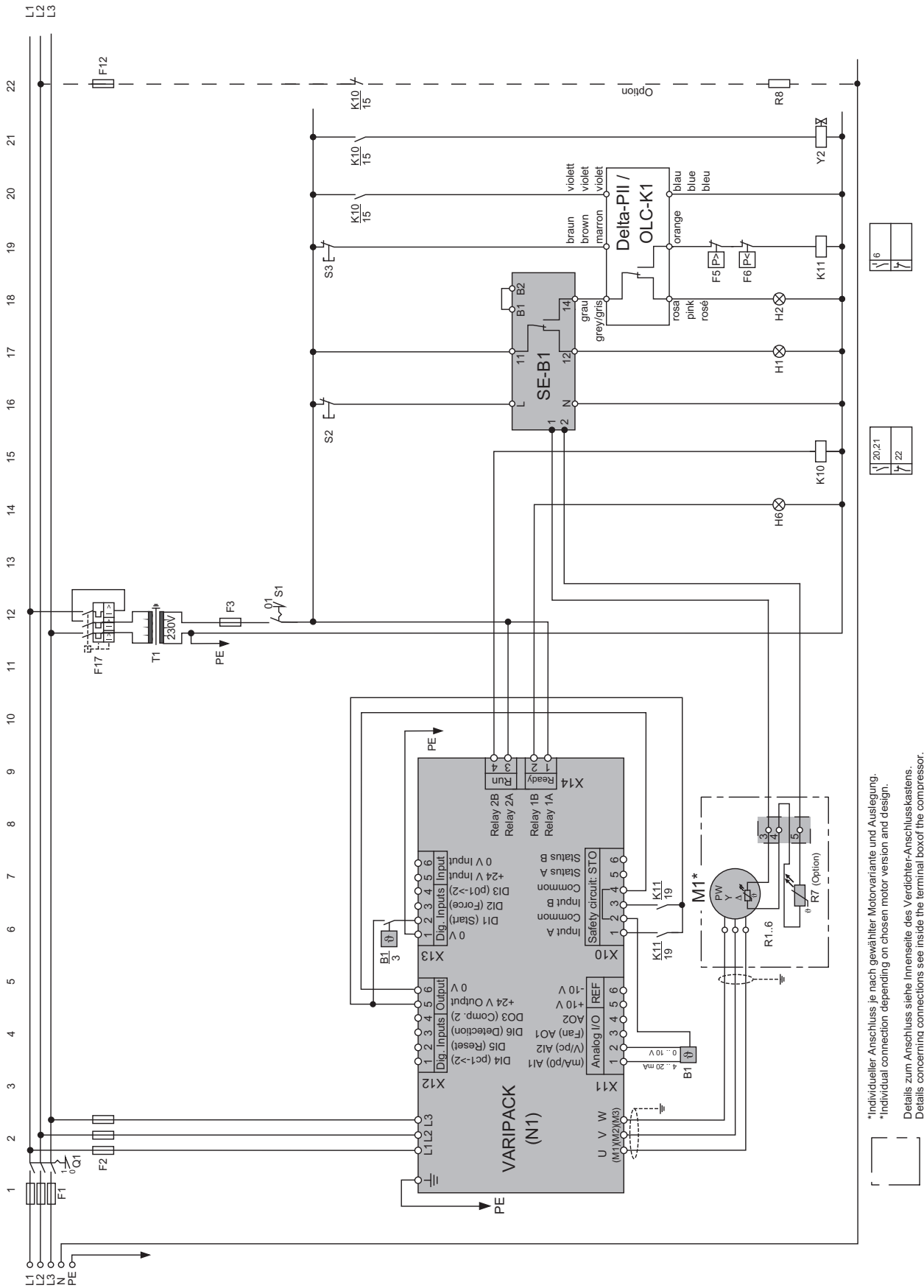


Fig. 17: Schematic wiring diagram reciprocating compressors without extension module

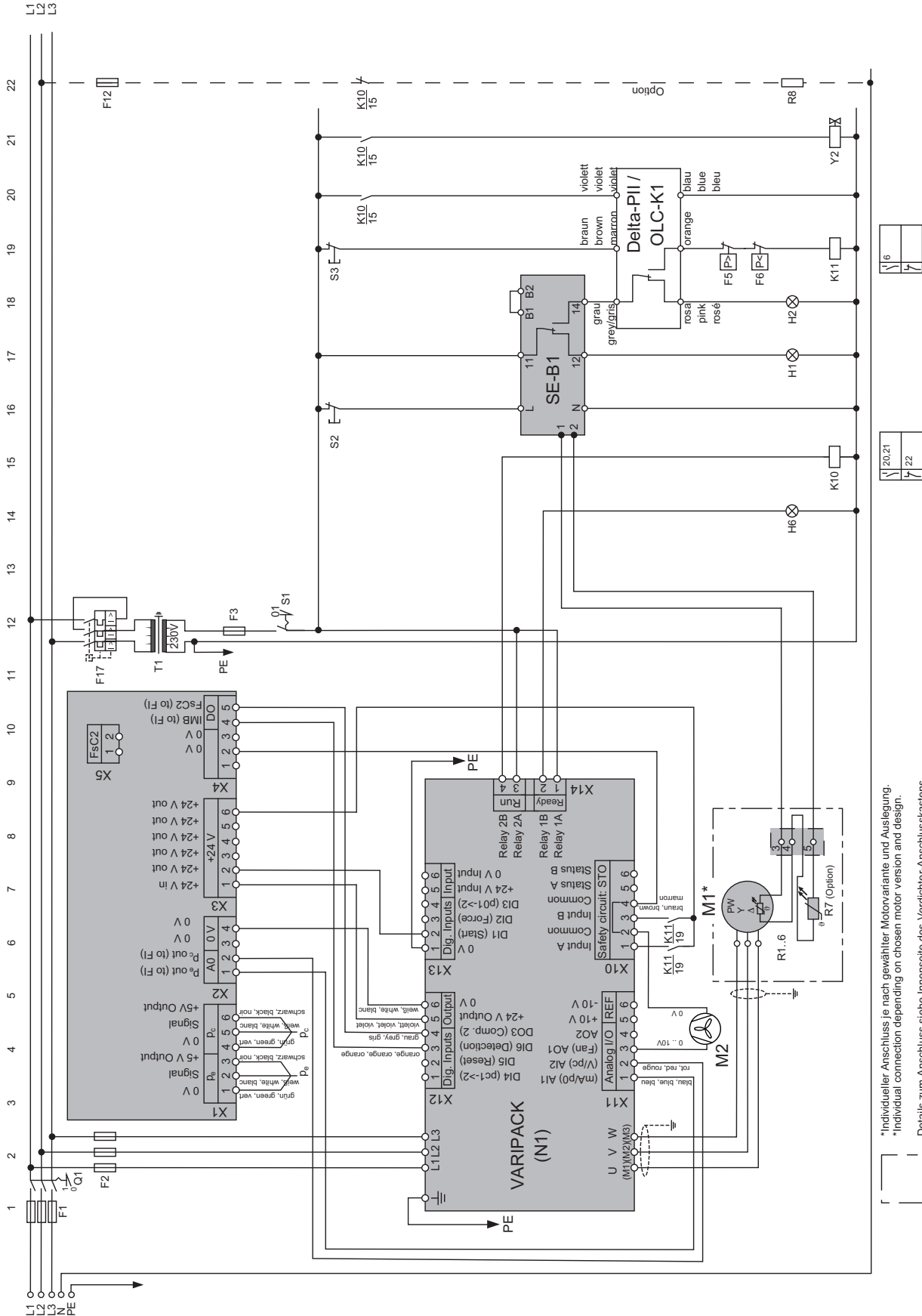


Fig. 18: Schematic wiring diagram reciprocating compressors with extension module

*Individualer Anschluss je nach gewählter Motorvariante und Auslegung.
 *Individual connection depending on chosen motor version and design.
 Details zum Anschluss siehe Innenseite des Verdichter-Anschlusskastens.
 Details concerning connections see inside the terminal box of the compressor.

5.7.2 Schematic wiring diagrams semi-hermetic screw compressors

Abbr	Component
B1	Oil thermostat
B2	Superior controller
B6	High-pressure transmitter
B7	Low-pressure transmitter
F1	Main fuse
F2	Compressor fuse
F3	Control circuit fuse
F4	Oil heater fuse
F5	High-pressure switch
F6	Low-pressure cut-out
F7	Oil flow switch
F9	Monitoring of oil stop valve
F10	Oil filter monitoring
F12	ECO control unit; pressure switch (ECO) (ATEX)
F17	Control transformer fuse
F21	Fuse of the heating element in the terminal box
H1	Light "motor failure"
H4	Light "oil level fault"
H5	Light "oil stop valve fault"
H11	Light "ready-to-operate"
K4	Auxiliary contactor
K10	Auxiliary relay "Compressor start"
K11	Auxiliary relay "Compressor release"
K4T	Time relay "Oil level monitoring 120 s"
M1	Compressor motor
N1	Frequency inverter (FI)
Q1	Main switch
R1	Oil heater
R2	Discharge gas temperature sensor
R9	Heating element for terminal box
R10	Optional temperature sensor
R11	Auxiliary resistor
S1	Control switch (on/off)
S2	Fault reset "motor & discharge gas temp., motor rotating direction, oil flow" with HS.85: Fault reset "motor & discharge gas temp., motor rotating direction, oil supply"
S4	Reset "oil filter chamber" (HS.85)

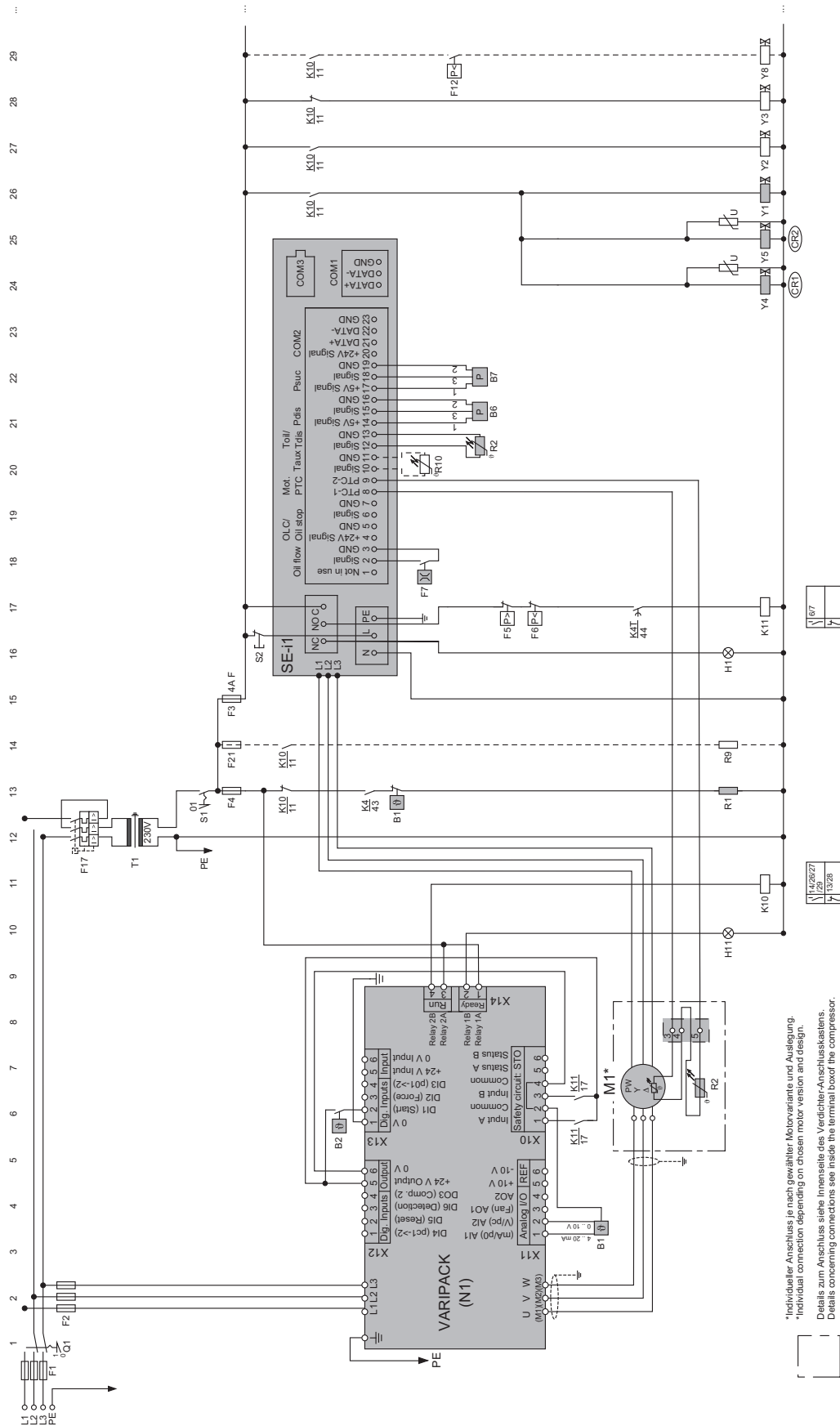
Abbr	Component
T1	Control transformer (example for 230 V, required according to EN60204-1)
Y1	Solenoid valve "oil injection"
Y2	Solenoid valve "liquid line"
Y3	Solenoid valve "Standstill bypass"
Y4	Solenoid valve "capacity regulator CR1"
Y5	Solenoid valve "capacity regulator CR2"
Y6	Solenoid valve "capacity regulator CR3"
Y7	Solenoid valve "capacity regulator CR4"
Y8	Solenoid valve "ECO" (if required)

Tab. 6: Legend schematic wiring diagrams HS compressors with VARIPACK

SE-B*: Motor protection device (optional)

OLC-D1: Oil monitoring

SE-i1: Protection and monitoring device



*Individualer Anschluss je nach gewählter Motorvariante und Auslegung.
 *Individual connection depending on chosen motor version and design.
 Details zum Anschluss siehe Internetseite des Vorführer-Anschlussexisten.
 Details concerning connections see inside the terminal block of the compressor.

Fig. 19: Schematic wiring diagrams HS.53 .. HS.74 compressor, Part 1

44
43
42
41
..

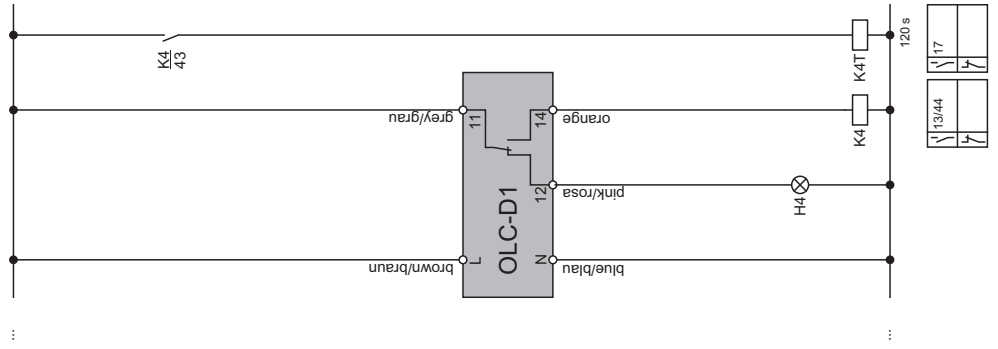
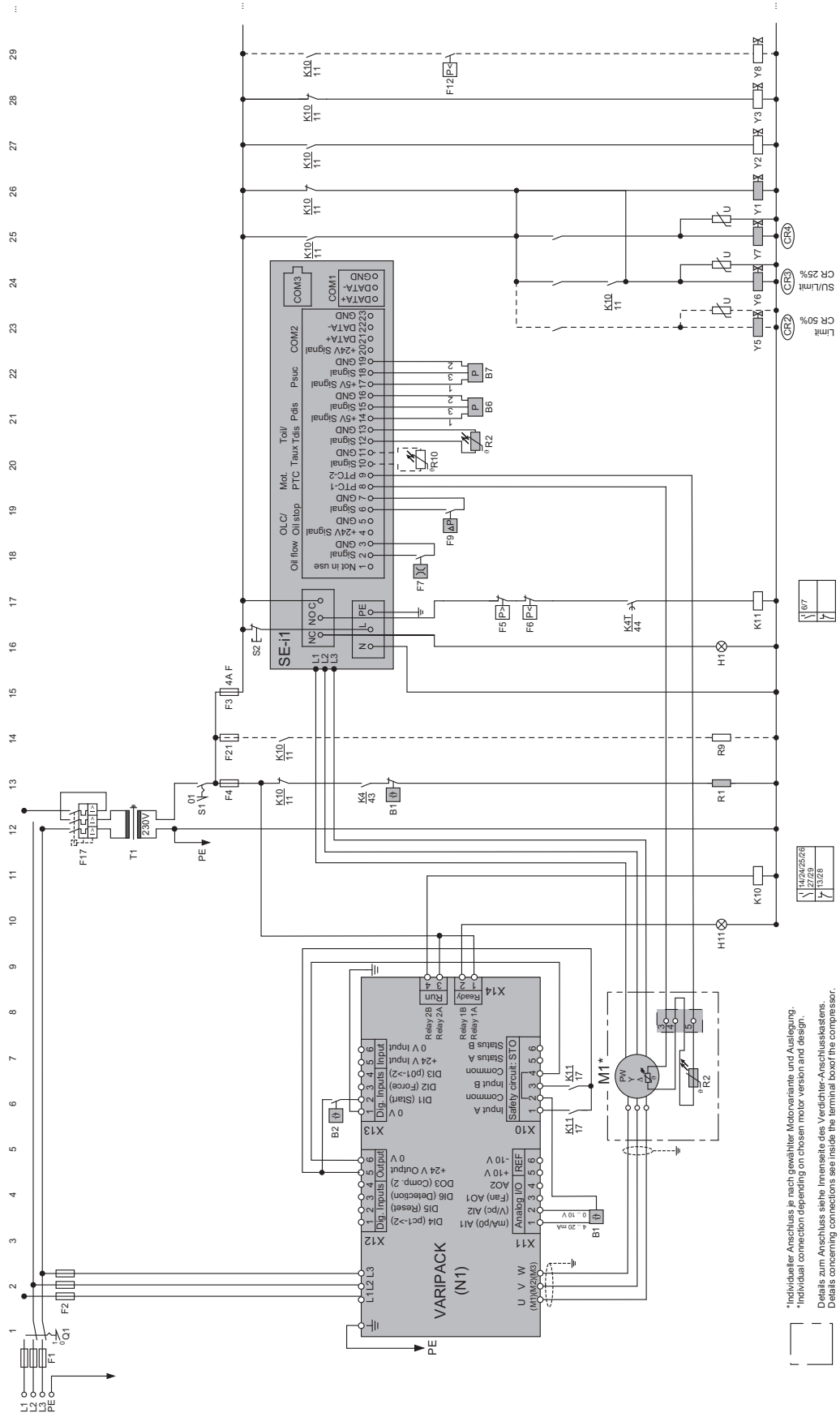


Fig. 20: Schematic wiring diagrams HS.53 .. HS.74 compressor, Part 2



*Individualer Anschluss je nach gewählter Motorvariante und Auslegung.
 *Individual connection depending on chosen motor version and design.
 Details zum Anschluss siehe Innenseite des Verdichter-Anschlusskastens.
 Details concerning connections see inside the terminal box of the compressor.

Fig. 21: Schematic wiring diagram HS.85 compressor, Part 1

44
43
42
41
...
33
32
31
30
...

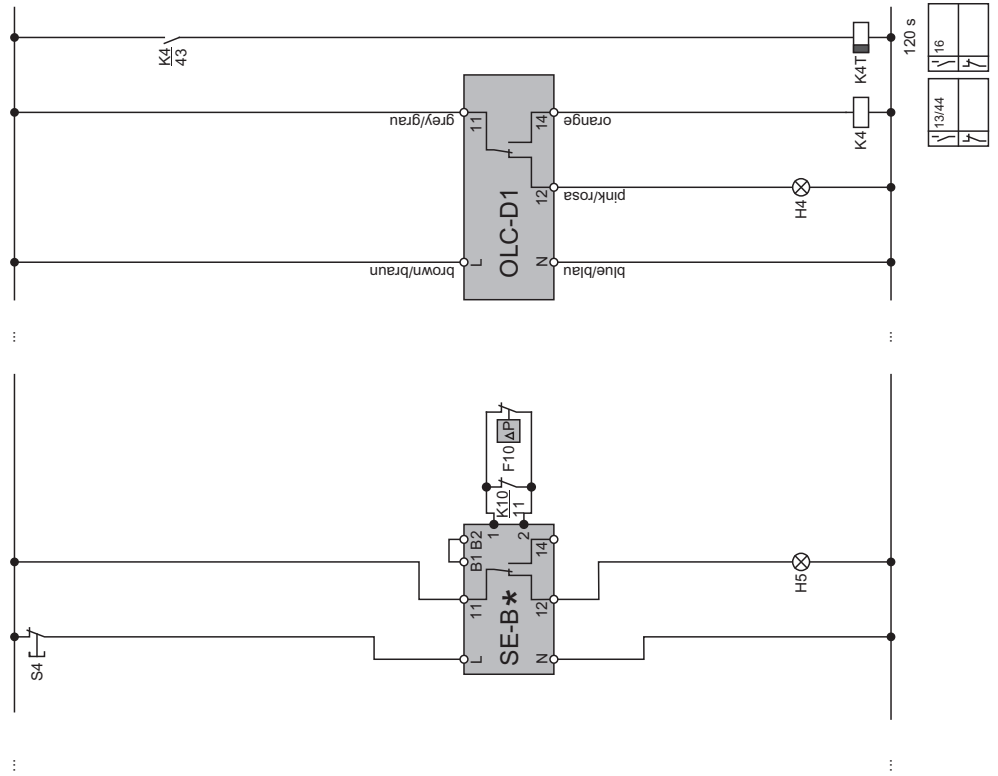


Fig. 22: Schematic wiring diagram HS.85 compressor, Part 2

6 Control functions

Graphical explanations of the control functions described in the following sections, see figure 23, page 35.

Compressor start and STO

The compressor can only be started when it is released (STO input closed), the start command is given (DI1 closed) and the "start to start interval" and the "stop to start interval" (10 s) of the compressor have elapsed.

When controlled via an external setpoint signal and a control characteristic "0 .. Max", a setpoint > 1% must additionally be applied.

As soon as the start command is cancelled (DI1), the compressor is shut down via the ramps.

If the release is cancelled (STO), however, it is directly switched off.

"Ramps"

To optimize the operating performance, the compressor ramps can be adjusted. For slow reacting systems such as water chillers or refrigeration systems with only one evaporator, we recommend selecting slower ramp times while compound systems may require faster ramps. Apart from the limitation of the external setpoint, these ramps define the frequency change for the "Force" function.

As standard, the shortest ramps are set for the respective compressors. To start and stop the compressor, that means below the minimum frequency, the optimum ramps are fixed in the VARIPACK frequency inverter and therefore ensure a safe and reliable compressor start.

"Start to start interval" (time rate between two compressor starts)

The compressor start activated by a VARIPACK frequency inverter results in a lower mechanical stress on the compressor drive gear and less heating of the motor compared to a direct start. By this, a higher number of compressor starts per hour are allowed. An excessive number of compressor starts, however, should be avoided.

The "start to start interval" limits the maximum number of compressor starts. If the defined time since the last compressor start has not yet elapsed, the compressor start is delayed. If the compressor is operated for a longer period than the "start to start interval", it can be restarted immediately after the stop. As standard, the minimum "start to start interval" recommended for the compressor is set. It can be extended to any desired period in order to improve the operating performance of the system and to increase the system efficiency by avoiding very short cycles. If required, shorter time values than the preset and recommended ones can be configured.

Relay "Compressor running" (DO2)

The relay "Compressor running" indicates the operating condition of the compressor. It can be used, for example, for switching off the oil heater or switching on the additional fan or as a signal for the electronic expansion valve. The relay is switched on after a successful compressor start and after having reached the minimum frequency and is switched off as soon as the frequency falls below the minimum value.

"Hold time after start at minimum frequency"

In temperature-controlled systems with only one compressor, there may be significant pressure drops in the low-pressure circuit after the compressor start. The reason for this is that, due to the high setpoint deviation, the compressor is powered up too fast so that the pressure cannot be regulated quickly enough by the expansion valve. This can be avoided by setting a time interval after the start during which the minimum frequency of the compressor is maintained before the compressor switches to normal operation. As standard, the value of 0 s is set.

Operation at 50 Hz (Force)

In case of long pipelines and rising lines or a not optimally selected suction gas line, there is a risk of oil migration during the long partial load phases. If the frequency and therefore the mass flow is increased, the oil can be circulated back and a compressor shut off can be avoided. This can be realized by the "Force" function of the VARIPACK frequency inverter. If a lack of oil in the oil tank or compressor is signaled, the digital input DI2 of the VARIPACK frequency inverter can be activated to operate the compressor at at least 50 Hz.

"Resonance avoidance"

If vibrations that are not easy to eliminate occur in a specific range of operating frequencies, these frequencies can be avoided. For this, two frequency ranges can be defined in which the compressor should not remain during operation. When the setpoint exceeds the defined initial value, the frequency remains at this value until the setpoint has exceeded the end value and the frequency range is skipped. When shutting down, the frequency is maintained until the setpoint has fallen below the initial value.

Automatic limitation of the maximum frequency

During operation in the field weakening mode, the VARIPACK frequency inverter limits automatically the operating frequency as soon as the maximum operating current of the compressor or the VARIPACK frequency inverter is reached. This allows an economic dimensioning of the combination of compressor and VARIPACK without running the risk that the VARIPACK frequency inverter under exceptional operating conditions (high condensing temperature, start-up or start after a long standstill) switches to fault due to overcurrent.

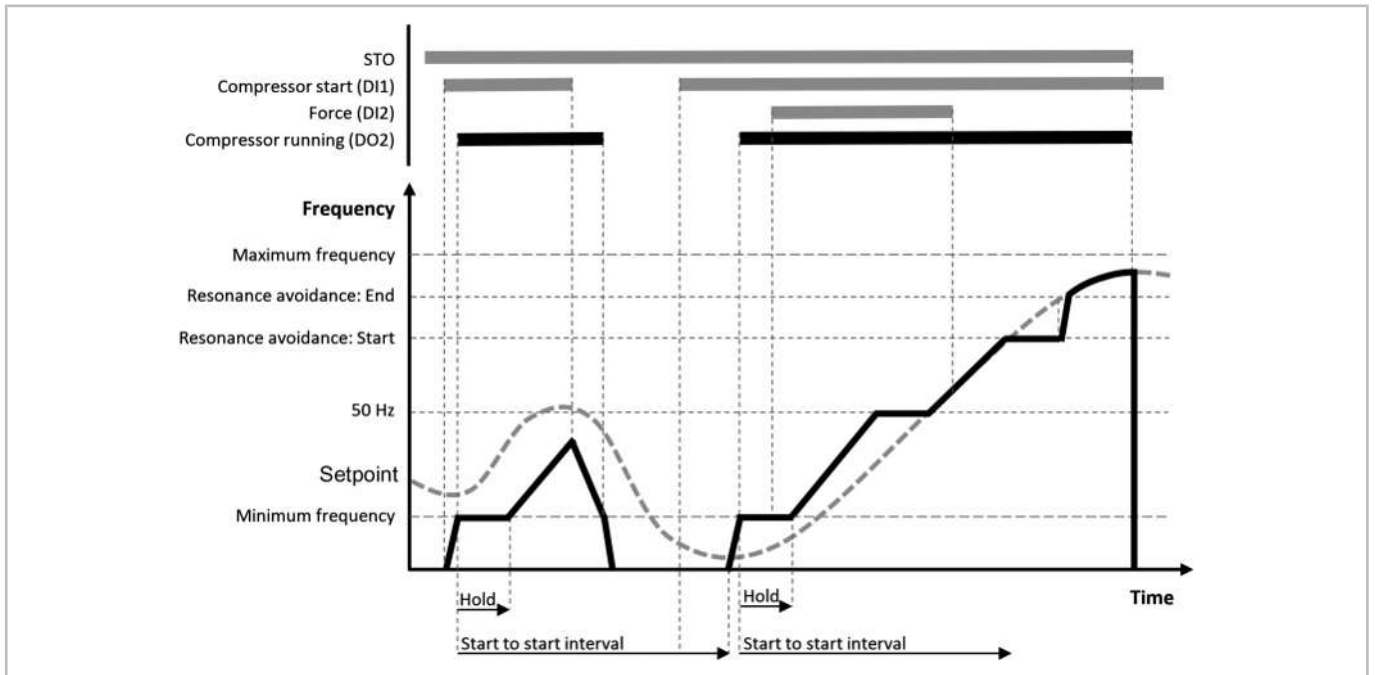


Fig. 23: Graphical representation of the general control functions

6.1 Extension module for pressure control

Graphical explanations of the control functions of the extension module for pressure control described in the following sections, see figure 24, page 36.

Basic function and minimum settings

If the extension module for pressure control is connected with the VARIPACK frequency inverter, this is immediately detected by the VARIPACK frequency inverter which then enables the relevant parameters for the extension module.

Apart from the basic settings, at least the following parameters must be set for direct control:

- Refrigerant
- Evaporation temperature
- Evaporation temperature limiter (pump down)
- Condensing temperature

The compressor control is based on the so-called pump down logic. For this, the digital start input (DI1) must be permanently closed or can be used to release a control switch. The compressor is switched on as soon as the evaporation temperature exceeds the setpoint and stops when the evaporation temperature falls below the set value of the evaporation temperature limiter (pump down).

In operation, the VARIPACK frequency inverter controls the set evaporation temperature by regulating the compressor frequency and by switching on/off the fixed fre-

quency compressor (relay FsC2, X5: 1 and 2). The regulation speed can be adjusted to the requirements by setting the P band.

The set condensing temperature can be regulated via the analogue output by means of the 0 .. 10 V signal. In order to guarantee the most efficient level of operation, it is recommended to set the minimum allowable condensing temperature of the compressors if the system allows doing so. If the condensing temperature exceeds the setpoint, the rotation speed of the fans is increased accordingly. By adjusting the P band to the system inertia, the quality of the control can be optimized. In addition, a minimum fan speed can be set, if necessary.

"Evaporation temperature setpoint 2"

By a signal to the input DI3, the evaporation temperature setpoint 2 is activated.

"Condensing temperature setpoint 2"

By a signal to the input DI4, the condensing temperature setpoint 2 is activated. This value can be used, for example, as setpoint for heat recovery.

"Condensing temperature limiter"

The condensing temperature limiter reduces the compressor frequency as soon as the set condensing temperature is exceeded. Thus a cut out on high-pressure can be avoided in many cases since the load on the condenser is reduced by lowering the frequency.

"Electronic low-pressure switch"

The low-pressure switch function switches the compressor off as soon as the pressure falls below the set pressure value. In contrast to the evaporation temperature limiter (pump down), the compressor is immediately switched off as soon as this limit value is reached and is not shut down via the ramp. Moreover, a fault is stored in the fault memory of the VARIPACK frequency inverter. As soon as the evaporation temperature setpoint is exceeded, the compressor is restarted.

"Electronic high-pressure switch"

The high-pressure switch function switches the compressor off as soon as the set pressure value is exceeded. The standard setting and the maximum adjustable value corresponds to the maximum operating pressure of the compressor. The high-pressure switch is reset as soon as the temperature falls below the set value of the condensing temperature limiter.

i Information
The electronic high-pressure switch function does not replace the type-examined tested high-pressure switch according to EN378!

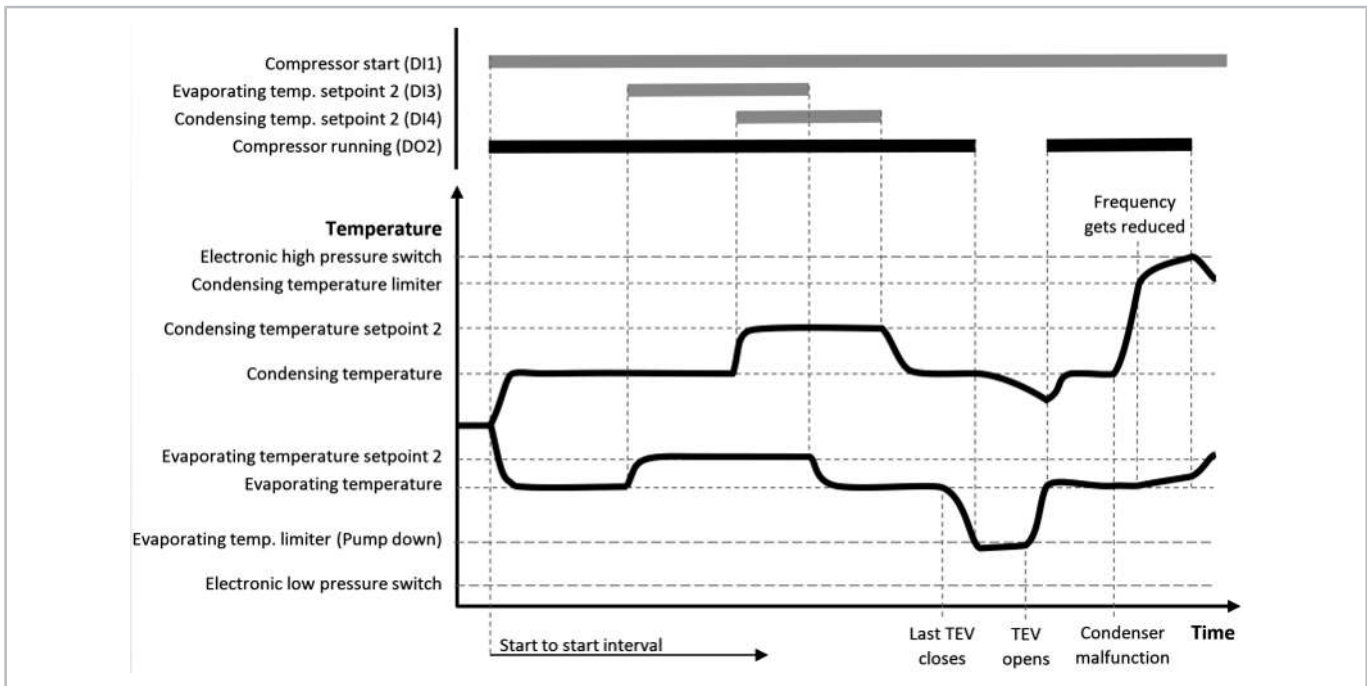


Fig. 24: Graphical representation of the general control functions of the extension module

7 Data communication with the VARIPACK frequency inverter

7.1 Communication via the BEST SOFTWARE



Information

The requirement for installing and using the BEST SOFTWARE is a PC or a mobile device equipped with Windows XP or a later version. Without a device with Windows operating system, communication with the VARIPACK frequency inverter is only possible via the optional control panel (see chapter Removable control panel (with display and keypad), page 38).

The BEST SOFTWARE offers comprehensive access to all operating data and control parameters and can be downloaded for free from the BITZER website (www.bitzer.de).

The data link and communication with the BEST SOFTWARE can take place via:

- BEST interface converter.
- Direct Ethernet connection.
- Ethernet connection through router/GSM.

BEST interface converter (using RJ12 cable)

- Part number 344 314 01.
- Requirements: PC/mobile device equipped with USB interface.
- Restrictions: no firmware update possible.

Connecting the BEST interface converter:

- Plug the BEST interface converter into the right socket (XC3) on the underside of the interface extension of the VARIPACK FI (see figure 25, page 37).

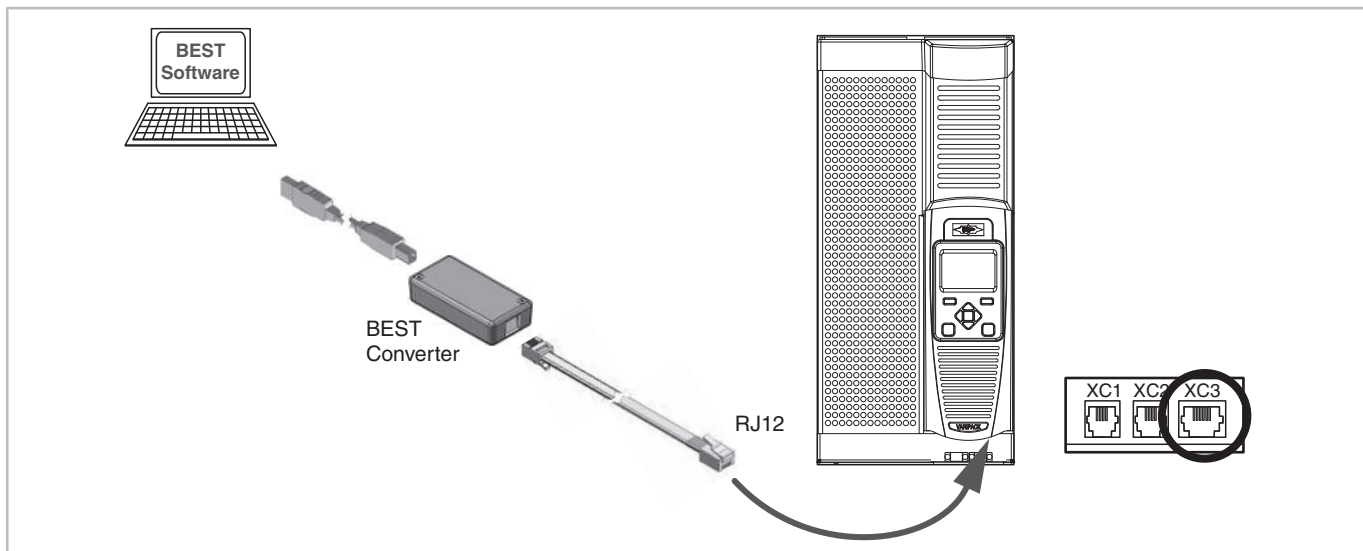


Fig. 25: Connecting VARIPACK via BEST interface converter and RJ12 cable with a PC/mobile device

Direct Ethernet connection (using RJ45 network cable)

- Requirements: PC/mobile device equipped with Ethernet socket (RJ45).
- A standard network cable is sufficient, no crossover cable being necessary.

Ethernet connection through router/GSM

- Requirements: PC or mobile device with network access.

- Local or worldwide access when connected to the Internet via a router/GSM.

Connecting the Ethernet network cable (see figure 26, page 38):

- Plug the network cable into the VARIPACK control module at the top.
- To disconnect the cable, the control panel must be dismantled (see figure 7, page 12, position 1).
- Next, introduce a screwdriver from the front and press it slightly downwards, in order to unlock the clip of the network cable.

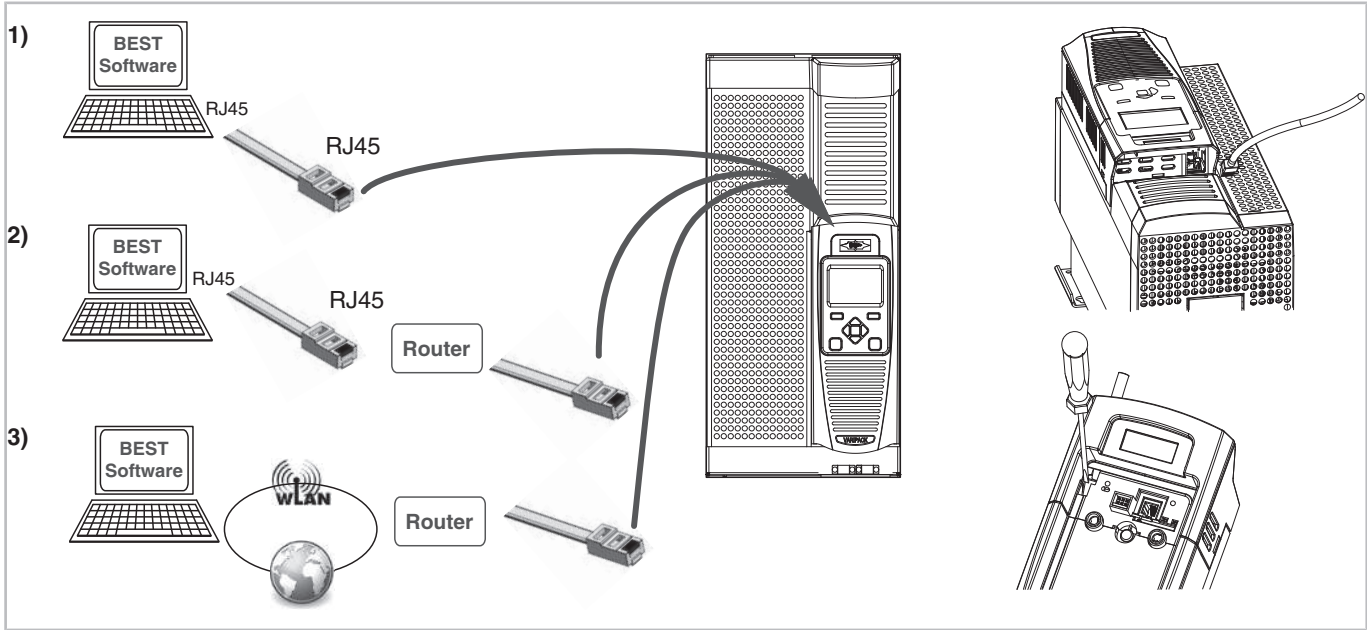


Fig. 26: Plug the network cable into the RJ45 slot at the VARIPACK and unplug it again

Establish communication with the BEST SOFTWARE.

see chapter Commissioning of the VARIPACK frequency inverter, page 39.

7.2 Removable control panel (with display and keypad)

The VARIPACK frequency inverter can be configured and monitored completely via the optional removable control panel (with display and keypad). To do so, insert the SD card delivered with the control panel into the SD card slot. Afterwards, plug the control panel either directly in the front panel (instead of the cover) (see figure 7, page 12) or mount it on the outside of the switch cabinet or on the switch cabinet door using the kit for external mounting.

i Information
The initial configuration of the VARIPACK frequency inverter for screw compressors and scroll compressors via the control panel will be available shortly!

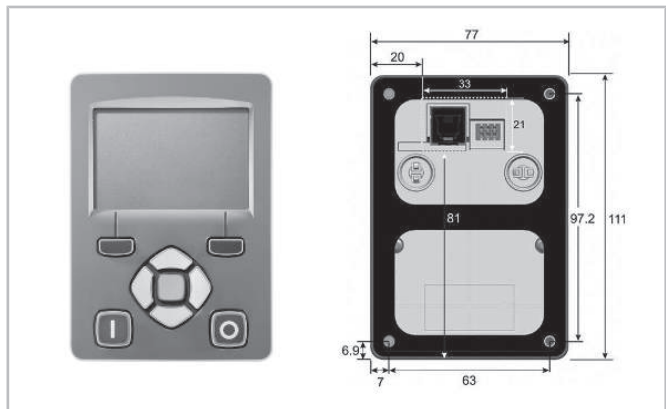


Fig. 27: Front and rear view of the control panel with fixing holes and recess on the back (for external mounting to the switch cabinet)

7.2.1 Kit for external mounting of the control panel

The kit for external mounting of the optional control panel (part number 347 971 01) consists of:

- Connecting cable (3 m long)
- 4 mounting screws.

Mounting (see figure 27, page 38):

- Mount the control panel on a flat surface, for example on the outside of the switch cabinet door.
- Take the openings in the switch cabinet door for the connections on the back of the control panel into account (see figure 27, page 38)!

7.2.2 Control panel setup and operation

For this, please refer to the BITZER leaflet 378 204 05 delivered with the control panel.

7.3 Interfaces for communication via Modbus RTU and Modbus TCP/IP

For communication with superior system controllers or the building control system, the following interfaces are additionally available:

- Modbus RTU via RS485.
- Modbus TCP/IP via network cable on RJ45.

For the explanation and set-up of these interfaces, including the register or address definition, see BEST SOFTWARE 2.9 or newer.

8 Commissioning of the VARIPACK frequency inverter

First:

Establish communication with the BEST SOFTWARE , see figure 28, page 39:

- Start the BEST SOFTWARE (1).
- Click the NEW button (2).
- Select the VARIPACK frequency inverter (3).
- Click the CONNECT button (4).
- The following selection appears: BEST CONVERTER or ETHERNET.

– Selection BEST CONVERTER:

Click the CONNECT button. This concludes the connection of the VARIPACK frequency inverter to the mobile terminal device.

– Selection ETHERNET:

A list of all available devices appears.

Select a device.

Click the CONNECT button.

Enter Ethernet password (default "8670")

This concludes the connection of the VARIPACK frequency inverter to the PC / mobile device.



Fig. 28: Connecting the VARIPACK with the BEST software

Configuring the VARIPACK:

- Capacity control of the compressor depending on an external setpoint signal:
 - Click the CONFIGURATION button.
 - Click the COMPRESSOR button and select the compressor, including the motor code and motor wiring.
 - Click the TRANSMIT button and select and click TRANSMIT USER SETTINGS TO THE DEVICE.

This completes the basic configuration.

- Capacity control of the compressor as a function of the evaporation pressure using the extension module for pressure control (option), see figure 29, page 40.
 - Click the CONFIGURATION button.
 - Click the COMPRESSOR button and select the compressor, including the motor code and motor wiring.
 - Select the corresponding refrigerant.
 - If necessary, adapt the temperature and pressure settings.
 - Click the TRANSMIT button and select and click TRANSMIT USER SETTINGS TO THE DEVICE.

This completes the configuration.

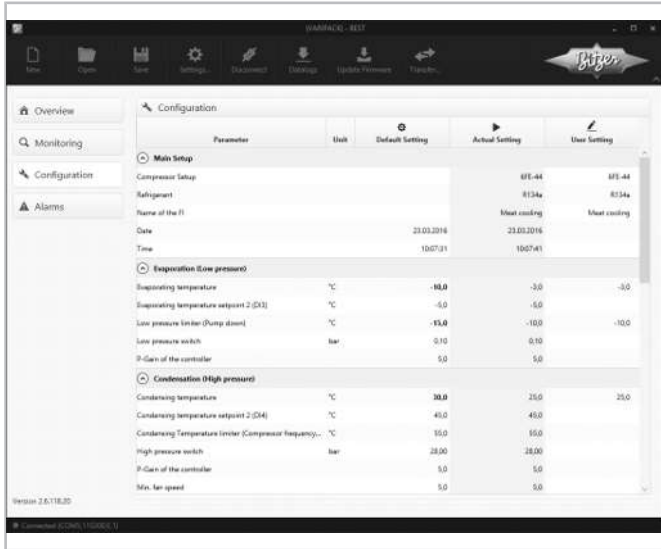


Fig. 29: VARIPACK configuration "Pressure control"

9 Fault messages and monitoring functions

Description of the fault types:

"Timed resets":

- "Timed reset" faults are reset automatically up to 5 times. If the fault is no longer active and the following parametrised time delay has elapsed, the compressor can restart. The "Timed Reset" interval can be configured from VARIPACK firmware V1.14. The factory setting is – like in the previous version – 300 s. Shorter intervals should only be set in systems equipped with a system controller with alarm management function. After 5 errors within 5 configured and successively elapsed intervals or after 5 errors within 5 minutes, an "External resets" error is triggered.
- After an error-free operation of at least 5 minutes or after 5 configured intervals performed successively without any faults, the number of possible "Timed resets" is reset to 5. This is also done if a fault is reset actively, for example via the DI5 digital input (Reset).

"External resets":

- Faults of the "External reset" type are reset if the fault is no longer active and a reset command is received. The reset command can be sent by pressing the red key on the control panel or via the digital input (DI5) or via Modbus.

No.	Fault	Warning	Fault type
1	Overvoltage	X	"Timed reset"
2	Under-voltage	X	"Timed reset"
3	Overcurrent		"Timed reset"
4	Power stack fault		"Timed reset"
5	Power stack overcurrent		"Timed reset"
6	Current limit		"Timed reset"
7	Motor stall		"Timed reset"
8	Overload		"Timed reset"
9	Overload (permanent magnet motors)		"Timed reset"
10	Overcurrent at low speed		"Timed reset"
11	Ambient overtemperature heat sink	X	"Timed reset"
12	Ambient overtemperature control module	X	"Timed reset"
14	Compressor start failed		"Timed reset"
20	Line contactor		"Timed reset"
21	Phase failure		"Timed reset"
22	VDC ripple		"Timed reset"
24	24 V overload		"Timed reset"
27	STO active		"Timed reset"
29	Fan error		"Timed reset"

No.	Fault	Warning	Fault type
30	Current sensor error		"Timed reset"
33	Error of low or high pressure transmitter		"Timed reset"
34	Low or high pressure cut-out		"Timed reset"

Tab. 7: Possible fault messages

For a list of the possible causes of a fault as well as for the instructions regarding troubleshooting, see BEST SOFTWARE.

10 Maintenance



DANGER

Life-threatening voltages inside the frequency inverter housing!



Contact can lead to serious injuries or death. Never open the FI housing in operation! Switch off the main switch and secure it against being switched on again.

Wait for at least 5 minutes until all capacitors have been discharged!

Before switching on again, close the FI housing.

Authorized staff

Maintenance work may only be carried out by qualified electricians. Current guidelines apply with respect to the qualification and expertise of the specialists.



Information

For reasons of guarantee, reliability and quality, only qualified staff may carry out repairs on this device. Unless stated otherwise, VARIPACK frequency inverters must not be dismantled. In case of an operating fault, the VARIPACK frequency inverter must be returned.

Regular and preventive maintenance work

As part of regular service work on the system:

- Check the switch cabinet filter mats and clean or replace them, if necessary.

Every 5 years as part of preventive maintenance:

- Replace the cooling fans of the power stack.

Replacing fans in the heat sink

Prior to performing maintenance work on the VARIPACK frequency inverter:



CAUTION

In operation, the heat sink of the VARIPACK frequency inverter will get hot.

Risk of burns upon contact!



Prior to performing work on the VARIPACK frequency inverter, disconnect the power supply and wait for at least 15 minutes until the heat sink has cooled down.

Dismounting the fan or fans:

- Remove the two screws at the top of the heat sink and take off the fan protective grating.
- Take out the fan or fans, pull the plugs of the wiring and insert the new fan or fans. Make sure that the correct fan side points to the top. (see figure 30, page 41).
- Then screw on the fan protective grating again (tightening torque 1.3 Nm).

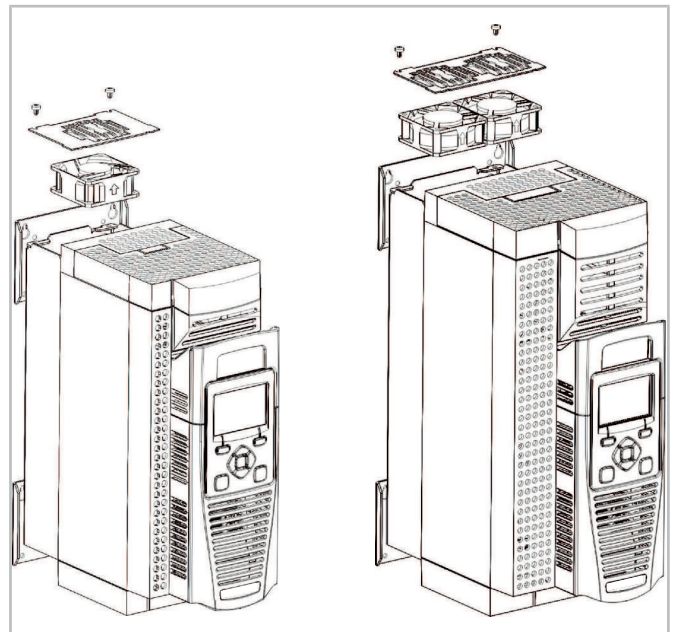


Fig. 30: Replacing the fans in the heat sink

Type	Part numbers of the fans (in case of replacement)
FDU+12 .. FGU+38	343 034 05
FHU+45, FHU+60, FHU+73, FJU+105, FJU+145	343 034 06
FJU+87	343 034 08



FKU+180, FKU+205,
FKU+260

343 034 07

Inhaltsverzeichnis

1 Einleitung	44
2 Sicherheit	44
2.1 Autorisiertes Fachpersonal	44
2.2 Restgefahren	44
2.3 Sicherheitshinweise	44
2.3.1 Allgemeine Sicherheitshinweise	44
3 Technische Daten	45
3.1 Modularer Aufbau des VARIPACK Frequenzumrichters	47
4 Montage	48
4.1 Transport und Lagerung	48
4.2 Belüftung	48
4.3 Schaltschrankmontage	49
4.4 Durchsteckmontage (Option)	50
4.4.1 Montagearbeiten bei Durchsteckmontage	52
4.5 Montage im Maschinenraum (Option)	54
4.5.1 Montageanleitung für den IP21 Bausatz	55
4.6 Halterungen für Leistungs- und Steuerkabel montieren	56
5 Elektrischer Anschluss	57
5.1 Erdungsanschluss	58
5.2 Leistungsanschlüsse (Kabel zur Spannungsversorgung und Motorkabel)	58
5.3 Steueranschlüsse (Ein- und Ausgänge)	59
5.4 Betriebsarten	61
5.4.1 Leistungsregelung des Verdichters in Abhängigkeit eines externen Sollwert-Signals	61
5.4.2 Leistungsregelung des Verdichters in Abhängigkeit des Verdampfungsdrucks	62
5.5 Elektromagnetische Verträglichkeit (EMV)	63
5.5.1 Analyse der Oberwellen FDU+6 .. FKU+260	64
5.6 Sicher abgeschaltetes Moment (STO)	65
5.7 Prinzipschaltbilder	67
5.7.1 Prinzipschaltbilder Halbhermetische Hubkolbenverdichter	67
5.7.2 Prinzipschaltbilder Halbhermetische Schraubenverdichter	70
6 Steuer- und Regelfunktionen	74
6.1 Erweiterungsmodul zur Druckregelung	76
7 Datenkommunikation mit dem VARIPACK Frequenzumrichter	78
7.1 Kommunikation über die BEST SOFTWARE	78
7.2 Abnehmbares Bedienteil (mit Display und Tastenfeld)	79
7.2.1 Bausatz zur externen Montage des Bedienteils	79
7.2.2 Aufbau und Bedienung des Bedienteils	80
7.3 Schnittstelle zur Kommunikation über Modbus RTU und Modbus TCP/IP	80
8 VARIPACK Frequenzumrichter in Betrieb nehmen	80
9 Störmeldungen und Überwachungsfunktionen	81
10 Wartung	82

1 Einleitung

Die VARIPACK Frequenzumrichter wurden zur Anwendung in der Kältetechnik, im speziellen zur Leistungsregelung von BITZER Verdichtern entwickelt. Neben der Drehzahlregelung können die VARIPACK Frequenzumrichter auch Steuer- und Regelfunktionen der Kälteanlage übernehmen.

Diese Betriebsanleitung beschreibt die BITZER VARIPACK Frequenzumrichter für Kältemittelverdichter. Darüber hinausgehende Informationen zur Programmierung der Modbus RTU und Modbus TCP/IP Schnittstelle, siehe BEST SOFTWARE 2.9 oder neuer.

Die VARIPACK Frequenzumrichter sind nach dem aktuellen Stand der Technik und entsprechend den geltenden Vorschriften gebaut. Auf die Sicherheit der Anwender wurde besonderer Wert gelegt. Diese Betriebsanleitung in der Nähe des VARIPACK Frequenzumrichters verfügbar halten!

2 Sicherheit

2.1 Autorisiertes Fachpersonal

Sämtliche Arbeiten an Frequenzumrichtern dürfen nur von Fachpersonal ausgeführt werden, das in allen Arbeiten ausgebildet und unterwiesen wurde. Für die Qualifikation und Sachkunde des Fachpersonals gelten die jeweils landesüblichen Vorschriften und Richtlinien.

2.2 Restgefahren

Von Frequenzumrichtern können unvermeidbare Restgefahren ausgehen. Jede Person, die an diesem Gerät arbeitet, muss deshalb diese Betriebsanleitung sorgfältig lesen!

Es gelten zwingend:

- die einschlägigen Sicherheitsvorschriften und Normen (z.B. EN378, EN60204-1),
- die allgemein anerkannten Sicherheitsregeln,
- die EU-Richtlinien,
- nationale Vorschriften.

2.3 Sicherheitshinweise

sind Anweisungen um Gefährdungen zu vermeiden. Sicherheitshinweise genauestens einhalten!



HINWEIS

Sicherheitshinweis um eine Situation zu vermeiden, die die Beschädigung eines Geräts oder dessen Ausrüstung zur Folge haben könnte.



VORSICHT

Sicherheitshinweis um eine potentiell gefährliche Situation zu vermeiden, die eine geringfügige oder mäßige Verletzung zur Folge haben könnte.



WARNUNG

Sicherheitshinweis um eine potentiell gefährliche Situation zu vermeiden, die den Tod oder eine schwere Verletzung zur Folge haben könnte.



GEFAHR

Sicherheitshinweis um eine unmittelbar gefährliche Situation zu vermeiden, die den Tod oder eine schwere Verletzung zur Folge hat.

2.3.1 Allgemeine Sicherheitshinweise



GEFAHR

Lebensgefährliche Spannungen im Frequenzumrichtergehäuse!



Berühren kann zu schweren Verletzungen oder Tod führen.

FU-Gehäuse niemals im Betrieb öffnen! Hauptschalter ausschalten und gegen Wiedereinschalten sichern.

Mindestens 5 Minuten warten bis alle Kondensatoren entladen sind!

Vor Wiedereinschalten FU-Gehäuse verschließen.



GEFAHR

Eine falsche oder unzureichende Erdung kann bei Berührung des VARIPACK Frequenzumrichters zu lebensgefährlichen elektrischen Schlägen führen!



Den kompletten VARIPACK Frequenzumrichter permanent erden und Erdungskontakte regelmäßig überprüfen!

Vor jedem Eingriff in das Gerät die ordnungsgemäße Isolierung aller Spannungsanschlüsse überprüfen!



HINWEIS

Gefahr von Ausfall des Frequenzumrichters durch Überspannung!

Niemals im Betrieb Hochspannungsprüfungen bzw. Isolationsprüfung an den Leitungen durchführen, ohne den Frequenzumrichter zuvor vom zu prüfenden Stromkreis zu trennen!



VORSICHT

Im Betrieb wird der Kühlkörper des VARIPACK Frequenzumrichters heiß.



Gefahr von Verbrennungen bei Berührung!

Vor Arbeiten am VARIPACK Frequenzumrichter, Stromversorgung trennen und mindestens 15 Minuten warten bis der Kühlkörper abgekühlt ist.

3 Technische Daten

VARIPACK Frequenzumrichter	
Betriebsspannung	380 .. 480 V/3/50 Hz $\pm 10\%$, 380 .. 480 V/3/60 Hz $\pm 10\%$. Betrieb an IT Netzen auf Anfrage. Um eine Kompatibilität mit dieser Netzform und der dort installierten Netzüberwachung zu erhalten, müssen die integrierten EMV-Filter deaktiviert und spezielle externe Filter eingesetzt werden. Betrieb an Generatoren, Notstromaggregaten und Netzen mit Blindstromkompensationsanlagen nur nach Rücksprache mit BITZER.
Erdschlussstrom	> 10 mA
Schutzart	Gehäuseschutzart - IP20 bzw. Open Type UL und cUL Überspannungskategorie III
Lagerung	-25°C .. +55°C
Transport	-25°C .. +70°C
Aufstellort	<ul style="list-style-type: none"> Zulässige Umgebungstemperatur: 0°C .. +50°C. Ab 40°C Umgebungstemperatur pro Grad Celsius Leistungsminderung um 2% (Derating). Bei Auslegung in der BITZER SOFTWARE kann dies direkt mit berücksichtigt werden. Zulässige relative Luftfeuchte: max. 85%, nicht kondensierend (EN60721-3-3 Klasse 3K3 und 3C3). Maximal zulässige Höhe ü. NN: 2000 m. Ab 1000 m ü. NN pro 100 m Leistungsreduzierung um 1% (Derating). Bei Auslegung in der BITZER SOFTWARE kann dies direkt mit berücksichtigt werden. Umgebung nach EN60664-4: Verschmutzungsgrad 1, nicht entflammbar, nicht korrosiv.
Vibrationen / Schwingungen	Test nach EN 60068-2-6 (Fc), 10 Zyklen pro Achse auf jeder von drei zueinander senkrechten Achsen: <ul style="list-style-type: none"> 10 Hz < f < 57 Hz sinusförmig 0,075 mm Amplitude. 57 Hz < f < 150 Hz sinusförmig 1 g.
Sicher abgeschaltetes Moment (STO)	Das sicher abgeschaltete Moment ist eine Sicherheitsfunktion für den elektrischen Leistungsantrieb, siehe Kapitel Sicher abgeschaltetes Moment (STO), Seite 65.
EMV	Der Verdichter mit Frequenzumrichter (FU) entspricht der EU-EMV-Richtlinie 2014/30/EU, siehe Kapitel Elektromagnetische Verträglichkeit (EMV), Seite 63.

Die Auswahl und Zuordnung der VARIPACK Frequenzumrichter zu den BITZER Verdichtern geschieht über die BITZER SOFTWARE unter der Schaltfläche ZUBEHÖR.

Typ	Ge- häu- se	Ge- wicht kg	Aus- gangs- nenn- strom A	Leistung (bei 400 V) kW	Besondere Merkmale	CE-Abnahmen / Bescheini- gungen					Ventila- tor(en)-Nenn- wert(e)	
						C2 EMV Filter	STO	CE	UL ^①	cUL ^①	cTick	m ³ /h
FDU+6	D	4,5	5,5	2,2	Inte- griert	✓	✓	✓	✓	✓	---	---
FDU+12	D	4,5	12	5,5	Inte- griert	✓	✓	✓	✓	✓	45	27
FEU+16	E	6,8	16	7,5	Inte- griert	✓	✓	✓	✓	✓	56	33
FEU+24	E	6,8	23	11	Inte- griert	✓	✓	✓	✓	✓	56	33
FGU+32	G	10,0	32	15	Inte- griert	✓	✓	✓	✓	✓	2x45	2x27
FGU+38	G	10,0	38	18	Inte- griert	✓	✓	✓	✓	✓	2x45	2x27
FHU+45	H	22,3	45	22	Inte- griert	✓	✓	✓	✓	✓	2x89	2x53
FHU+60	H	22,3	60	30	Inte- griert	✓	✓	✓	✓	✓	2x89	2x53
FHU+73	H	22,3	73	37	Inte- griert	✓	✓	✓	✓	✓	2x89	2x53
FJU+87	J	42,8	87	45	Inte- griert	✓	✓	✓	✓	✓	2x45	2x27
FJU+105	J	42,8	105	55	Inte- griert	✓	✓	✓	✓	✓	2x89	2x53
FJU+145	J	42,8	145	75	Inte- griert	✓	✓	✓	✓	✓	2x89	2x53
FKU+180	K	89,0	180	90	Extern*	✓	✓	---	---	✓	3x133	3x80
FKU+205	K	89,0	205	110	Extern*	✓	✓	---	---	✓	3x133	3x80
FKU+260	K	89,0	260	132	Extern*	✓	✓	---	---	✓	3x133	3x80

①: Nur bei Schaltschrankmontage.
* Externer EMV Filter für C2 EMV-Grenze: Teilenummer: 347 955 02, Bezeichnung: 3359-250-28

Tab. 1: Technische Daten, Abnahmen und Ventilatoren-Nennwerte

3.1 Modularer Aufbau des VARIPACK Frequenzumrichters

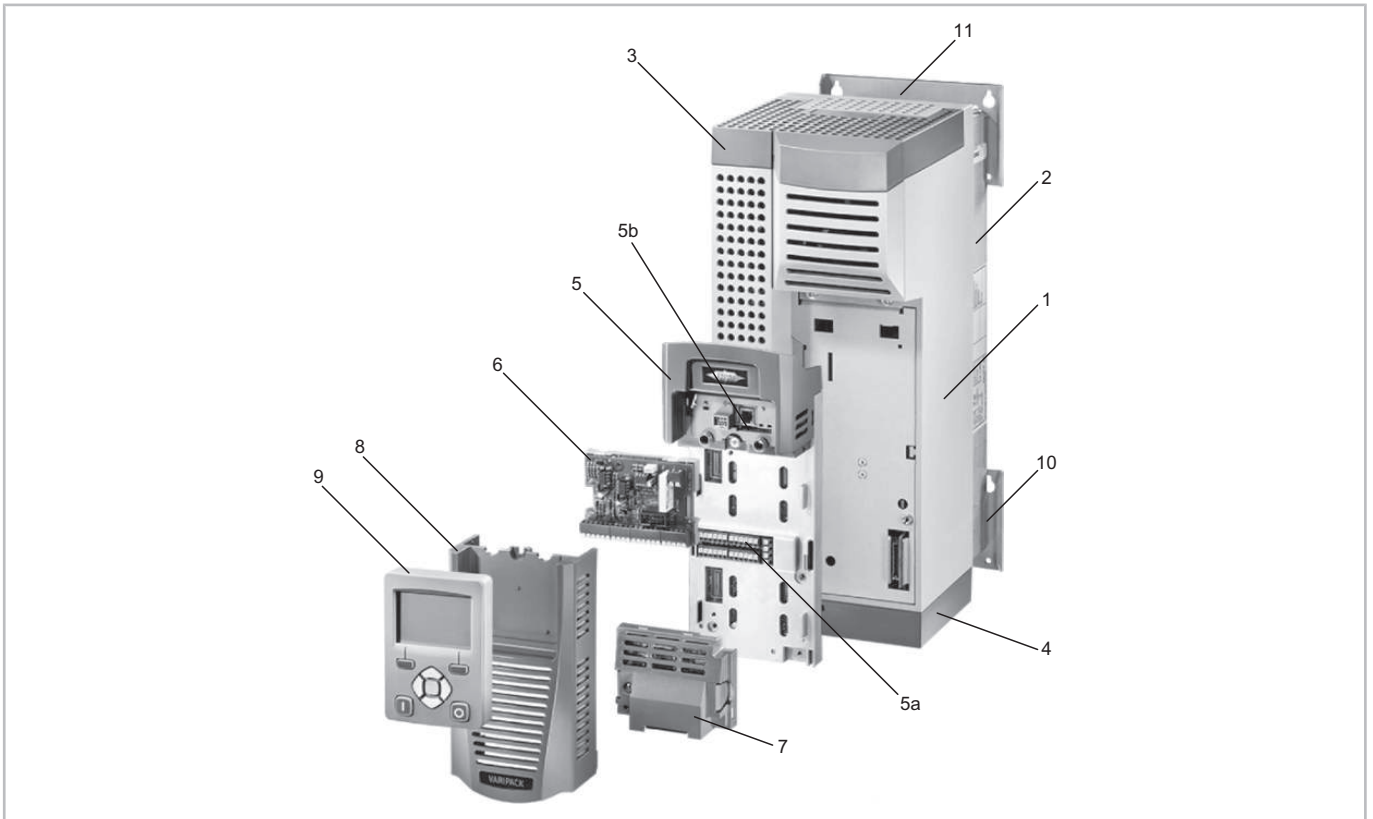


Abb. 1: Modularer Aufbau VARIPACK Frequenzumrichter

1	Leistungsteil	2	Kühlkörper
3	Obere Gehäuseabdeckung	4	Untere Gehäuseabdeckung
5	Steuermodul mit 5a: Klemmleiste 5b: Steckplatz für SD-Karte	6	Erweiterungsbausatz zur Druckregelung (Option)
7	Schnittstellenerweiterung mit Echtzeituhr	8	Steuermodulabdeckung
9	Abnehmbares Bedienteil mit Display und Tastenfeld (Option)	10+11	Befestigungsbleche

4 Montage

i Information
Den VARIPACK Frequenzumrichter immer vertikal montieren.

Die Halterungen für die Leistungs- und Steuerkabel werden standardmäßig als Beipack mitgeliefert und müssen zusammen mit dem Ferritkern bzw. den Ferritkernen (siehe Abbildung 11, Seite 59) bis VARIPACK Gehäusegröße FJU+145 montiert werden um die EMV-Kategorie C2 gemäß EN61800-3 zu erreichen.

4.1 Transport und Lagerung

! HINWEIS
Gefahr von Schäden am VARIPACK Frequenzumrichter!
VARIPACK Frequenzumrichter nicht an den Anschlüssen anheben oder aufsetzen.
Nur auf sauberen, ebenen und trockenen Flächen abstellen.
Lagerung nur an gut belüfteten Orten und geschützt vor hohen Temperaturen, Feuchtigkeit, Staub und Metallpartikeln!

Lagertemperatur: $-25^{\circ}\text{C} \dots +55^{\circ}\text{C}$.

Transporttemperatur: $-25^{\circ}\text{C} \dots +70^{\circ}\text{C}$.

4.2 Belüftung

! HINWEIS
Die VARIPACK Frequenzumrichter geben im Betrieb Wärme ab.
Eine unzureichende oder blockierte Luftzirkulation und Luftzufuhr an den Belüftungsschlitzen und am Kühlkörper des VARIPACK Frequenzumrichters kann zum Ausfall durch Überhitzung führen!
Mindestabstände für die Belüftung einhalten (siehe Abbildung 2, Seite 48)!
Wenn zwei oder mehr VARIPACK Frequenzumrichter nebeneinander montiert sind, Abstände addieren!

Beim Einsatz von Filterventilatoren muss der erforderliche Luftvolumenstrom (m^3/h) sorgfältig ermittelt werden, um eine ausreichende Kühlung aller elektrischen Geräte im Schaltschrank sicher zu stellen. Zum Schutz gegen Temperaturen unter 0°C , sowie zur Vermeidung von Kondensation kann je nach Aufstellungsort und klimatischen Bedingungen eine Schaltschrankheizung erforderlich sein.

Nennwerte der VARIPACK-Ventilatoren, siehe Tabelle 1, Seite 46.

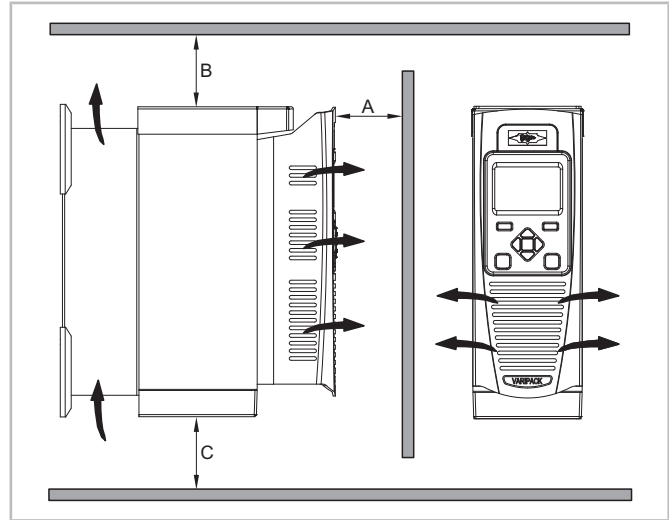


Abb. 2: Mindestbelüftungsabstände bei Schaltschrank- und Durchsteckmontage

Typen	Mindestbelüftungsabstände		
	A	B	C ①
	mm	mm	mm
FDU+6 .. FHU+73	10	75	75
FJU+87 .. FKU+260	10	100	100

Tab. 2: Mindestbelüftungsabstände bei Schaltschrank- und Durchsteckmontage

①: Minimaler Belüftungsabstand, ohne Berücksichtigung des Freiraums für Kabel.

4.3 Schaltschrankmontage

Die Montage des VARIPACK Frequenzumrichters erfolgt mit den Befestigungsblechen im Schaltschrank.

FDU+6 .. FHU+73

Die Befestigungsbleche können durch die alternativen Bohrungen, die in Abständen von 15 mm angeordnet sind, nach oben/unten versetzt werden.

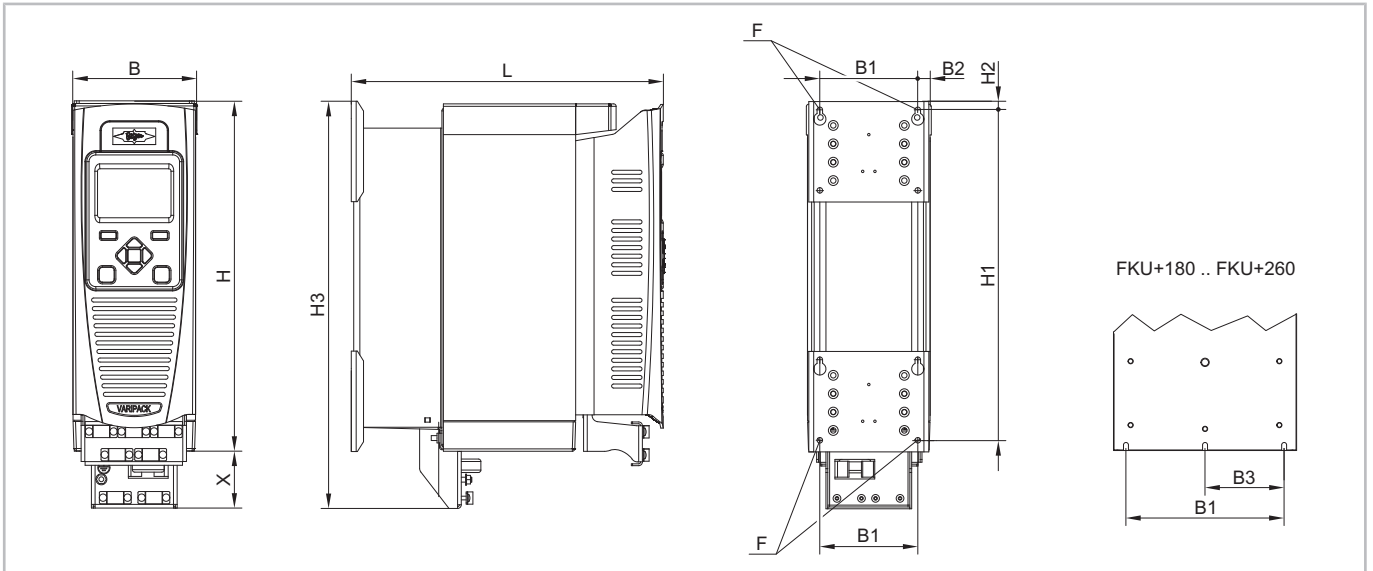


Abb. 3: Maßzeichnung FDU+6 .. FKU+260 bei Schaltschrankmontage (Zeichnung zeigt FDU mit optionalem Bedienteil)

	B	B1	B2	B3	F	H	H1	H2	H3	L	X
	mm	mm	mm	mm		mm	mm	mm	mm	mm	mm
FDU+6, FDU+12	100	80	10	---	M4	286	270	7	332	255	46
FEU+16, FEU+24	125	100	13	---	M4	333	320	7	398	255	62
FGU+32, FGU+38	150	125	13	---	M4	383	370	7	455	255	72
FHU+45 .. FHU+73	220	190	13	---	M5	480	465	7	588	287	108
FJU+87 .. FJU+145	260	220	20	---	M6	670	650	10	870	316	200
FKU+180 .. FKU+260	330	285	23	143	M8	800	780	10	1055	374	255

4.4 Durchsteckmontage (Option)

Bei der Durchsteckmontage befindet sich der Kühlkörper (mit Schutzart IP54) des VARIPACK Frequenzumrichters außerhalb des Schaltschranks.

Dadurch:

- kann ein kleinerer Schaltschrank verwendet werden, da ein Großteil der vom VARIPACK Frequenzum-

richter erzeugten Wärme außerhalb des Schaltschranks abgeführt wird.

- kann die Belüftung des Schaltschranks auf ein Minimum reduziert werden.
- kann der VARIPACK Frequenzumrichter leichter sauber und trocken gehalten werden.

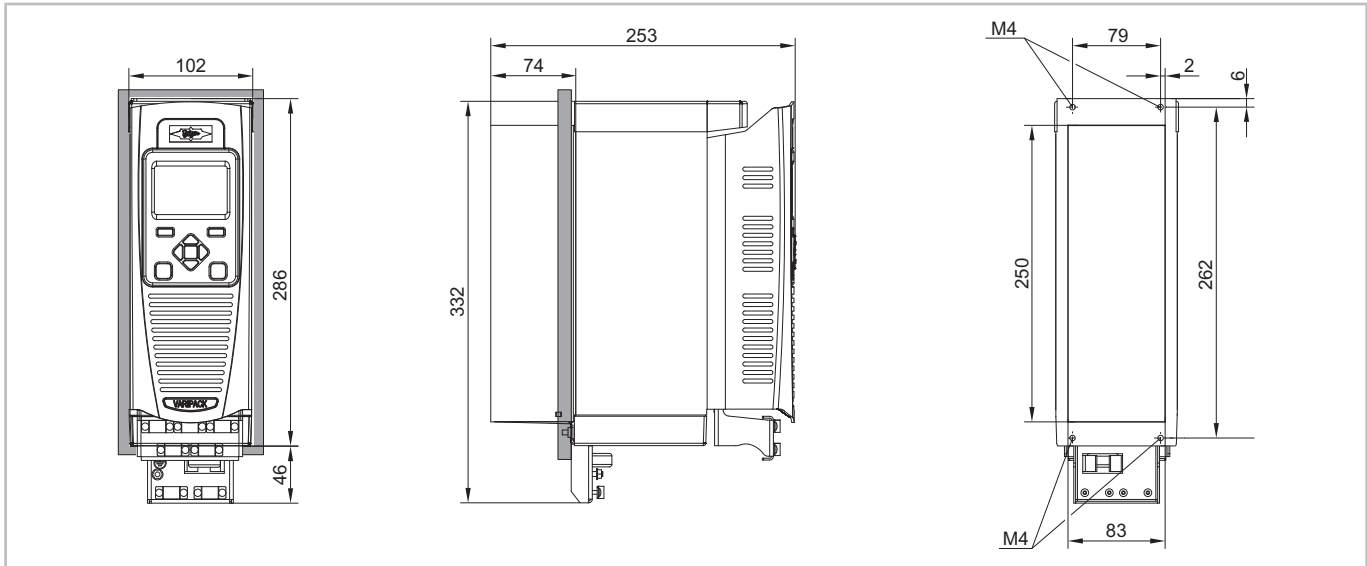


Abb. 4: Maßzeichnung FDU+6, FDU+12 bei Durchsteckmontage (mit optionalem Bedienteil)

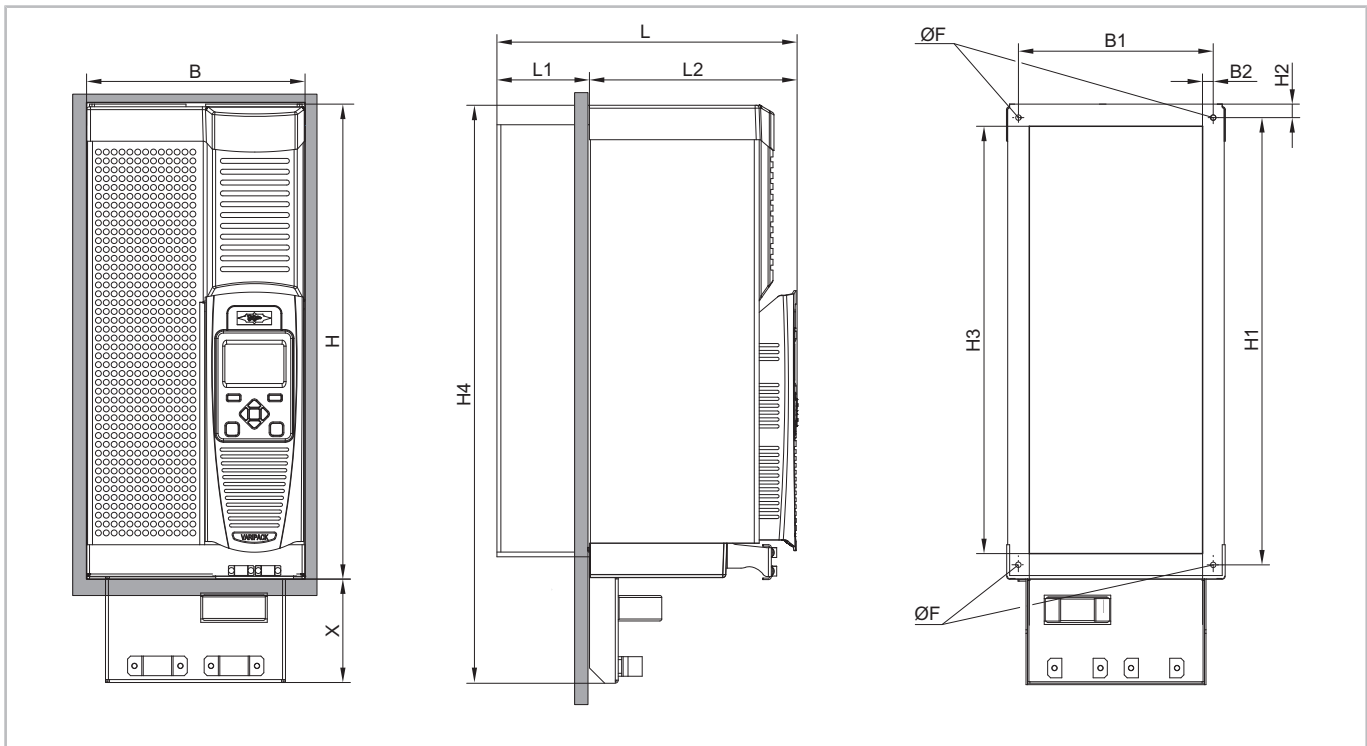


Abb. 5: Maßzeichnung FEU+16 .. FHU+73 bei Durchsteckmontage (mit optionalem Bedienteil)

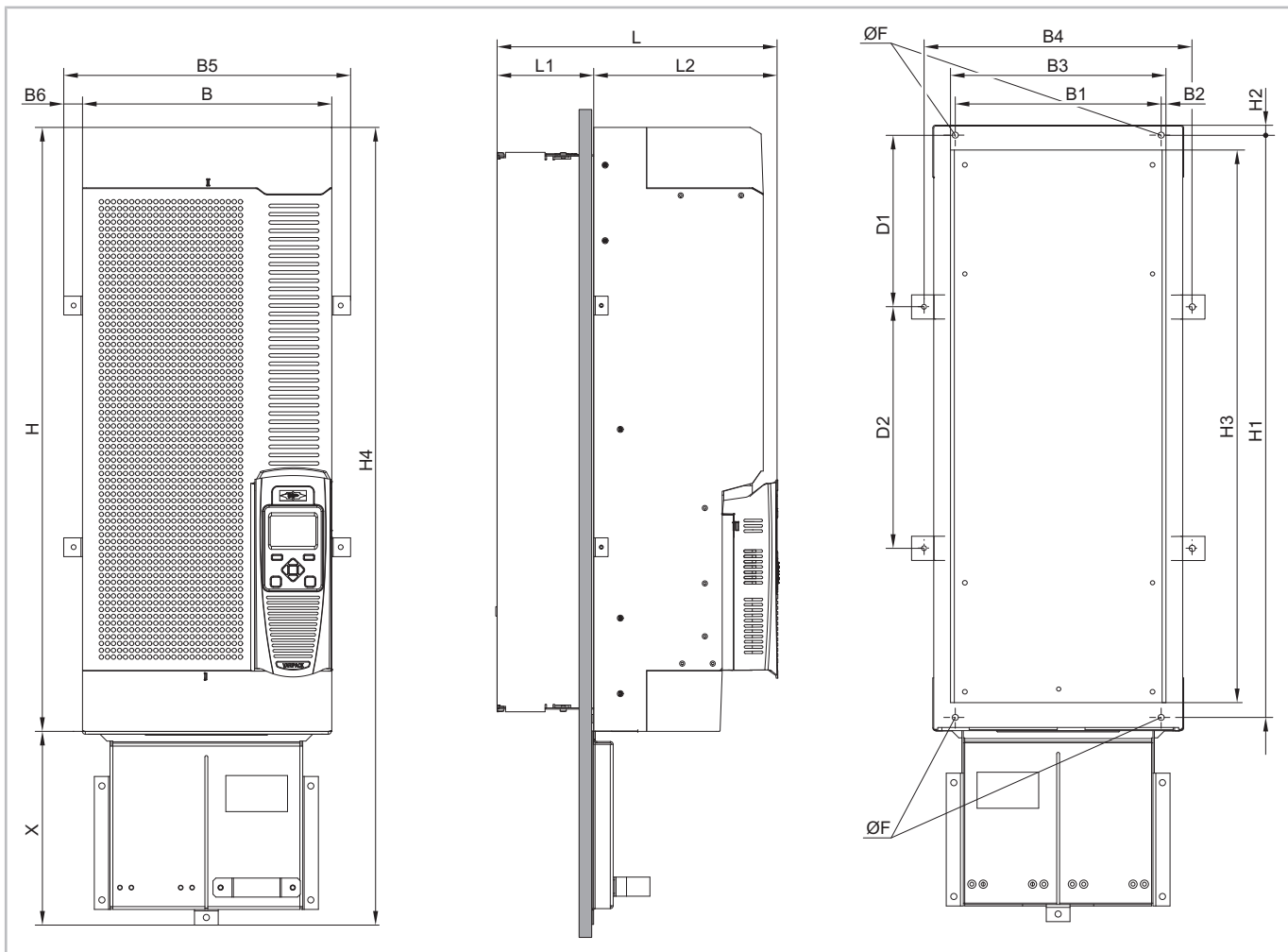


Abb. 6: Maßzeichnung FJU+87 .. FKU+260 bei Durchsteckmontage (mit optionalem Bedienteil)

	B	B1	B2	B3	B4	B5	B6	D1	D2	F
	mm	mm	mm	mm	mm	mm	mm	mm	mm	
FEU+16, FEU+24	125	104	1	102	---	---	---	---	---	M4
FGU+32, FGU+38	150	129	1	127	---	---	---	---	---	M4
FHU+45 .. FHU+73	220	196	1	195	---	---	---	---	---	M5
FJU+87 .. FJU+145	260	218	5	227	292	312	26	208	220	M6
FKU+180 .. FKU+260	330	275	13	300	360	380	26	219	320	M8

	H	H1	H2	H3	H4	L	L1	L2	X
	mm	mm	mm	mm	mm	mm	mm	mm	mm
FEU+16, FEU+24	336	309	6	297	398	253	72	181	62
FGU+32, FGU+38	383	359	6	347	455	253	72	181	72
FHU+45 .. FHU+73	480	456	12	440	588	287	95	192	108
FJU+87 .. FJU+145	670	641	15	617	870	310	99	211	200
FKU+180 .. FKU+260	800	765	10	745	1055	374	128	246	255

4.4.1 Montagearbeiten bei Durchsteckmontage

Grafische Erklärungen siehe Abbildung 7, Seite 53 und siehe Abbildung 8, Seite 54.

- Befestigungsbleche abschrauben.
- Obere (A) und untere (B) Gehäuseabdeckung abmontieren.

Obere Gehäuseabdeckung abmontieren:

FDU+6 und FDU+12:

Damit die obere Gehäuseabdeckung nach vorne geschoben und abmontiert werden kann, muss bei diesen Typen das Steuermodul ausgebaut werden (siehe Abbildung 7, Seite 53).

Steuermodul ausbauen (siehe Abbildung 7, Seite 53):

1. Zunächst das Bedienteil nach vorne ziehen und abnehmen.
 2. Schraube in der Mitte des Steuermoduls lösen, Steuermodulabdeckung etwas nach unten schieben und abnehmen
 3. Die unverlierbare Schraube lösen und das Steuermodul am unteren Rand etwas anheben.
 4. Das Steuermodul so weit wie möglich nach oben schieben und vom Frequenzumrichter abnehmen.
- Jetzt den Plastikclip unter der oberen Gehäuseabdeckung (A) zusammendrücken. Verriegelung löst sich.
 - Die Abdeckung nach vorne schieben und abnehmen.

FEU+16 .. FKU+260:

Bei diesen Typen muss das Steuermodul nicht ausgebaut werden um die obere Gehäuseabdeckung abzunehmen (siehe Abbildung 8, Seite 54).

- Einen Schraubenzieher weit in den Schlitz der oberen Gehäuseabdeckung (A) einstecken und den Clip nach rechts drücken. Verriegelung löst sich.
- Anschließend die obere Gehäuseabdeckung herunterschieben.

Untere Gehäuseabdeckung abmontieren:

Damit die untere Gehäuseabdeckung nach vorne geschoben und abmontiert werden kann, muss bei einigen Typen zuerst das Steuermodul ausgebaut werden.

Steuermodul ausbauen (siehe Abbildung 7, Seite 53):

1. Zunächst das Bedienteil nach vorne ziehen und abnehmen.
 2. Schraube in der Mitte des Steuermoduls lösen, Steuermodulabdeckung etwas nach unten schieben und abnehmen
 3. Die unverlierbare Schraube lösen und das Steuermodul am unteren Rand etwas anheben.
 4. Das Steuermodul so weit wie möglich nach oben schieben und vom Frequenzumrichter abnehmen.
- Den Schraubenzieher in den Schlitz der unteren Gehäuseabdeckung (B) einstecken und leicht nach links drücken. Verriegelung löst sich.
 - Anschließend die untere Gehäuseabdeckung herunterschieben.
 - Im Beipack: Mitgelieferte Dichtung (D) so um den Frequenzumrichter anbringen, dass der Freiraum zwischen Schaltschrankwand (C) und Frequenzumrichter luftdicht versiegelt wird.
 - Den VARIPACK Frequenzumrichter mit den 4 Befestigungsschrauben (E) an die Schaltschrankwand montieren (siehe Abbildung 8, Seite 54).

FGU+32 .. FKU+260:

- Bei diesen Typen müssen zusätzlich die seitlichen Befestigungsglaschen angeschraubt werden. Diese sind im Bausatz für die Durchsteckmontage enthalten.

Anschließend obere und untere Gehäuseabdeckung wieder aufsetzen bzw. aufschieben bis die Plastikclips einrasten.



Information

Wird direkt mit dem Elektrischen Anschluss fortgefahren, kann die untere Gehäuseabdeckung entfernt bleiben.

FDU+6 und FDU+12 und alle weiteren Typen bei denen das Steuermodul ausgebaut wurde:

- Steuermodul wieder aufstecken und nach oben schieben, bis der Clip einrastet.
- Unverlierbare Schraube einschrauben.
- Steuermodulabdeckung aufsetzen bis der Clip einrastet und festschrauben.

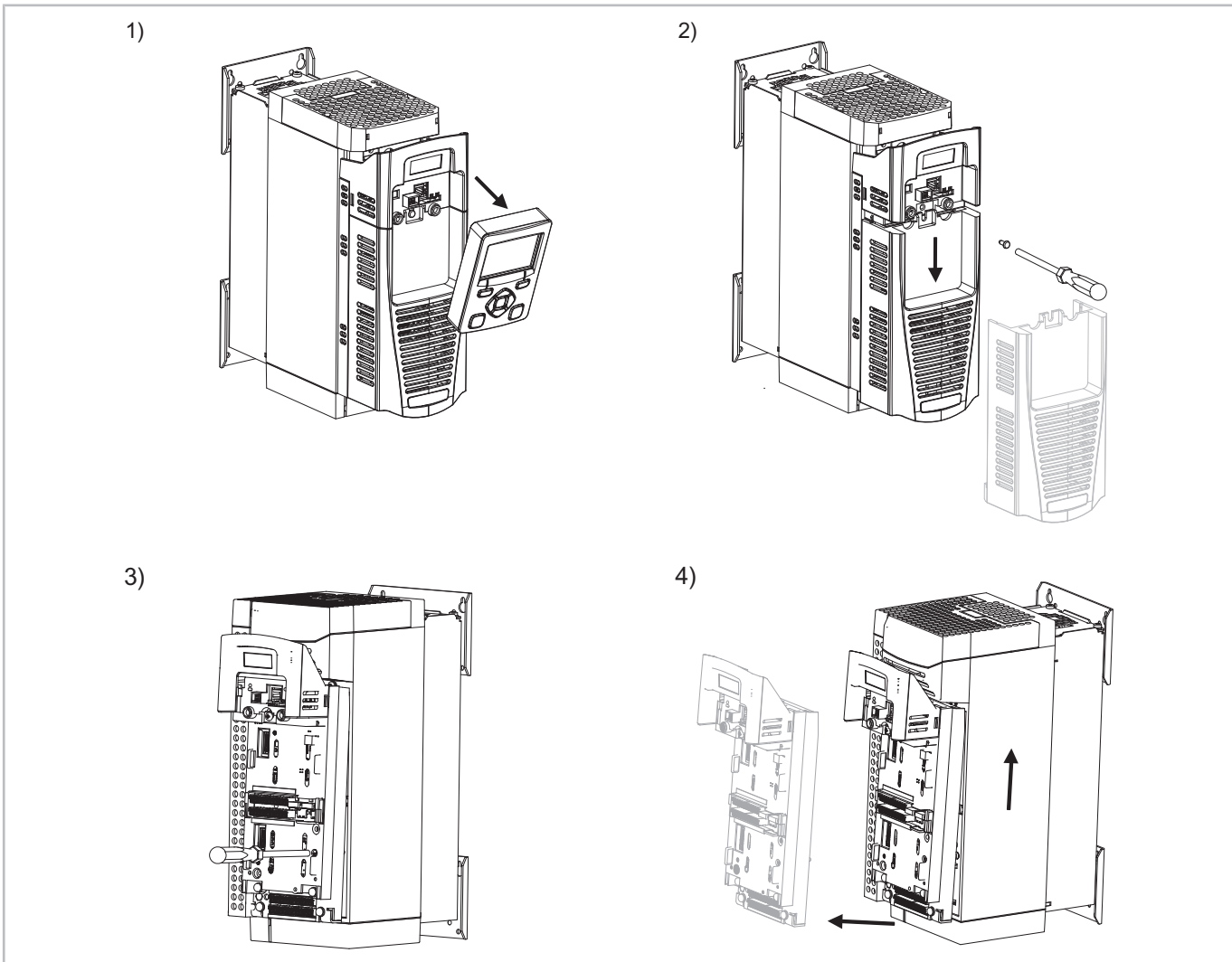


Abb. 7: Steuermodul abmontieren

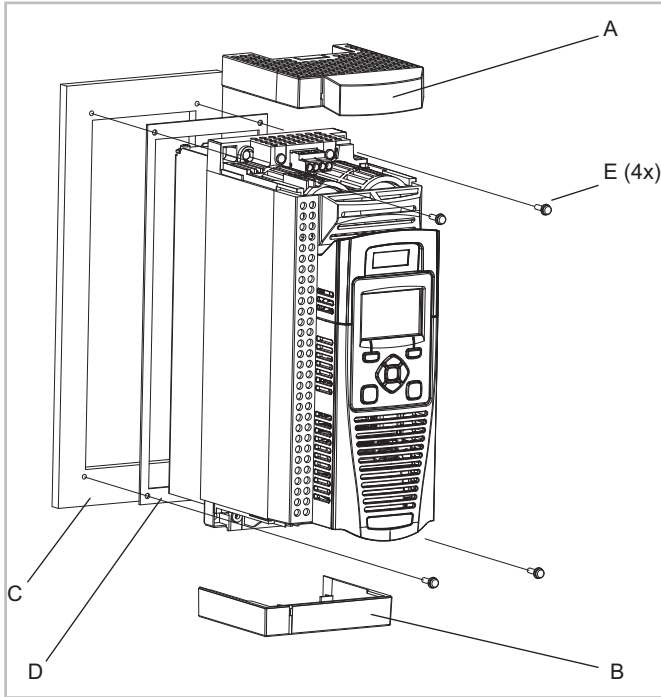


Abb. 8: Detailansicht Durchsteckmontage (am Beispiel FDU)

A	Obere Gehäuseabdeckung
B	Untere Gehäuseabdeckung
C	Schaltschrankwand
D	Dichtung (im Beipack)
E	Befestigungsschrauben

4.5 Montage im Maschinenraum (Option)

Zur freien Montage im Maschinenraum muss zusätzlich der IP21-Bausatz montiert werden, siehe Kapitel Montageanleitung für den IP21 Bausatz, Seite 55. Die Außenmaße der VARIPACK Frequenzumrichter vergrößern sich entsprechend, siehe Abbildung 9, Seite 54.

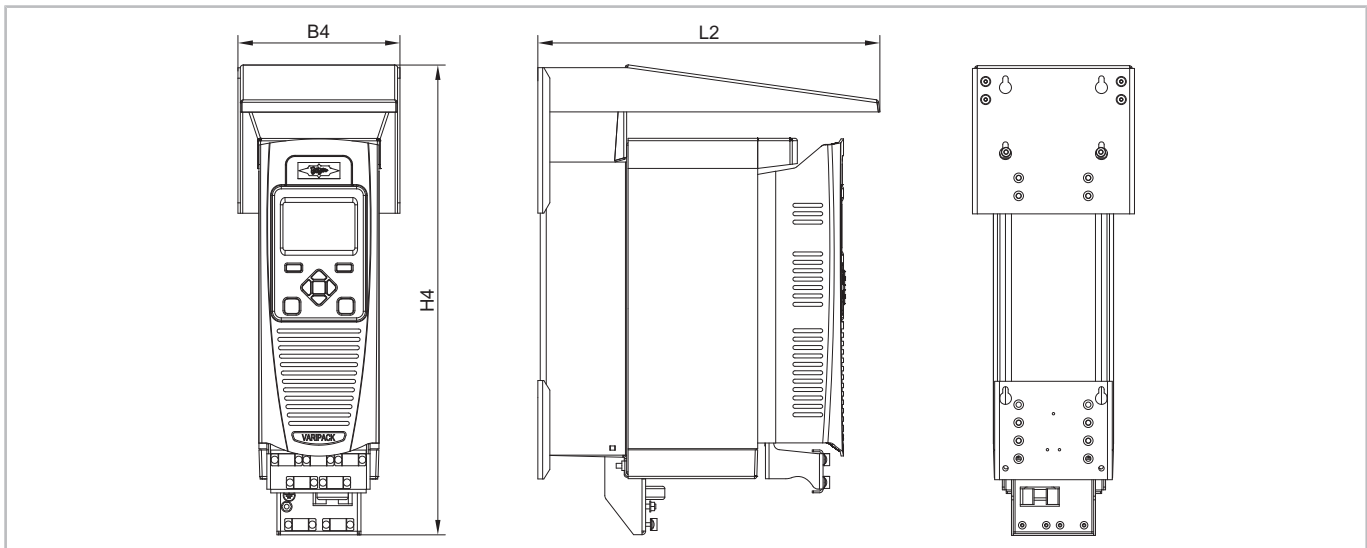
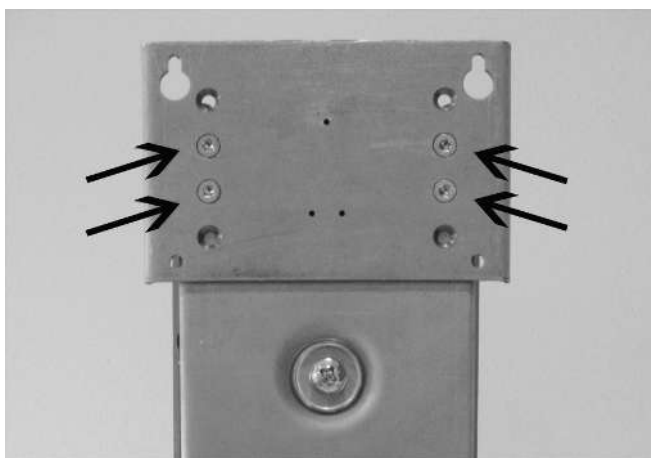


Abb. 9: Maßzeichnung FDU+6 .. FKU+260 bei freier Montage im Maschinenraum mit IP21-Bausatz (Zeichnung zeigt FDU mit optionalem Bedienteil)

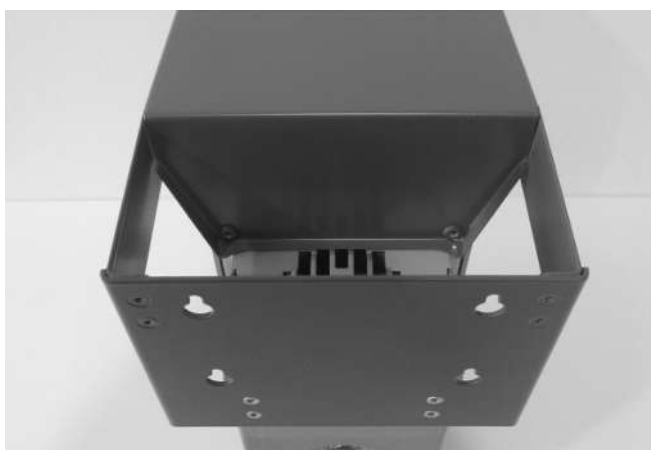
	B4	H4	L2
	mm	mm	mm
FDU+6, FDU+12	135	391	285
FEU+16, FEU+24	160	445	300
FGU+32, FGU+38	215	505	300
FHU+45 .. FHU+73	300	660	355
FJU+87 .. FJU+145	360	940	480
FKU+180 .. FKU+260	450	1160	520

4.5.1 Montageanleitung für den IP21 Bausatz

Für die FU-Typen: FDU, FEU, FGU, FHU.



Oberes Befestigungsblech abschrauben. Dazu die 4 markierten Schrauben lösen.



IP21 Abdeckung anstelle des oberen Befestigungsblechs anschrauben.



- Damit die obere Gehäuseabdeckung nach vorne geschoben und abmontiert werden kann, muss

bei den Frequenzumrichtern FDU das Steuermodul ausgebaut werden (siehe Abbildung 7, Seite 53 und siehe Seite 52).

- Einen Schraubenzieher weit in den Schlitz der oberen Gehäuseabdeckung einstecken und den Clip nach rechts drücken. Verriegelung löst sich.
- Anschließend die obere Gehäuseabdeckung herunterschieben.



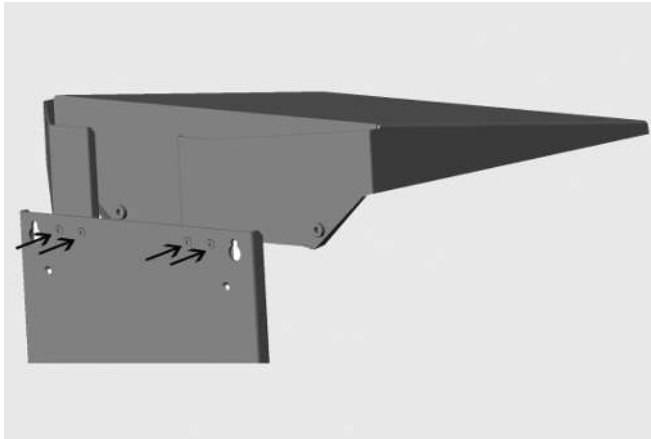
IP21 Abdeckung mit dem im Bausatz enthaltenen Schrauben zusätzlich fixieren.



Abschließend obere Gehäuseabdeckung wieder aufsetzen bzw. aufschieben bis die Plastikclips einrasten.

Bei den Frequenzumrichtern FDU das Steuermodul wieder einbauen (siehe Seite 52).

Für die VARIPACK Frequenzumrichter FJU und FKU.



Bei diesen Typen muss das obere Befestigungsblech nicht abgeschraubt werden!

Die IP21 Abdeckung direkt an das obere Befestigungsblech anschrauben. Anschließend gleich wie bei den Typen FDU .. FHU vorgehen.

4.6 Halterungen für Leistungs- und Steuerkabel montieren

Die Halterungen für die Leistungs- und Steuerkabel werden standardmäßig als Beipack mitgeliefert und müssen zusammen mit dem Ferritkern bzw. den Ferritkernen (siehe Abbildung 11, Seite 59) bis VARIPACK Gehäusegröße FJU+145 montiert werden um die EMV-Kategorie C2 gemäß EN61800-3 zu erreichen.

Grafische Erklärungen siehe Abbildung 10, Seite 56.

Hintere Halterung für Leistungskabel montieren:

- Untere Gehäuseabdeckung abnehmen (siehe Kapitel Durchsteckmontage (Option), Seite 50). Falls nötig muss zuerst das Steuermodul ausgebaut werden (siehe Seite 52)
- Halterung von hinten, unten an die beiden Befestigungslöcher ansetzen und die mitgelieferten Schrauben von vorne einsetzen und festziehen.
- Untere Gehäuseabdeckung wieder aufstecken und ggf. Steuermodul wieder einbauen (siehe Seite 52).

Vordere Halterung für Steuerkabel montieren:

- Steuermodulabdeckung entfernen (siehe Kapitel Durchsteckmontage (Option), Seite 50).
- Schnittstellenerweiterung mit Echtzeituhr abschrauben. Dazu die unverlierbare Schraube an der Schnittstellenerweiterung lösen und die Plastikclips rechts und links nach innen drücken. Verriegelung löst sich.
- Schnittstellenerweiterung nach vorne herausziehen.
- Halterung für Steuerkabel in die nun sichtbaren Befestigungslöcher rechts und links von vorne mit den beiliegenden Schrauben einschrauben.
- Schnittstellenerweiterung wieder aufsetzen, bis die Plastikclips einrasten und unverlierbare Schraube festziehen.
- Steuermodulabdeckung wieder anschrauben.

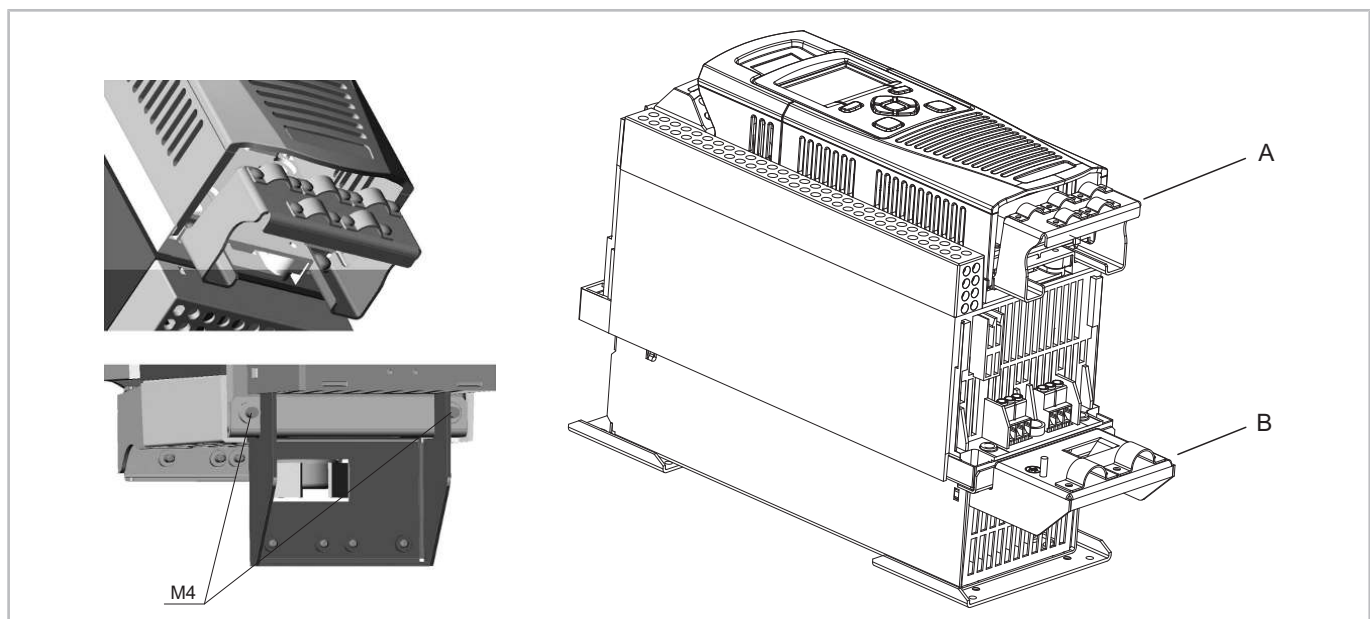


Abb. 10: Halterungen für Leistungs- und Steuerkabel montieren, am Beispiel FEU+16 bei Schaltschrankmontage

A Vordere Halterung für Steuerkabel

B Hintere Halterung für Leistungskabel

5 Elektrischer Anschluss

Vor Arbeiten an der Elektrik:



GEFAHR

Lebensgefährliche Spannungen im Frequenzumrichtergehäuse!



Berühren kann zu schweren Verletzungen oder Tod führen.

FU-Gehäuse niemals im Betrieb öffnen! Hauptschalter ausschalten und gegen Wiedereinschalten sichern.

Mindestens 5 Minuten warten bis alle Kondensatoren entladen sind!

Vor Wiedereinschalten FU-Gehäuse verschließen.



GEFAHR

Sobald der VARIPACK Frequenzumrichter unter Spannung steht, werden die Kondensatoren im Zwischenkreis geladen.



Ab diesem Zeitpunkt geht von allen elektrischen Bauteilen im VARIPACK Frequenzumrichter Gefahr aus!

Für den Betrieb des VARIPACK Frequenzumrichters sind folgende elektrische Anschlüsse nötig:

- VARIPACK Erdungsanschluss.
- VARIPACK Leistungsanschlüsse (Strom- und Motor-kabel).
- VARIPACK Steueranschlüsse.

Für Auslegung der Kabeldurchmesser, Sicherungen und Anzugsmomente der Erdungs- und Leistungsanschlüsse siehe Tabelle 3, Seite 57. Sicherungen des Typs gL/gG verwenden oder Überlastschalter mit entsprechender Charakteristik einbauen.

Typ	Eingangsnennstrom	Minimale .. Maximale Kabeldurchmesser und Anzugsmomente (in Nm)				Sicherungen	
		Leistungsanschlüsse		Erdungsanschlüsse		Max. Sicherungsnennstrom (A)	UL, cUL (Typ)
	A		Nm		Nm	Standard	
FDU+6	7,6	0,05 .. 6 mm ²	0,56 .. 0,8	M4	1,8	10	10 (Class J)
FDU+12	10,6					16	20 (Class J)
FEU+16	14,5					20	25 (Class J)
FEU+24	20,4					25	30 (Class J)
FGU+32	28,5	1 .. 10 mm ² (16 mm ² mit Kabelklemme)	1,35	M4	1,8	32	40 (Class J)
FGU+38	33,5					40	50 (Class J)
FHU+45	40	1,3 .. 25 mm ²	2,0	M5	3,6	63	60 (Class J)
FHU+60	54,7					80	80 (Class J)
FHU+73	66,2					100	100 (Class J)
FJU+87	78,8	M8 Stift, für Kabelschuhe oder Aderendhülsen bis 26,5 mm Länge (min. 25 mm ²)	20	M8	20	125	125 (A50QS-125-4)
FJU+105	95,8					160	150 (A50QS-150-4)
FJU+145	130					200	200 (A50QS-200-4)
FKU+180	160	M8 Stift, für Kabelschuhe oder Aderendhülsen bis 32 mm Länge (min. 25 mm ²)	20	M8	20	250	250 (A50QS-250-4)
FKU+205	198					315	300 (A50QS-300-4)
FKU+260	236					400	350 (A50QS-350-4)

Tab. 3: Kabeldurchmesser, Anzugsmomente und Sicherungen

5.1 Erdungsanschluss

Die EN 61800-5-1 (Produktnorm für elektrische Leistungsantriebssysteme mit einstellbarer Drehzahl) und DIN EN 50178 DIN VDE 0160 (Ausrüstung von Starkstromanlagen mit elektronischen Betriebsmitteln) stellen besondere Anforderungen an die Erdung, sobald 3,5 mA Erdableitstrom überschritten werden.

- Der Querschnitt des Schutzleiters bei den Phasen (L1, L2, L3) $< 16 \text{ mm}^2$ muss einfach ausgeführt 10 mm^2 betragen oder mit dem jeweiligen Phasenquerschnitt doppelt ausgeführt werden.
- Bei Phasen (L1, L2, L3) $\geq 16 \text{ mm}^2$ und $\leq 35 \text{ mm}^2$ muss der Schutzleiter 16 mm^2 betragen.
- Bei Phasen (L1, L2, L3) $> 35 \text{ mm}^2$ muss der Querschnitt des Schutzleiters mindestens 50% der verwendeten Phasen (L1, L2, L3) betragen.

Alle im VARIPACK Frequenzumrichter freiliegenden Metallteile sind durch eine Basisisolierung geschützt und geerdet.



WARNUNG

Die VARIPACK Frequenzumrichter können einen Gleichstrom im Schutzleiter verursachen. Gefahr von Stromschlag bei Berührung! Wo für den Schutz im Falle einer direkten oder indirekten Berührung eine Fehlerstromschutzeinrichtung (RCD) oder ein Fehlerstromüberwachungsgerät (RCM) verwendet wird, ist auf der Stromversorgungsseite dieses Produktes nur ein RCD oder RCM vom Typ B (gemäß IEC/EN 60755) zulässig!

Fehlerstromschutzschalter (RCD oder FI-Schalter)

- Nur allstromsensitive FI-Schutzschalter (RCD) vom Typ B verwenden, die in der Lage sind auch Gleichfehlerströme zu erfassen verwenden.
- RCD in Bezug auf Systemkonfiguration und Umgebungsbedingungen bemessen.

5.2 Leistungsanschlüsse (Kabel zur Spannungsversorgung und Motorkabel)



GEFAHR

Eine falsche oder unzureichende Erdung kann bei Berührung des VARIPACK Frequenzumrichters zu lebensgefährlichen elektrischen Schlägen führen!

Den kompletten VARIPACK Frequenzumrichter permanent erden und Erdungskontakte regelmäßig überprüfen!

Vor jedem Eingriff in das Gerät die ordnungsgemäße Isolierung aller Spannungsanschlüsse überprüfen!

Grafische Erklärungen siehe Abbildung 11, Seite 59.

- Kabel zur Spannungsversorgung und Motorkabel durch die vorgesehenen Kabeleingänge unter den Kabelschellen in den VARIPACK Frequenzumrichter führen (siehe Abbildung 11, Seite 59) und Leistungsklemmen anschließen. Anzugsmomente der Klemmen beachten (siehe Tabelle 3, Seite 57).
 - Anschluss der Spannungsversorgung an die Klemmen L1, L2, L3 und Schutzleiter.
 - Anschluss des Motorkabels an die Klemmen U(M1), V(M2), W(M3) und Schutzleiter.
 - Hinweise zur Elektromagnetischen Verträglichkeit (EMV) (siehe Kapitel Elektromagnetische Verträglichkeit (EMV), Seite 63) beachten!
- Die VARIPACK Frequenzumrichter sind standardmäßig mit einer Abschaltfunktion, dem sicher abgeschalteten Moment (STO) ausgestattet. Durch diese STO-Funktion kann auf den Hauptschutz vor oder nach dem VARIPACK Frequenzumrichter verzichtet werden (siehe Kapitel Prinzipschaltbilder Halbhermetische Hubkolbenverdichter, Seite 67). Weitere Hinweise zur STO-Funktion, siehe Kapitel Sicher abgeschaltetes Moment (STO), Seite 65.

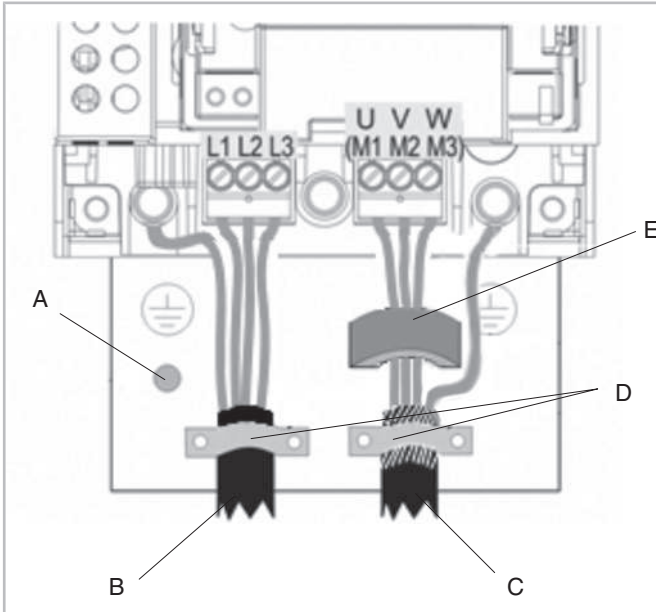


Abb. 11: Leistungsanschlüsse (Kabel zur Spannungsversorgung und Motorkabel) mit Halterung

A	Erdung	B	Kabel zur Spannungsversorgung / Klemmen für Netz-nennspannung
C	Motorkabel / Motorklemmen	D	Kabelschellen
E	Ferritkern		

5.3 Steueranschlüsse (Ein- und Ausgänge)



Information

Das Steuermodul muss zur Erfüllung der EMV- und Sicherheitsanforderungen außerhalb des Gerätes geerdet sein!



Information

Die gesamte externe Verdrahtung muss für die höchste Systemspannung zugelassen sein! Alle Steuer- und Signalklemmen garantieren Sicherheitskleinspannungen (SELV), d. h. sie sind durch eine doppelte Isolierung geschützt.

Spezifikation der Steueranschlüsse:

- Leitungen ganz ohne oder mit unisolierten Aderendhülsen: 0,25 .. 1,5 mm².
- Leitungen mit isolierten Aderendhülsen: 0,25 .. 0,75 mm².

Digitaleingänge

• Funktion

- X13: 2: DI1 (Start)
Verdichteranlauf-Befehl.
- X13: 3: DI2 (Force)
Betrieb des Verdichters mit einer Minimalfrequenz von 50 Hz.
- X13: 4: DI3 (p01 → 2)
Externe Regelung: ohne Funktion.
Mit Erweiterungsmodul: Umschaltung von Verdampfungstemperatur-Sollwert 1 auf 2.
- X12: 1: DI4 (pc1 → 2)
Externe Regelung: ohne Funktion.
Mit Erweiterungsmodul: Umschaltung von Verflüssigungstemperatur-Sollwert 1 auf 2.
- X12: 2: DI5 (Reset)
Entriegeln von Störungen.
- X12: 3: DI6 (Detection)
Automatische Erkennung des Erweiterungsmoduls.

• Technische Daten

- Status:
Aus: 0 .. 5 V =
Undefiniert: 5 .. 15 V =
Ein: 15 .. 24 V =
- Max. Eingangsspannung: ± 30 V =
- Eingangsimpedanz: 3,3 kΩ.
- Eingangsstrom: 7,3 mA ± 10% bei 24 V =
- Common auf X10:4

Analogeingänge

• Funktion

- X11: 1: AI1 (mA / p0)
Externe Regelung: Sollwert als 4 .. 20 mA Signal.
X10: 2: Common
Mit Erweiterungsmodul: Eingang für Niederdruck vom Erweiterungsmodul kommend (→X11:1)
- X11: 2: AI2 (V / pc)
Externe Regelung: Sollwert als 0 .. 10 V Signal.
X10: 2: Common

Mit Erweiterungsmodul: Eingang für Hochdruck vom Erweiterungsmodul kommend (→X11:2).

- Technische Daten
 - Eingangssignal: 0 .. 10 V oder 4 .. 20 mA
 - Max. Eingangsstrom: < 25 mA (Stromsignal)
 - Max. Eingangsspannung: ± 24 V = (Spannungssignal)
 - Eingangsimpedanz:
Spannungsbereich: 22 k Ω
Strombereich: 120 Ω

Digitalausgänge

- Funktion
 - X12: 4: DO3 (Comp. 2)
Externe Regelung: ohne Funktion.
Mit Erweiterungsmodul: Start des 2. Verdichters.
- Technische Daten
 - Ausgangssignal: 24 V = (Minimum 21 V =)
 - Max. Ausgangsstrom: 140 mA.
(Der maximal verfügbare Gesamtstrom beträgt 140 mA, entweder einzeln oder als Summe der digitalen Ausgänge und der benutzerseitigen + 24 V = Versorgung).

Analogausgänge

- Funktion
 - X11: 3: AO1 (Fan)
Externe Regelung: ohne Funktion.
Mit Erweiterungsmodul: Ansteuerung Verflüssigerventilator 0 .. 10 V.
 - X11: 4: AO2
Reserve.
- Technische Daten
 - Ausgangssignal: 0 .. 10 V.
 - Max. Ausgangsstrom: 10 mA, mit Kurzschlusschutz.
 - Ausgangsimpedanz: Spannungsbereich ≥ 1 k Ω .

Relais

- Funktion
 - X14: 1: Relay 1A → X14: 2: Relay 1B
Verdichter betriebsbereit.

- X14: 3: Relay 2A → X14: 4: Relay 2B
Verdichter läuft (Werkseinstellung) oder kein Fehler über Parameter Logik des Ausgangs DO1 konfigurierbar.

- Technische Daten
 - Potenzialfreies Relais.
 - Schaltstrombereich: 1 mA bis max. 3 A ohmsche Last
 - Schaltspannungsbereich: 5 V \simeq bis max. 250 V \simeq oder 30 V =
 - Der Schutz vor induktiven oder kapazitiven Lasten muss durch externe Maßnahmen erfolgen.



Information

Die STO-Eingänge müssen beschaltet werden um den Anlauf des Verdichters zu ermöglichen!

STO (Eingangskreis)

- Funktion (siehe Kapitel Sicher abgeschaltetes Moment (STO), Seite 65)
 - X10: 1: Input A und X10: 3: Input B.
Eingänge STO (Sicher abgeschaltetes Moment).
Eingänge müssen gleichzeitig geschaltet werden.
 - X10: 2: Common und X10: 4: Common.
Klemmen sind intern verbunden. Somit ist nur eine Kabelader erforderlich.
- Technische Daten
 - Typischer Eingangsstrom bei 24 V: 9 mA
 - Status:
Aus (empfohlen): 0 .. 5 V =
Undefiniert: 5 .. 21,6 V =
Ein (empfohlen): 21,6 .. 26,4 V =
 - Max. Eingangsspannung: ± 30 V =

STO Status

- Funktion (siehe Kapitel Sicher abgeschaltetes Moment (STO), Seite 65)
 - X10: 5 Status A → X10: 6: Status B
Dieser Ausgang ist aktiv (geschlossen), wenn der STO- Kreis im sicheren Zustand ist, d. h. wenn der Frequenzumrichter den Motor kein Drehmoment produzieren lässt.
- Technische Daten
 - Potenzialfreies Halbleiter-Relais.

- Max. Spannung: ± 30 V.
- Max. Ausgangsstrom: 150 mA.
- Überstromschutz integriert.
- Widerstand zwischen Ausgangsklemmen: $< 6 \Omega$.

5.4 Betriebsarten

Der VARIPACK Frequenzumrichter kann in zwei unterschiedlichen Betriebsarten betrieben werden:

- Leistungsregelung des Verdichters in Abhängigkeit eines externen Sollwert-Signals (siehe Kapitel Leistungsregelung des Verdichters in Abhängigkeit eines externen Sollwert-Signals, Seite 61).
- Leistungsregelung des Verdichters in Abhängigkeit des Verdampfungsdrucks, dafür wird das optionale Erweiterungsmodul zur Druckregelung benötigt (siehe Kapitel Leistungsregelung des Verdichters in Abhängigkeit des Verdampfungsdrucks, Seite 62).

Neben der direkten Verdampfungsdruckregelung kann der Verflüssigerventilator über ein 0 .. 10 V Ausgangssignal geregelt und ein zweiter Verdichter hinzu geschaltet werden.

5.4.1 Leistungsregelung des Verdichters in Abhängigkeit eines externen Sollwert-Signals

Steuercharakteristik "Min .. Max"

Die VARIPACK Frequenzumrichter können ohne Parameteränderung mit einem 0 .. 10 V oder 4 .. 20 mA Signal gemäß der Steuercharakteristik "Min .. Max" angesteuert werden.

- Bei der Steuercharakteristik "Min .. Max" läuft der Verdichter an, wenn der Anlaufbefehl DI1 (X13: 2) erteilt wird. Das Sollwertsignal steuert die Frequenz linear zwischen der minimalen und maximalen Frequenz des Verdichters.
 - Wird ein 0 .. 10 V Signal verwendet ist dies am Eingang AI2 (X11: 2) anzuschließen.
 - Wird ein 4 .. 20 mA Signal verwendet ist dies am Eingang AI1 (X11: 1) anzuschließen.

Grafische Erläuterung der Steuercharakteristik "Min .. Max" siehe Abbildung 12, Seite 61.

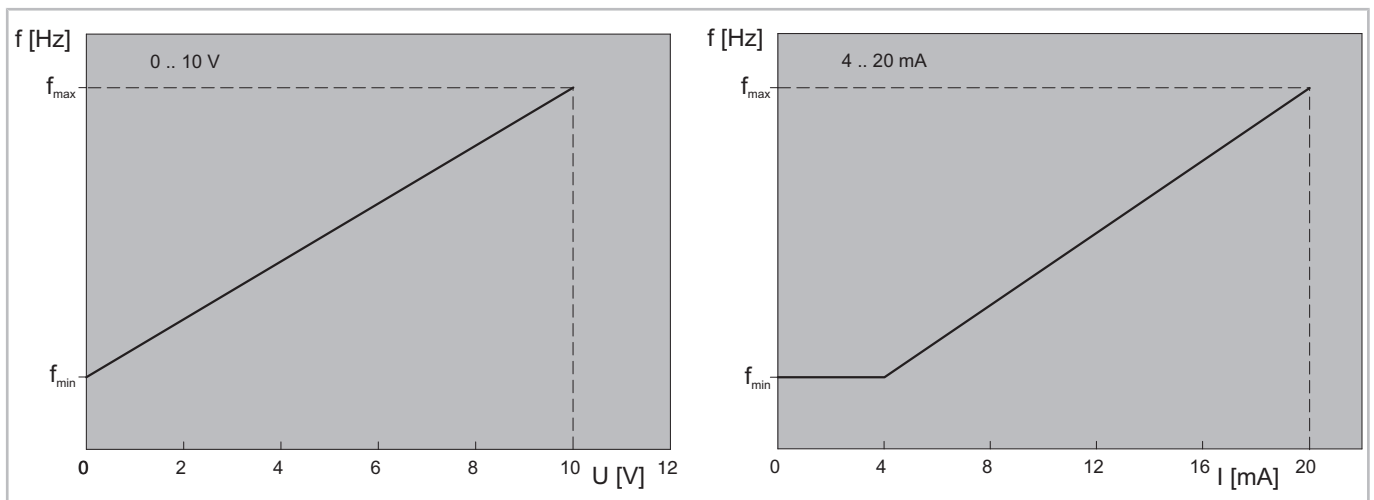


Abb. 12: Steuercharakteristik "Min ..Max"

Steuercharakteristik "0 .. Max"

Alternativ kann die Steuercharakteristik "Min .. Max" durch Parameteränderung auf "0 .. Max" umgestellt werden.

- Bei der Steuercharakteristik "0 .. Max" ist für den Start des Verdichters neben dem Anlaufbefehl DI1 (X13: 2) ein Sollwertsignal von > 1% (0,1 V) erforderlich.

derlich. Das Sollwertsignal gibt die Frequenz zwischen 0 Hz und der maximalen Frequenz vor. Ist das Signal > 1% aber niedriger als die minimale Frequenz des Verdichters, läuft der Verdichter mit minimaler Frequenz.

Grafische Erläuterung der Steuercharakteristik "0 .. Max" siehe Abbildung 13, Seite 62.

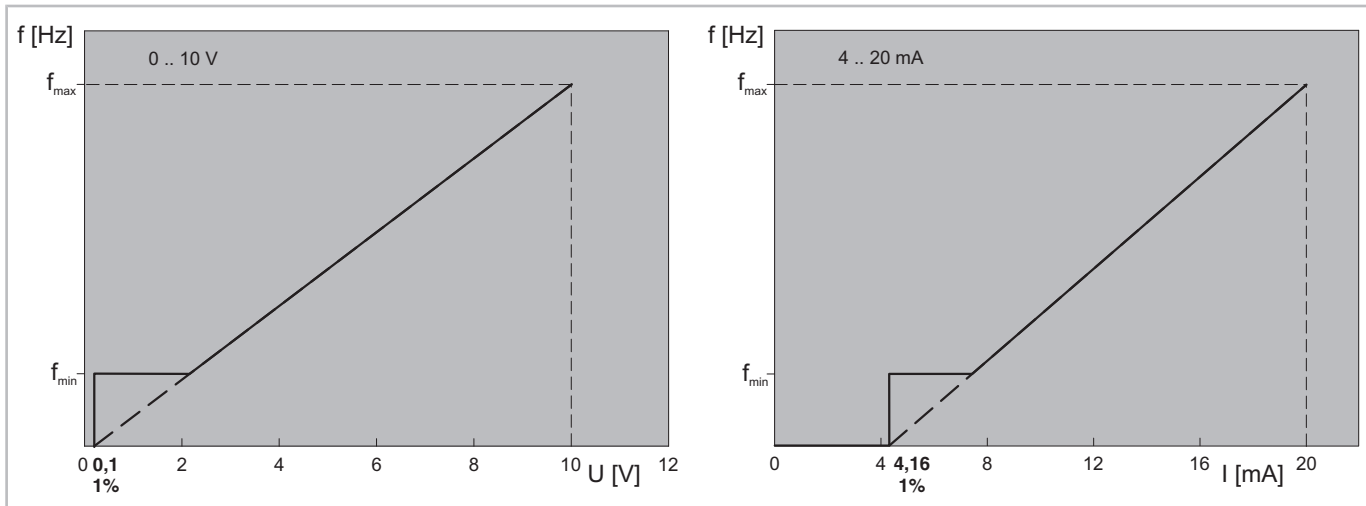


Abb. 13: Steuercharakteristik "0 .. Max"

5.4.2 Leistungsregelung des Verdichters in Abhängigkeit des Verdampfungsdrucks

Um die Leistung des Verdichters in Abhängigkeit des Verdampfungsdrucks zu regeln wird das optionale Erweiterungsmodul zur Druckregelung benötigt.

Erweiterungsmodul-Bausatz (Teilenummer 347 972 01) montieren:

- Erweiterungsmodul auf den oberen Steckplatz des FU-Steuermoduls aufstecken und festschrauben.
- Ratiometrische Druckmessumformer
 - Druckmessumformer mit der Beschriftung „2CP5-71-49“ auf der Niederdruckseite installieren.
 - Druckmessumformer mit der Beschriftung „2CP5-71-47“ auf der Hochdruckseite installieren.
 - Bei Schraderventilen die Druckmessumformer ohne Kupferdichtring installieren um ein sicheres Öffnen zu gewährleisten.

Verdrahtung des Erweiterungsmoduls siehe Kapitel Prinzipschaltbilder Halbhermetische Hubkolbenverdichter, Seite 67.

Funktion und Technische Daten des Erweiterungsmoduls

- X1: 1, 2 und 3
 - Eingang für ratiometrischen Niederdruckmessumformer.
 - Korrekte Funktion wird durch blaue LED angezeigt.
- X1: 4, 5 und 6
 - Eingang für ratiometrischen Hochdruckmessumformer.
 - Korrekte Funktion wird durch rote LED angezeigt.
- X2: 1
 - Analogausgang zur Übertragung des Niederdruckwerts an den FU (X11: 1: AI1).
- X2: 2
 - Analogausgang zur Übertragung des Hochdruckwerts an den FU (X11:2: AI2).
- X3: 1
 - Eingang für 24 V = Spannungsversorgung vom FU kommend (X12: 5).

- X3: 2, 3, 4, 5 und 6
 - 24 V = Ausgänge.
 - Erlauben eine einfache Verdrahtung der Digital-
eingänge des Frequenzumrichters.
- X4: 4
 - Digitalausgang zur automatischen Erkennung des
Erweiterungsmoduls durch den Frequenzumrich-
ter (X12: 3: DI6).
- X4: 5
 - Digitaleingang zum Empfang des Anlaufbefehls
für den 2. Verdichter vom Frequenzumrichter
(X12: 4: DO3).
 - Schaltet das Relais X5.
- X5: 1 und 2
 - Potenzialfreies Relais zum Anlauf des 2. Verdich-
ters.
 - Max. Spannung: 250 V \sim .
 - Der Schutz vor induktiven oder kapazitiven Lasten
muss durch externe Maßnahmen erfolgen.
 - Max. Strom: 6 A ohmsche Last.

5.5 Elektromagnetische Verträglichkeit (EMV)

Übersicht siehe Abbildung 14, Seite 64.

Die VARIPACK Frequenzumrichter entsprechen den
EU-EMV-Richtlinien 2014/30/EU und 2004/108/EG.

Störfestigkeit:

- EN61000-6-1:2007, Störfestigkeit für Wohnbereich,
Geschäfts- und Gewerbebereiche sowie Kleinbetrie-
be.
- EN61000-6-2:2005, Störfestigkeit für Industrieberei-
che.

Für die Störaussendung von Frequenzumrichtern gilt
der Produktstandard EN61800-3, der zwischen den
Kategorien C1 – C4 unterscheidet. Verglichen mit den
Fachgrundnormen entspricht dabei die Kategorie C2
gemäß EN61800-3:2004, der EN61000-6-4:2007+A1:
2011. Die Kategorie C3 ist nicht übertragbar. Im Fol-
genden werden nur noch die C-Kategorien beschrie-
ben.

Allgemeine EMV-Anforderungen zur Erfüllung der Kate-
gorie C2:

- Einsatz eines geschirmten Kabels zwischen FU und
Motor (Motorkabel), siehe Abbildung 11, Seite 59.
 - Schirm beidseitig auflegen.

- Verdichter-Anschlusskasten aus Metall und EMV-
Kabelverschraubung verwenden.
- Schirm im Schaltschrank bis zum VARIPACK füh-
ren und auf die Kabelhalterung des VARIPACK
auflegen.

- Das Motorkabel
 - sollte andere Kabel nicht kreuzen. Falls doch,
Kreuzungen nur im 90° Winkel vornehmen!
 - möglichst getrennt von der Zuleitung und den
Steuerleitungen verlegen. Falls eine parallele Ver-
legung nicht vermeidbar ist, mindestens 0,25 m
Abstand einhalten.

Detaillierte Informationen zu den Oberwellen siehe Ka-
pitel Analyse der Oberwellen FDU+6 .. FKU+260, Seite
64.



WARNUNG

Hochfrequente EMV-Störung des Spannungs-
netzes möglich.

FDU+6 .. FEU+16 werden gemäß
EN61000-3-2:2014 als professionell genutztes
Gerät eingestuft.

Vor dem Anschluss an das öffentliche Nieder-
spannungsversorgungsnetz muss eine Geneh-
migung des Energieversorgungsunternehmens
eingeholt werden.



Information

FEU+24 - FKU+260 erfüllen alle Anforderungen
der Norm EN61000-3-12:2011 (siehe Abbildung
14, Seite 64).

FDU+6 .. FJU+145:

- sind standardmäßig mit einem integrierten EMV-Fil-
ter für die Kategorie C2 ausgestattet.
 - Bei einigen Typen muss jedoch ein Schaltschrank
aus Metall, mit einer Dämpfung verwendet wer-
den, damit die Grenzwerte für die strahlungsge-
bundenen Störungen nicht überschritten werden
(siehe Abbildung 14, Seite 64)

Sind die EMV-Anforderungen der Kategorie C3 ausrei-
chend, kann die Leitungslänge zwischen FU und Motor
bis zu 50 m betragen. Dann muss auch kein spezieller
Schaltschrank verwendet werden.



WARNUNG

Hochfrequente EMV-Störung des Spannungs-
netzes möglich.

In einer Wohnumgebung kann diese Antriebs-
konstellation hochfrequente Störungen verursa-
chen, die Entstörmaßnahmen erforderlich ma-
chen können.

FKU+180 .. FKU+260:

- sind mit einem integrierten EMV-Filter für die Kategorie C3 ausgestattet. Zur Erfüllung der Kategorie C2 ist der externe EMV-Filter, Teilenummer 34795502, Bezeichnung 3359-250-28 am Eingang des Frequenzumrichters erforderlich.



WARNUNG

Ohne Einsatz eines externen EMV-Filters kommt es zu hochfrequenten EMV-Störungen des Spannungsnetzes!
Diese Antriebskonstellation ist nicht für den Einsatz in einem öffentlichen Niederspannungsnetz vorgesehen, das Wohngebiete speist.

	FU	FDU	FEU	FGU	FHU	FJU	FKU
	EN61800-3						
Leitungsgebundene Emissionen	Kategorie C1	Zusatzfilter (auf Anfrage)	Zusatzfilter (auf Anfrage)	Zusatzfilter (auf Anfrage)	Nicht geeignet	Nicht geeignet	Nicht geeignet
	Kategorie C2	Motorkabel ≤ 10 m	Motorkabel ≤ 10 m	Motorkabel ≤ 10 m	Motorkabel ≤ 10 m	Motorkabel ≤ 10 m	Zusatzfilter (3359-250-28)
	Kategorie C3	Motorkabel ≤ 50 m	Motorkabel ≤ 50 m	Motorkabel ≤ 50 m	Motorkabel ≤ 50 m	Motorkabel ≤ 50 m	Motorkabel < 50 m
Strahlungsgebundene Emissionen	Bei Montage im Schaltschrank aus Metall mit geeigneter Dämpfung						
	Kategorie C1	35-100 MHz bei 15 dB	35-100 MHz bei 5 dB	30-150 MHz bei 20 dB	Nicht geeignet	Nicht geeignet	Nicht geeignet
	Kategorie C2	35-100 MHz bei 5 dB	Kein spezieller Schaltschrank erforderlich	30-150 MHz bei 10 dB	30-1000 MHz bei 10 dB	30-1000 MHz bei 10 dB	30-1000 MHz bei 10 dB
	Kategorie C3	Kein spezieller Schaltschrank erforderlich	Kein spezieller Schaltschrank erforderlich	Kein spezieller Schaltschrank erforderlich	Kein spezieller Schaltschrank erforderlich	Kein spezieller Schaltschrank erforderlich	Kein spezieller Schaltschrank erforderlich

Abb. 14: Übersicht über die Anforderungen der VARIPACK Frequenzumrichter zur Erfüllung der unterschiedlichen EMV-Kategorien

5.5.1 Analyse der Oberwellen FDU+6 .. FKU+260

Frequenzumrichter	Motorleistung (kW)	Typische Motoreffizienz %	Oberwellen													Gesamt RMS Strom (A)	THD (I) %
			Nr.	1	3	5	7	9	11	13	15	17	19	21			
FDU+6	2.2	83	RMS Strom (A)	3.946	0.000	2.376	1.636	0.000	0.327	0.354	0.0	0.190	0.167	0.000	4.92	59.8	
			Oberwellen Nr.	23	25	27	29	31	33	35	37	39	40				
			RMS Strom (A)	0.130	0.107	0.000	0.097	0.079	0.000	0.076	0.063	0.000	0.000				
FDU+12	5.5	83	RMS Strom (A)	9.694	0.001	3.313	1.745	0.000	0.814	0.558	0.000	0.472	0.349	0.000	10.47	37.8	
			Oberwellen Nr.	1	3	5	7	9	11	13	15	17	19	21			
			RMS Strom (A)	0.320	0.253	0.000	0.233	0.193	0.000	0.176	0.151	0.000	0.000				
FEU+16	7.5	83	RMS Strom (A)	12.801	0.002	5.284	3.010	0.000	1.065	0.769	0.000	0.604	0.433	0.000	14.27	44.2	
			Oberwellen Nr.	1	3	5	7	9	11	13	15	17	19	21			
			RMS Strom (A)	0.406	0.306	0.000	0.295	0.234	0.000	0.224	0.185	0.000	0.000				

Abb. 15: Tabelle zur Analyse der Oberwellen FDU+6 .. FEU+16

FDU+6 .. FEU+16 werden gemäß EN61000-3-2 als professionell genutztes Gerät eingestuft.

Frequenzumrichter	FEU+24	FGU+32	FGU+38	FHU+45	FHU+60	FHU+73	FJU+87	FJU+105	FJU+145	FKU+180	FKU+205	FKU+260
Motorleistung (kW)	11	15	18.5	22	30	37	45	55	75	90	110	132
Typische Motoreffizienz %	86	86	86	90	90	90	90	90	90	92	92	92
Oberwellen Nr.	RMS Strom (A)											
1	18.703	25.833	30.954	36.282	49.540	60.995	74.18	90.65	123.60	145	180.9	217.0
3	0.002	0.006	0.005	0.003	0.001	0.005	0.00	0.00	0.00	0.0	0.0	0.0
5	6.467	9.512	10.517	12.848	18.710	20.966	26.01	31.14	42.31	51.0	59.5	70.4
7	3.425	5.147	5.527	6.908	10.274	11.144	13.92	16.54	22.41	27.1	26.4	29.7
9	0.000	0.001	0.000	0.000	0.000	0.001	0.00	0.00	0.00	0.0	0.0	0.0
11	1.571	2.177	2.618	3.072	4.174	5.167	6.28	7.68	10.47	12.2	14.8	17.5
13	1.078	1.494	1.781	2.108	2.893	3.533	4.30	5.25	7.16	8.4	8.9	10.2
15	0.000	0.001	0.000	0.000	0.000	0.000	0.00	0.00	0.00	0.0	0.0	0.0
17	0.909	1.244	1.513	1.769	2.382	2.987	3.62	4.44	6.05	7.0	8.0	9.3
19	0.669	0.896	1.110	1.288	1.712	2.188	2.64	3.25	4.44	5.1	5.5	6.4
21	0.000	0.000	0.000	0.000	0.000	0.000	0.00	0.00	0.00	0.0	0.0	0.0
23	0.616	0.838	1.024	1.196	1.604	2.020	2.45	3.01	4.10	4.8	5.1	5.8
25	0.484	0.644	0.803	0.930	1.225	1.583	1.91	2.35	3.21	3.7	3.9	4.4
27	0.000	0.000	0.000	0.001	0.000	0.000	0.00	0.00	0.00	0.0	0.0	0.0
29	0.448	0.608	0.743	0.869	1.162	1.468	1.78	2.18	2.98	3.5	3.4	3.8
31	0.370	0.493	0.613	0.712	0.940	1.211	1.46	1.80	2.46	2.8	2.8	3.1
33	0.000	0.000	0.000	0.001	0.001	0.001	0.00	0.00	0.00	0.0	0.0	0.0
35	0.338	0.459	0.560	0.657	0.882	1.110	1.34	1.65	2.25	2.6	2.4	2.5
37	0.290	0.388	0.480	0.557	0.739	0.946	1.14	1.41	1.92	2.2	2.1	2.2
39	0.000	0.000	0.000	0.001	0.001	0.001	0.00	0.00	0.00	0.0	0.0	0.0
40	0.000	0.000	0.000	0.000	0.000	0.000	0.00	0.00	0.00	0.0	0.0	0.0
Gesamt RMS Strom (A)	20.24	28.21	33.41	39.47	54.33	65.95	80.43	98.00	133.56	157.5	193.4	231.4
* THD (I) %	38.2	40.2	37.6	45.7	47.4	43.2	41.9	41.1	40.9	41.9	37.9	37.1

Abb. 16: Tabelle zur Analyse der Oberwellen FEU+24 .. FKU+260

Annahmen: $R_{sc} = 120$ bei 400 V

FEU+24 - FKU+260 erfüllen alle Anforderungen gemäß Norm EN61000-3-12:2011 (siehe Abbildung 14, Seite 64).

5.6 Sicher abgeschaltetes Moment (STO)

Die VARIPACK Frequenzumrichter sind standardmäßig mit der zertifizierten und sicherheitsgeprüften Abschaltfunktion, sicher abgeschaltetes Moment (STO) ausgestattet.

- Diese Funktionalität kann als eine Ausschaltfunktion zur Verhinderung von unerwartetem Anlauf verwendet werden, die in EN60204-1, 5.4 beschrieben ist. Diese sogenannte STO-Funktion stellt sicher, dass auf den Motor keine Antriebsenergie übertragen wird solange sie aktiviert ist. Dabei setzt sie den Verdichtermotor drehmomentfrei, jedoch nicht spannungsfrei. Die Funktionalität wurde werkseitig geprüft.
- Die STO-Funktion ist aktiv, wenn der STO-Stromkreis geöffnet ist oder weniger als 21,6 V anliegen. Sie hebt dann jeden Befehl zum Verdichteranlauf auf, auch solche Anlaufbefehle, die intern durch einen Firmwarefehler ausgelöst werden könnten. Die Hardware des STO-Steuerstromkreises besteht aus zwei redundanten Kanälen, die so ausgeführt sind,

dass bei einem internen Ausfall eines Kanals der andere einen unbeabsichtigten FU-Betrieb sicher verhindert. Die Hardware erfüllt die sogenannten hohen Anforderungen an die funktionale Sicherheit. Wegen der damit verbundenen Einstufung als Betriebsart mit hoher Anforderungsrate muss ihre Funktionalität jährlich geprüft werden.

- Durch die STO-Funktion kann auf den Hauptschütz vor oder nach dem VARIPACK verzichtet werden. Statt wie bisher über den Hauptschütz, kann der STO, geschaltet über den Hochdruckschalter bzw. andere sicherheitsrelevante Schutzfunktionen der Kälteanlage, den Verdichter direkt abschalten.



GEFAHR

Gefahr von elektrischem Schlag!
Die STO-Funktion stellt keine galvanische Trennung der Spannungsversorgung dar und darf daher nicht für Wartungs- oder Reparaturarbeiten verwendet werden!



Sie ist nur eine elektronische Schutzfunktion während des normalen Betriebs des VARIPACK Frequenzumrichters.

Vor Wartungs- oder Reparaturarbeiten den VARIPACK Frequenzumrichter mit einer geeigneten elektrischen Trennvorrichtung vollständig von der Stromversorgung trennen und die ordnungsgemäße Isolierung aller Spannungsanschlüsse überprüfen!

Hauptschalter ausschalten und gegen Wiedereinschalten sichern.

Mindestens 5 Minuten warten bis alle Kondensatoren entladen sind!



Information

Die STO-Funktion ist eine ab Werk eingebaute und getestete Funktion.

Reparaturen an VARIPACK Frequenzumrichtern mit STO-Funktion dürfen nur von autorisiertem Fachpersonal durchgeführt werden.

Jeder nicht autorisierte Versuch, den VARIPACK Frequenzumrichter zu reparieren oder zu zerlegen, führt zum Verlust der Garantie und kann die STO-Funktion beeinträchtigen.

Wenn der VARIPACK Frequenzumrichter einen internen STO-Fehler erkennt, muss dieser unverzüglich behoben werden!



HINWEIS

Definierte Schaltpunkte sind bei zu langen Leitungslängen oder falscher Verlegung nicht mehr sichergestellt.

Maximale Leitungslänge zu den Klemmen X10/01, X10/03, X10/05 und X10/06: 25 m!

- Für hohe Sicherheitsanforderungen, sind zwei unabhängige STO-Steuerkanäle in der Hardware implementiert. Der STO-Schaltkreis ist so aufgebaut, dass bei Auftreten eines Fehlers in einem Kanal der zweite Kanal sicherstellt, dass kein unbeabsichtigter Betrieb des VARIPACK Frequenzumrichters erfolgt.
- Die aktivierte STO-Funktion übersteuert alle Anlaufversuche des Verdichters. Wird die STO-Funktion also von einem oder beiden STO-Steuerungseingängen geschaltet, läuft der Verdichter nicht an. Dies gilt auch dann, wenn z. B. ein interner Softwarefehler zu einem Anlaufversuch führen sollte.

Sicherheitsspezifikation:

Entsprechend ENISO13849-1 und EN61800-5-2, weisen die VARIPACK Frequenzumrichter folgende Sicherheitskennwerte auf:

Von den Frequenzumrichtern erreichte Sicherheitslevel ①		
SIL	Sicherheits-Integritätslevel	SIL3
PL	Performance Level	PLe
Zugrunde liegende Sicherheitskennwerte ②		
PFH	Mittlere Wahrscheinlichkeit eines gefährlichen Ausfalls pro Stunde	$2,3 \times 10^{-9}$
MTTF _d	Mittlere Zeit bis zum gefahrbringenden Fehler	100 Jahre ③
DC	Diagnosedeckungsgrad	98,6% → hoch
SFF	Gesamtanteil sicherer Ausfälle	99% → mittel
T _M	Gebrauchsdauer	20 Jahre

Tab. 4: VARIPACK Sicherheitskennwerte nach EN ISO12849-1 und EN61800-5-2

①: Die genannten Sicherheitslevel und zugrunde liegenden Sicherheitskennwerte sind für den VARIPACK Frequenzumrichter gültig, wenn beide STO-Eingänge unabhängig voneinander geschaltet werden. Je nach Einbindung in die Anlage kann das Sicherheitlevel der kompletten Anlage niedriger sein und muss vom Anlagenbauer berechnet werden.

②: Die zur Bestimmung der Sicherheitslevel zugrunde liegenden Sicherheitskennwerte werden gelistet um das Sicherheitslevel der kompletten Anlage berechnen zu können.

③: Die Norm EN ISO13849 beschränkt den MTTF_d-Wert auf 100 Jahre.

STO Funktionsprüfung

Bei der Inbetriebnahme sowie einem durch den Anlagenbauer auf Basis einer Risikobeurteilung zu definierendem Intervall, müssen alle Sicherheitsorgane sowie die Funktion der gesamten Sicherheitskette auf Funktion geprüft werden. Bezogen auf die Prinzipschaltbilder (siehe Kapitel Betriebsarten, Seite 61), kann die STO-Funktion inklusive der anlagenseitigen Einbindung durch folgende Vorgehensweise geprüft werden:

- Verdichter in Betrieb nehmen.
- Hochdruckschalter (F5) auslösen.
 - Der Verdichter muss sofort abschalten und der Frequenzumrichter eine STO-Störung ausgeben.

- Hochdruckschalter bzw. Sicherheitskette wieder schließen.
 - Die STO-Störung wird entriegelt und der Verdichter läuft nach der definierten Zeitverzögerung wieder an.

5.7 Prinzipschaltbilder

VARIPACK Frequenzumrichter entsprechend Prinzipschaltbildern anschließen. Steuerschalter S1 bis S3 im Schaltschrank montieren.

Individueller Anschluss des Verdichtermotors je nach gewählter Motorvariante und -auslegung. Details zum Motoranschluss siehe Angaben auf der Innenseite des Verdichteranschlusskastens.

Die Prinzipschaltbilder beinhalten eine optionale Ölüberwachung. Ohne eine solche Überwachung entfällt das Delta-PII bzw. OLC-K1 und die Bauteile S3 und H2. Das Hilfsrelais K11 und die Druckschalter F5 und F6 sollten in diesem Fall in Pfad 15 am Anschluss 14 des SE-B1 eingebaut werden.

Im Gegensatz zu den Sicherheitslevels die die VARIPACK Frequenzumrichter erreichen (PLe, SIL3), entspricht die in den Prinzipschaltbildern dargestellte anlagenseitige Einbindung einem max. Sicherheitslevel von (PLd, SIL2). Die tatsächlichen, für die komplette Anlage gültigen Sicherheitslevel, können ausschließlich vom Anlagenbauer berechnet werden! Üblicherweise ist die in den Prinzipschaltbildern dargestellte und das dadurch erreichbare Sicherheitslevel ausreichend für Kälteanlagen. Zum Vergleich: eine einfache Schützschaltung wie sie üblicherweise verwendet wird, ohne die Verwendung von zwei Schützen in Reihe mit gegenseitiger Überwachung, entspricht einem max. erreichbaren Sicherheitslevel von PLc/SIL2. Das erforderliche Sicherheitslevel muss der Anlagenbauer auf Basis einer Risikobeurteilung definieren. Für weitere Informationen siehe Kapitel Sicher abgeschaltetes Moment (STO), Seite 65.

5.7.1 Prinzipschaltbilder Halbhermetische Hubkolbenverdichter

Abk.	Bauteil
B1	Steuereinheit (Kältebedarf) oder Befehl für Verdichteranlauf (Freigabesignal vom Anlagenregler) oder Regler Ein/Aus
F1	Hauptsicherung
F2	Verdichtersicherung
F3	Steuersicherung
F12	Sicherung der Ölheizung
F17	Steuertransformatorsicherung
H1	Signallampe "Übertemperatur" (Motor und Druckgas)
H2	Signallampe "Störung der Ölversorgung"
H6	Signallampe "betriebsbereit"
K10	Hilfsrelais "Verdichter läuft"
K11	Hilfsrelais "Verdichtergegäbe"
M1	Verdichter
M2	Ventilator
N1	VARIPACK Frequenzumrichter (FU)
Q1	Hauptschalter
R1..6	PTC-Fühler in Motorwicklung
R7	Druckgastemperaturfühler (Option)
R8	Ölheizung (Option)
S1	Steuerschalter (ein/aus)
S2	Entriegelung "Übertemperatur" (Motor / Druckgas)
S3	Entriegelung "Störung der Ölversorgung"
T1	Steuertransformator (Beispiel für 230 V)
Y2	Magnetventil "Flüssigkeitsleitung"

Tab. 5: Legende Prinzipschaltbilder VARIPACK mit Halbhermetischen Hubkolbenverdichtern

SE-B1: Schutzgerät.

Delta-PII oder OLC-K1: Ölüberwachung (Option).

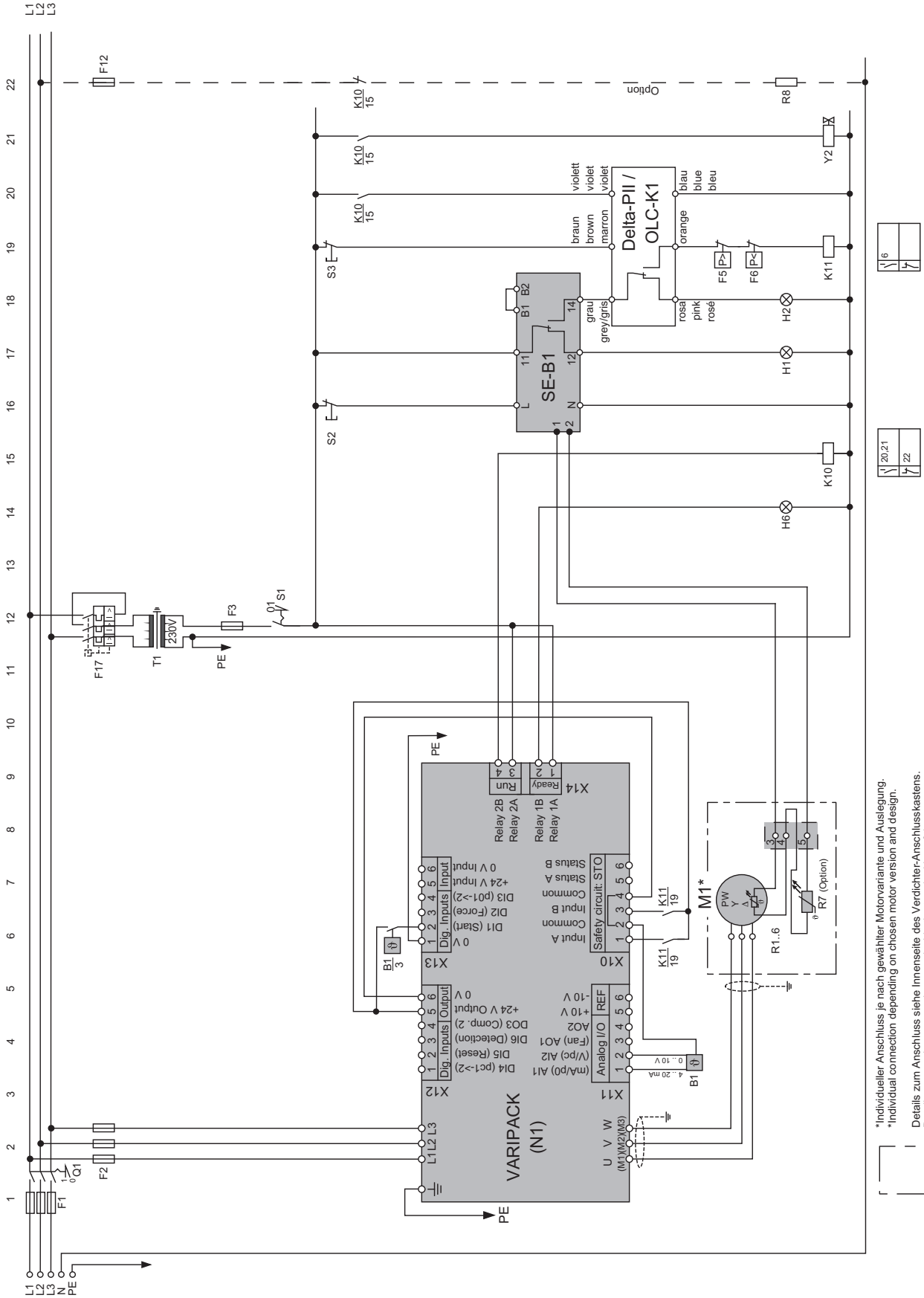


Abb. 17: Prinzipschaltbild Hubkolbenverdichter ohne Erweiterungsmodul

*individueller Anschluss je nach gewählter Motorvariante und Auslegung.
 *Individual connection, depending on chosen motor version and design.
 Details zum Anschluss siehe Innenseite des Verdichter-Anschlusskastens.
 Details concerning connections see inside the terminal box of the compressor.

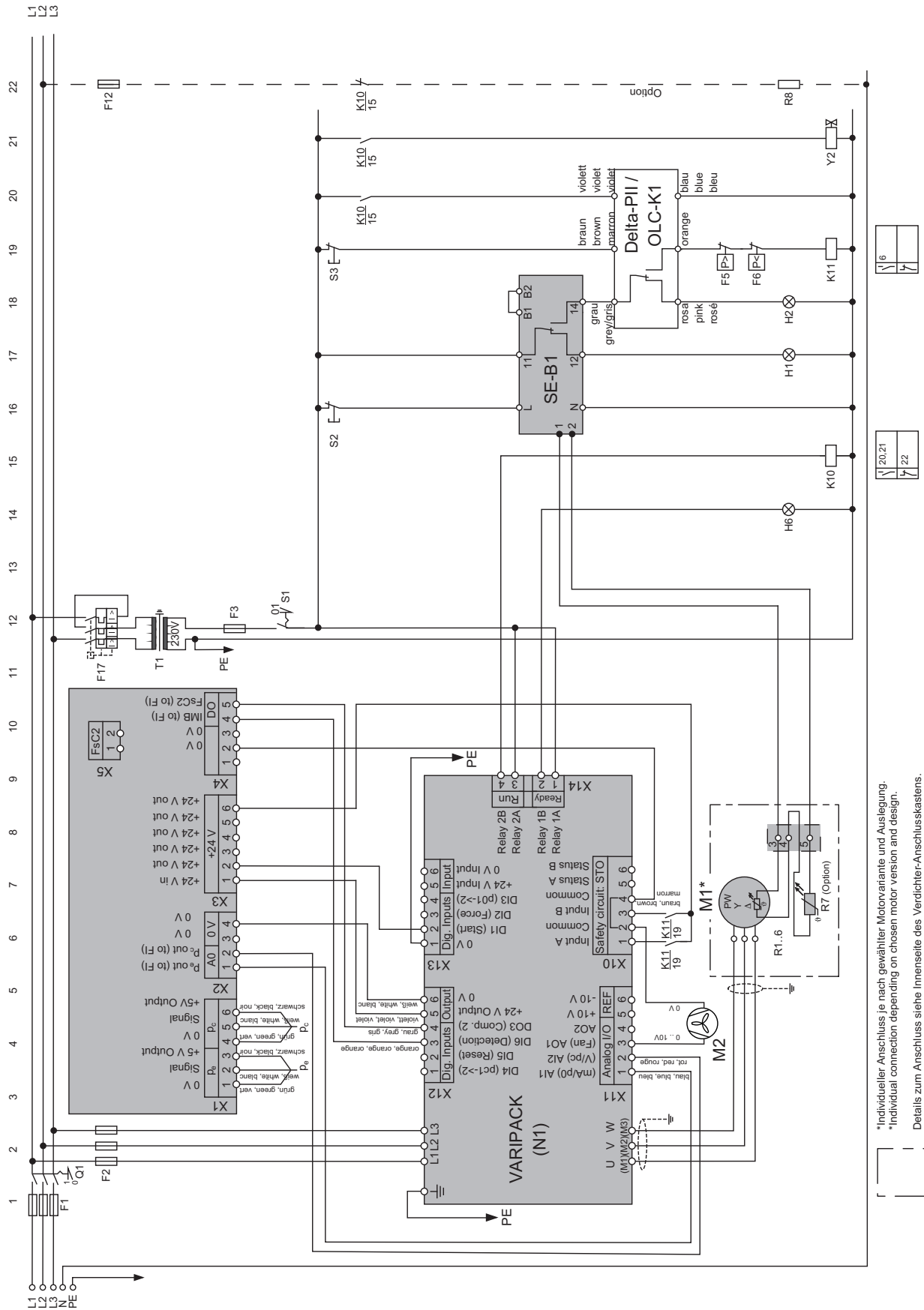


Abb. 18: Prinzipschaltbild Hubkolbenverdichter mit Erweiterungsmodul

*Individualer Anschluss je nach gewählter Motorvariante und Auslegung.
 *Individual connection depending on chosen motor version and design.
 Details zum Anschluss siehe Innenseite des Verdichters-Anschlusskastens.
 Details concerning connections see inside the terminal box of the compressor.

5.7.2 Prinzipschaltbilder Halbhermetische Schraubenverdichter

Abk.	Bauteil
B1	Ölthermostat
B2	Übergeordneter Regler
B6	Hochdruckmessumformer
B7	Niederdruckmessumformer
F1	Hauptsicherung
F2	Verdichtersicherung
F3	Steuerkreissicherung
F4	Sicherung der Ölheizung
F5	Hochdruckschalter
F6	Niederdruckschalter
F7	Öldurchflusswächter
F9	Überwachung des Ölstopppventils
F10	Ölfilterüberwachung
F12	Steuereinheit ECO; Druckschalter (ECO) (ATEX)
F17	Steuertransformatorsicherung
F21	Sicherung des Heizelements im Anschlusskasten
H1	Leuchte "Motorstörung" (Übertemperatur/Phasenausfall)
H4	Leuchte "Ölniveaustörung"
H5	Leuchte "Störung Ölstopppventil"
H11	Leuchte "betriebsbereit"
K4	Hilfsschütz
K10	Hilfsrelais "Verdichteranlauf"
K11	Hilfsrelais "Verdichterfreigabe"
K4T	Zeitrelais "Ölniveauüberwachung 120 s"
M1	Verdichtermotor
N1	Frequenzumrichter (FU)
Q1	Hauptschalter
R1	Ölheizung
R2	Druckgastemperaturfühler
R9	Heizelement für Anschlusskasten
R10	Optionaler Temperaturfühler
S1	Steuerschalter (ein/aus)
S2	Entriegelung "Motor- & Druckgastemp., Motordrehrichtung, Öldurchfluss" und bei HS.85: Entriegelung "Motor- & Druckgastemp., Motordrehrichtung, Ölversorgung "
S4	Entriegelung "Ölfilterkammer" (HS.85)
T1	Steuertransformator (Beispiel für 230 V, erforderlich gemäß EN60204-1)

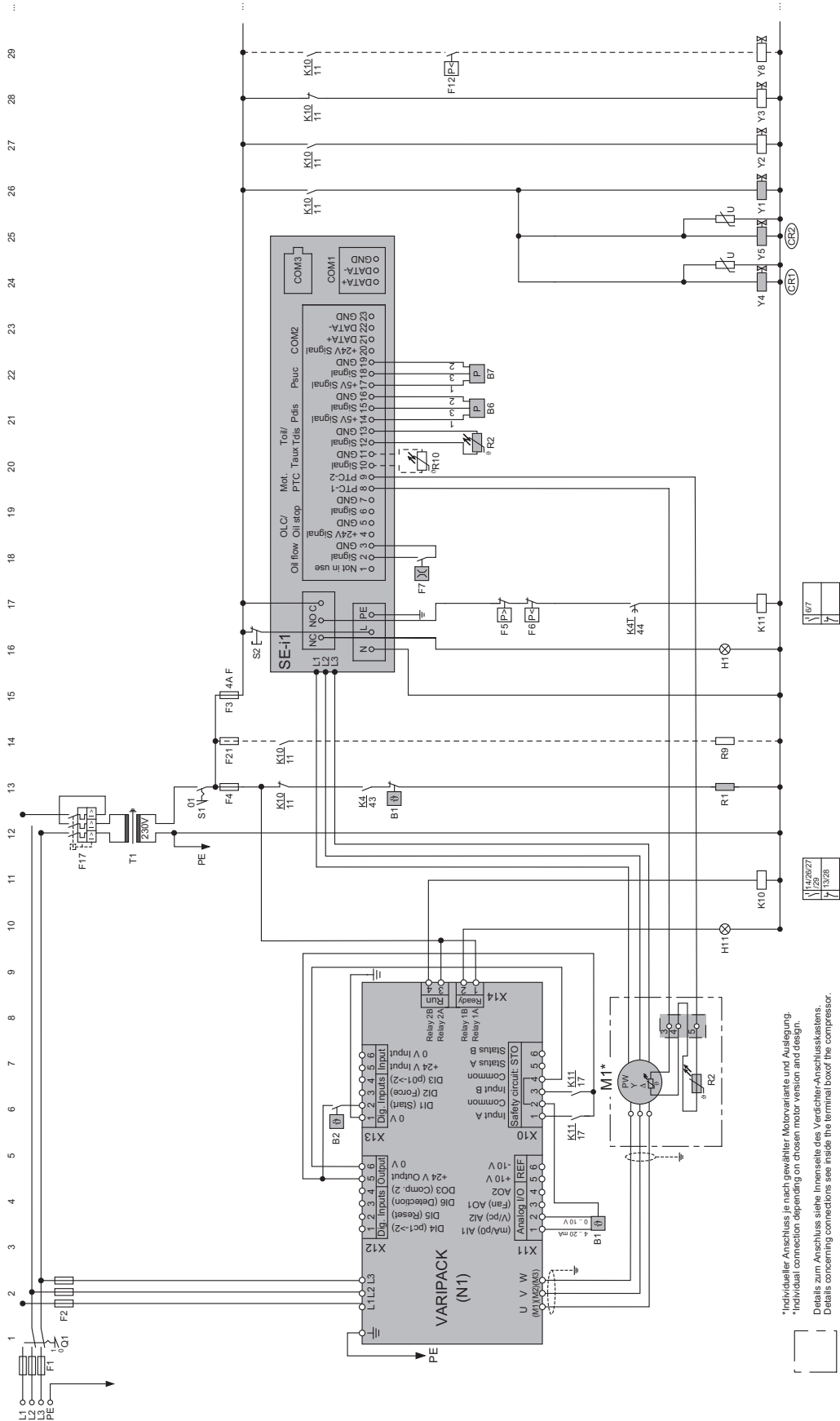
Abk.	Bauteil
Y1	Magnetventil "Öleinspritzung"
Y2	Magnetventil "Flüssigkeitsleitung"
Y3	Magnetventil "Stillstands-Bypass"
Y4	Magnetventil "Leistungsregler CR1"
Y5	Magnetventil "Leistungsregler CR2"
Y6	Magnetventil "Leistungsregler CR3"
Y7	Magnetventil "Leistungsregler CR4"
Y8	Magnetventil "ECO" (bei Bedarf)

Tab. 6: Legende Prinzipschaltbilder HS.-Verdichter mit VARIPACK

SE-B*: Motoschutzgerät (optional)

OLC-D1: Ölüberwachung

SE-i1: Schutz- und Überwachungsgerät



*individueller Anschluss; je nach gewählter Motorvariante und Auslegung.
 *individual connection depending on chosen motor version and design.
 Details zum Anschluss siehe Innenseite des Verdichter-Anschlusskastens.
 Details concerning connections see inside the terminal box of the compressor.

Abb. 19: Prinzipschaltbild HS.53 .. HS.74-Verdichter, Teil 1

44
43
42
41
..

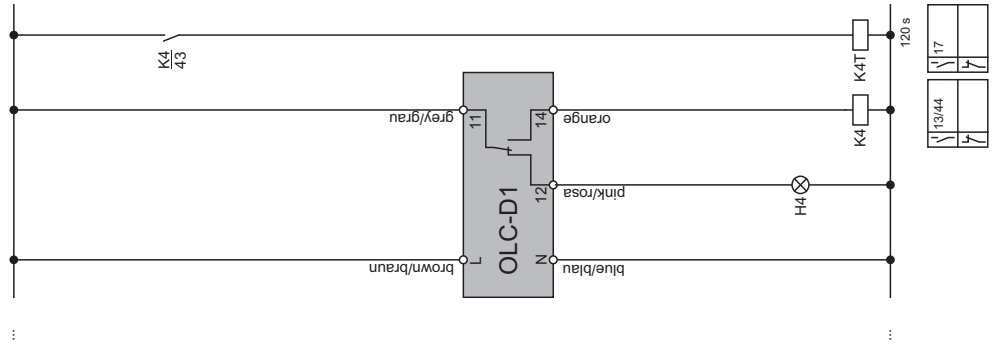


Abb. 20: Prinzipschaltbild HS.53 .. HS.74-Verdichter, Teil 2

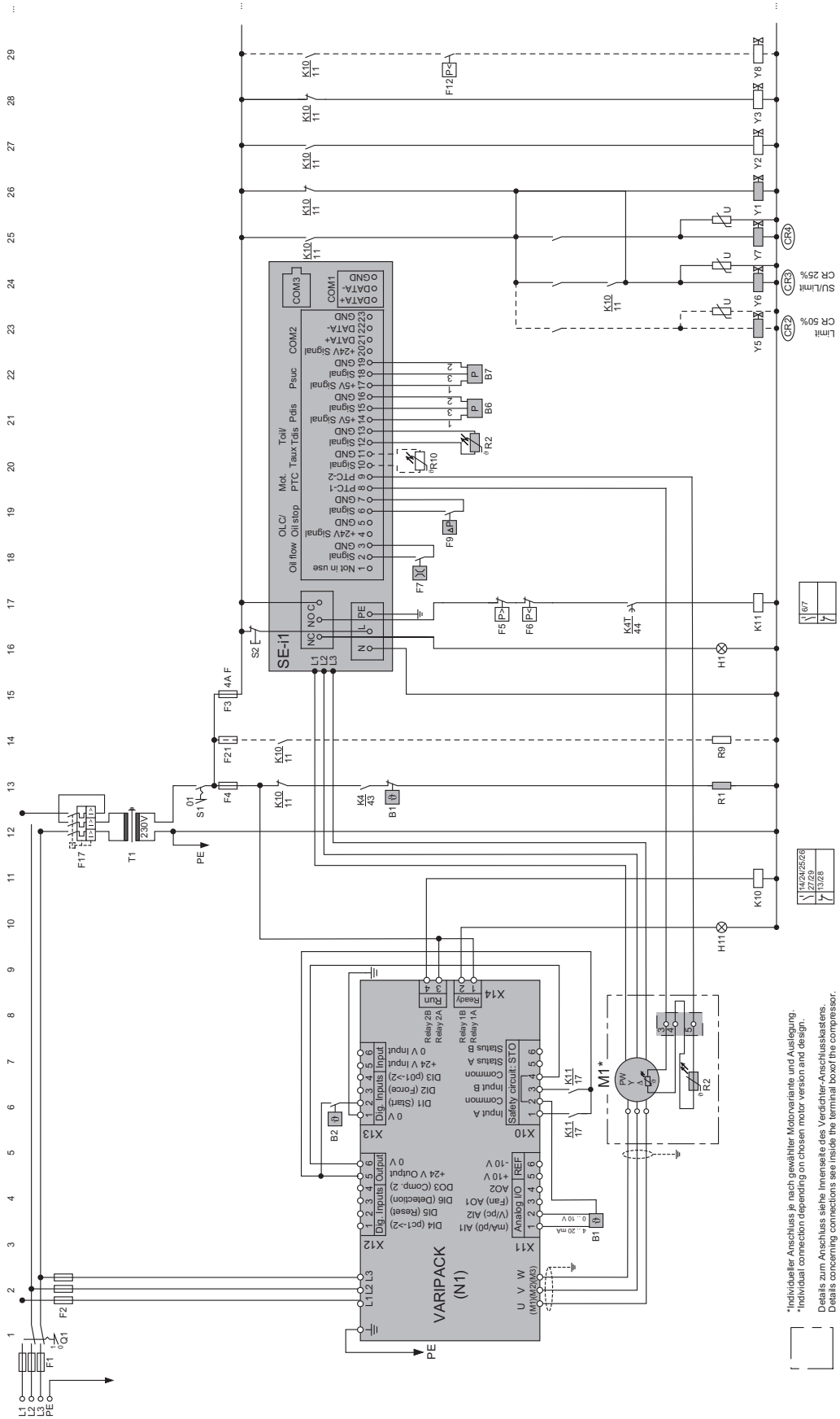


Abb. 21: Prinzipschaltbild HS.85-Verdichter, Teil 1

44
43
42
41
...
33
32
31
30
...

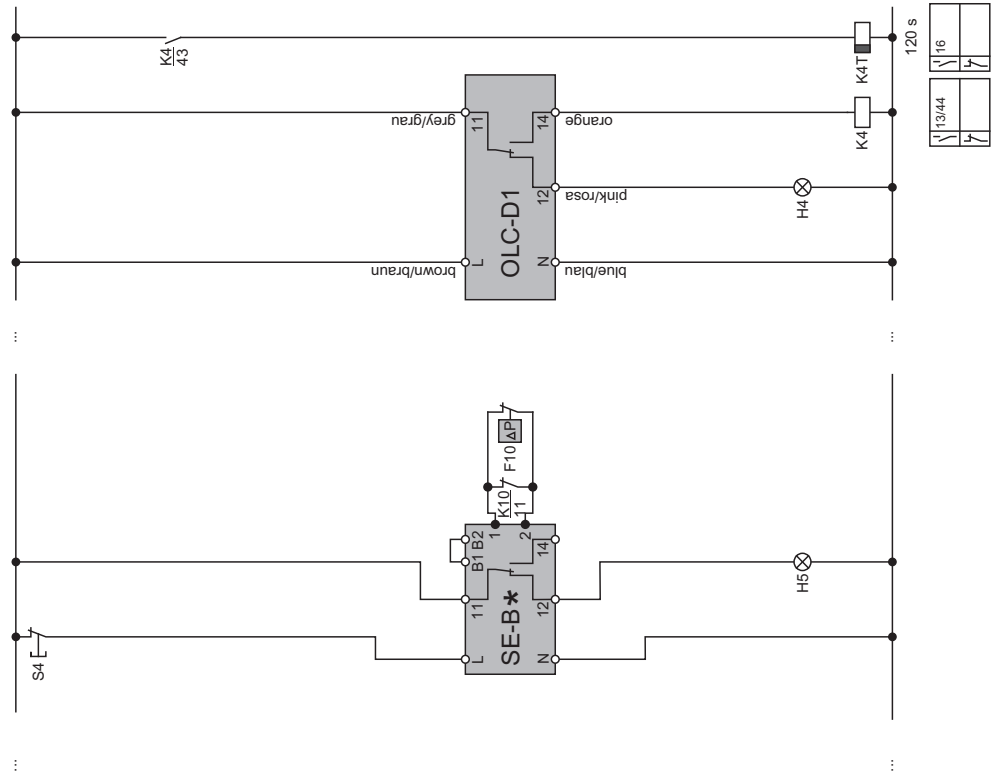


Abb. 22: Prinzipschaltbild HS.85-Verdichter, Teil 2

6 Steuer- und Regelfunktionen

Grafische Erklärungen der im Folgenden beschriebenen Steuer- und Regelfunktionen siehe Abbildung 23, Seite 76.

Verdichteranlauf und STO

Damit der Verdichter anlaufen kann, muss er freigegeben sein (STO-Eingang geschlossen), der Anlauf-Befehl erteilt (DI1 geschlossen) sowie die "Start zu Start Verzögerung" und die "Stopp zu Start Verzögerung" (10 s) des Verdichters abgelaufen sein.

Bei Regelung mittels externem Sollwert-Signal und Steuercharakteristik "0 .. Max" muss zudem ein Sollwert > 1% anliegen.

Bei entfernen des Anlaufbefehls (DI1), fährt der Verdichter über die Rampen herunter.

Bei entfernen der Freigabe (STO) wird er dagegen direkt abgeschaltet.

"Rampen"

Zur Optimierung des Betriebsverhaltens sind die Rampen des Verdichters einstellbar. Bei trägen System wie Kaltwassersätzen oder Kälteanlagen mit einem Verdampfer, empfiehlt es sich, entsprechend langsame

Rampenzeiten zu wählen, während bei Verbundanlagen durchaus schnelle Rampen erforderlich sein können. Abgesehen von der Begrenzung des externen Sollwerts, definieren diese Rampen die Frequenzänderung für die Funktion "Force".

Als Standard sind die für den jeweiligen Verdichter kürzesten Rampen eingestellt. Zum Anlaufen und Stoppen des Verdichters, also unterhalb der minimalen Frequenz, sind die optimalen Rampen fest im VARIPACK Frequenzumrichter hinterlegt und garantieren einen sicheren und zuverlässigen Anlauf des Verdichters.

"Start zu Start Verzögerung" (Abstand zwischen zwei Verdichteranläufen)

Der Verdichteranlauf durch einen VARIPACK Frequenzumrichter führt zu einer geringeren mechanischen Belastung des Verdichtertriebwerks sowie einer geringeren Erwärmung des Motors als dies bei einem Direktanlauf der Fall ist. Es können so mehr Verdichteranläufe pro Stunde zugelassen werden. Eine übermäßig hohe Anzahl an Verdichteranläufen sollte dennoch vermieden werden.

Die "Start zu Start Verzögerung" limitiert die maximale Anzahl an Verdichteranläufen. Ist die definierte Zeit seit dem letzten Anlauf des Verdichters noch nicht abgelaufen, wird der Anlauf des Verdichters verzögert. Läuft

der Verdichter länger als die "Start zu Start Verzögerung", kann er nach dem Stopp direkt wieder anlaufen. Als Standard ist die für den Verdichter minimal empfohlene "Start zu Start Verzögerung" eingestellt. Diese kann beliebig vergrößert werden um das Betriebsverhalten der Anlage zu verbessern und die Systemeffizienz durch Vermeidung von sehr kurzen Laufzyklen zu erhöhen. Falls erforderlich, können auch kürzere Werte als voreingestellt und empfohlen konfiguriert werden.

Relais „Verdichter in Betrieb“ (DO2)

Das Relais "Verdichter in Betrieb" zeigt den Betriebszustand des Verdichters an. Es kann beispielsweise zum Abschalten der Ölheizung oder zum Einschalten des Zusatzventilators verwendet werden oder auch als Signal für das elektronische Expansionsventil. Das Relais schaltet nach einem erfolgreichen Verdichteranlauf und nach Erreichen der minimalen Frequenz, ein und bei Unterschreiten der minimalen Frequenz, aus.

"Haltezeit nach dem Anlauf bei minimaler Frequenz (Hold)"

Bei Anlagen mit einem Verdichter und einer temperaturgeführten Regelung kann es nach dem Verdichteranlauf zu starken Einbrüchen im Niederdruck kommen. Grund dafür ist, dass der Verdichter wegen der hohen Sollwertabweichung schnell hochgefahren wird, das Expansionsventil dies jedoch nicht schnell genug ausregeln kann. Um dies zu vermeiden lässt sich ein Zeitintervall einstellen, das den Verdichter nach dem Anlaufen auf der minimalen Frequenz hält bevor er in den normalen Regelbetrieb übergeht. Standardmäßig sind 0 s eingestellt.

Betrieb bei 50 Hz (Force)

Bei langen Rohrleitungen und Steigleitungen oder einer nicht optimalen Auslegung der Sauggasleitung kann es

während langer Teillastphasen zu einer Ölverlagerung kommen. Wird jedoch die Frequenz und damit auch der Massenstrom erhöht, kann das Öl rückverlagert und auf diese Weise ein Abschalten des Verdichters verhindert werden. Dies kann durch die Funktion "Force" des VARIPACK Frequenzumrichters realisiert werden. Wird ein Ölmenge im Ölreservoir oder Verdichter gemeldet, kann der Digitaleingang DI2 des VARIPACK Frequenzumrichters aktiviert werden um den Verdichter mit mindestens 50 Hz zu betreiben.

"Resonanzen vermeiden"

Treten bei bestimmten Betriebsfrequenzen Schwingungen im System auf, die sich nicht ohne viel Aufwand beseitigen lassen, können diese Frequenzen ausgeblendet werden. Dazu lassen sich zwei Frequenzbereiche definieren in denen der Verdichter nicht verharren kann. Überschreitet der Sollwert den definierten Anfangswert, verharrt die Frequenz auf diesem bis der Sollwert den Endwert überschritten hat und der Frequenzbereich übersprungen wird. Beim Runterfahren wird die Frequenz entsprechend gehalten bis der Sollwert den Anfangswert unterschritten hat.

Die maximale Frequenz automatisch limitieren

Bei Betrieb in der Feldschwächung limitiert der VARIPACK Frequenzumrichter selbstständig die Betriebsfrequenz bei Erreichen des maximalen Betriebsstroms des Verdichters oder des VARIPACK Frequenzumrichters. Dies ermöglicht eine kostengünstige Auslegung der Verdichter-VARIPACK-Kombination ohne Gefahr zu laufen, dass der VARIPACK Frequenzumrichter bei nicht alltäglichen Betriebsbedingungen (hohe Verflüssigungstemperatur, Inbetriebnahme oder Anlauf nach langem Stillstand) wegen Überstrom auf Störung schaltet.

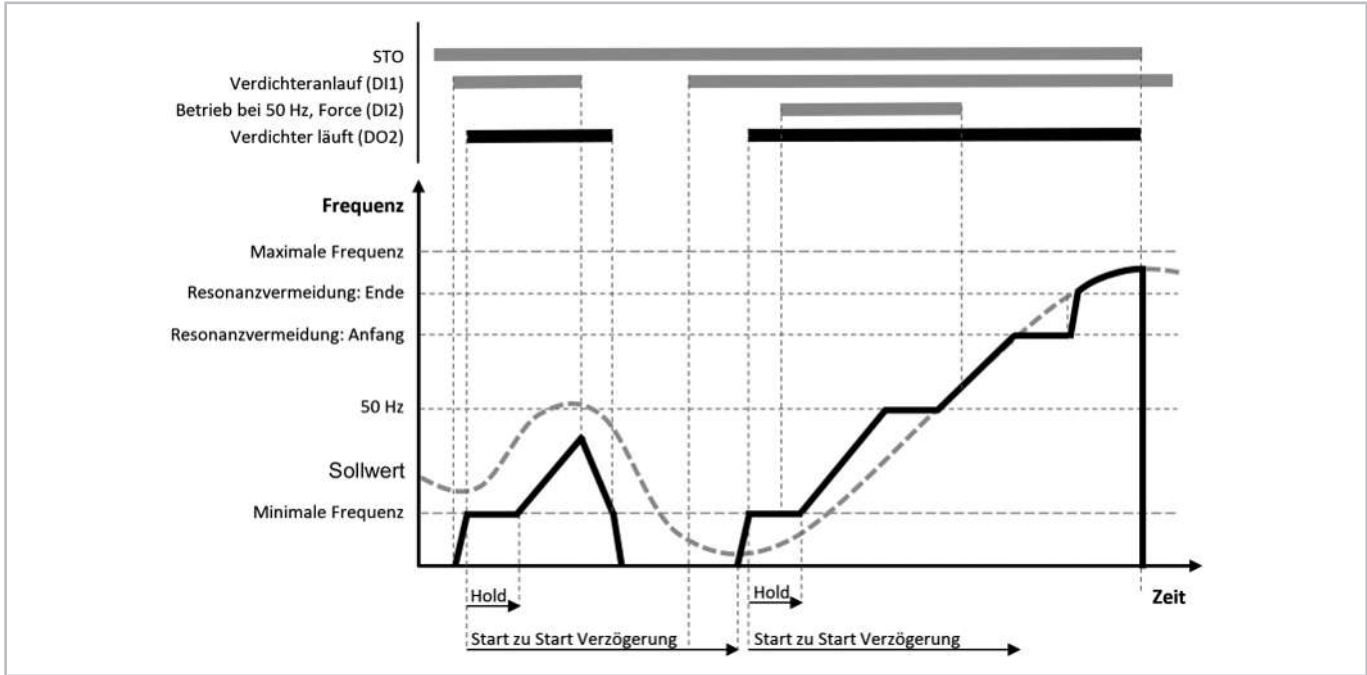


Abb. 23: Grafische Darstellung der allgemeinen Steuerfunktionen

6.1 Erweiterungsmodul zur Druckregelung

Grafische Erklärungen der im Folgenden beschriebenen Steuer- und Regelfunktionen des Erweiterungsmoduls zur Druckregelung siehe Abbildung 24, Seite 77.

Basisfunktion und Mindesteinstellungen

Ist das Erweiterungsmodul zur Druckregelung mit dem VARIPACK Frequenzumrichter verbunden, erkennt der VARIPACK Frequenzumrichter dies sofort und schaltet die für das Erweiterungsmodul relevanten Parameter frei.

Neben den Grundeinstellungen müssen für die direkte Regelung zusätzlich mindestens folgende Parameter eingestellt werden:

- Kältemittel
- Verdampfungstemperatur
- Verdampfungstemperaturbegrenzer (Pump Down)
- Verflüssigungstemperatur

Die Steuerung des Verdichters basiert auf der sogenannten Pump down Logik. Der Digitaleingang zum Anlauf des Verdichters (DI1) muss dazu dauerhaft geschlossen werden oder kann als Freigabe für einen Steuerschalter eingesetzt werden. Der Verdichter wird eingeschaltet wenn die Verdampfungstemperatur den Sollwert überschreitet und gestoppt wenn die Verdampfungstemperatur den eingestellten Wert des Verdampfungstemperaturbegrenzers (Pump Down) unterschreitet.

Im Betrieb regelt der VARIPACK Frequenzumrichter die eingestellte Verdampfungstemperatur durch Regelung der Verdichterfrequenz und An/Aus-Schaltung des Festfrequenz-Verdichters (Relay FsC2, X5: 1 und 2). Je nach Bedarf kann die Geschwindigkeit der Regelung über die Einstellung des P-Bands angepasst werden.

Mithilfe des Analogausgangs AO1 kann über das 0 .. 10 V Signal die eingestellte Verflüssigungstemperatur geregelt werden. Um einen möglichst effizienten Betrieb zu gewährleisten, wird empfohlen, die Soll-Verflüssigungstemperatur gemäß der minimal zulässigen Verflüssigungstemperatur der Verdichter einzustellen, sofern dies die Anlage zulässt. Überschreitet die Verflüssigungstemperatur den Sollwert wird die Drehzahl der Ventilatoren entsprechend erhöht. Durch Einstellen des P-Bands auf die Trägheit des Systems kann die Qualität der Regelung optimiert werden. Zudem lässt sich, falls erforderlich, eine minimale Ventilatordrehzahl einstellen.

"Verdampfungstemperatur-Sollwert 2"

Durch Schalten des Eingangs DI3 wird der Verdampfungstemperatur-Sollwert 2 aktiviert.

"Verflüssigungstemperatur-Sollwert 2"

Durch Schalten des Eingangs DI4 wird der Verflüssigungstemperatur-Sollwert 2 aktiviert. Dieser kann beispielsweise als Sollwert für die Wärmerückgewinnung verwendet werden.

"Verflüssigungstemperatur-Begrenzer"

Der Verflüssigungstemperatur-Begrenzer reduziert die Frequenz des Verdichters bei Überschreiten der eingestellten Verflüssigungstemperatur. In vielen Fällen lässt sich damit eine Hochdruckabschaltung vermeiden, da durch Absenken der Frequenz die Last am Verflüssiger reduziert wird.

"Elektronischer Niederdruckschalter"

Die Niederdruckschalter-Funktion schaltet den Verdichter bei Unterschreiten des eingestellten Druckwerts ab. Gegenüber dem Verdampfungstemperatur-Begrenzer (Pump-Down), wird der Verdichter bei Erreichen dieses Grenzwerts sofort abgeschaltet und nicht über die Rampe herunter gefahren. Zudem wird eine Störung im Störspeicher des VARIPACK Frequenzumrichters ge-

speichert. Der Wiederanlauf des Verdichters erfolgt bei Überschreiten des Verdampfungstemperatur-Sollwerts.

"Elektronischer Hochdruckschalter"

Die Hochdruckschalter-Funktion schaltet den Verdichter bei Überschreiten des eingestellten Druckwerts ab. Die Standardeinstellung sowie der maximal einstellbare Wert entspricht dem maximalen Betriebsdruck des Verdichters. Das Entriegeln des Hochdruckschalter erfolgt bei unterschreiten der eingestellten Temperatur des Verflüssigungstemperatur-Begrenzers.

i Information
Die elektronische Hochdruckschalter-Funktion ersetzt nicht den nach EN378 vorgeschriebenen baumustergeprüften Hochdruckschalter!

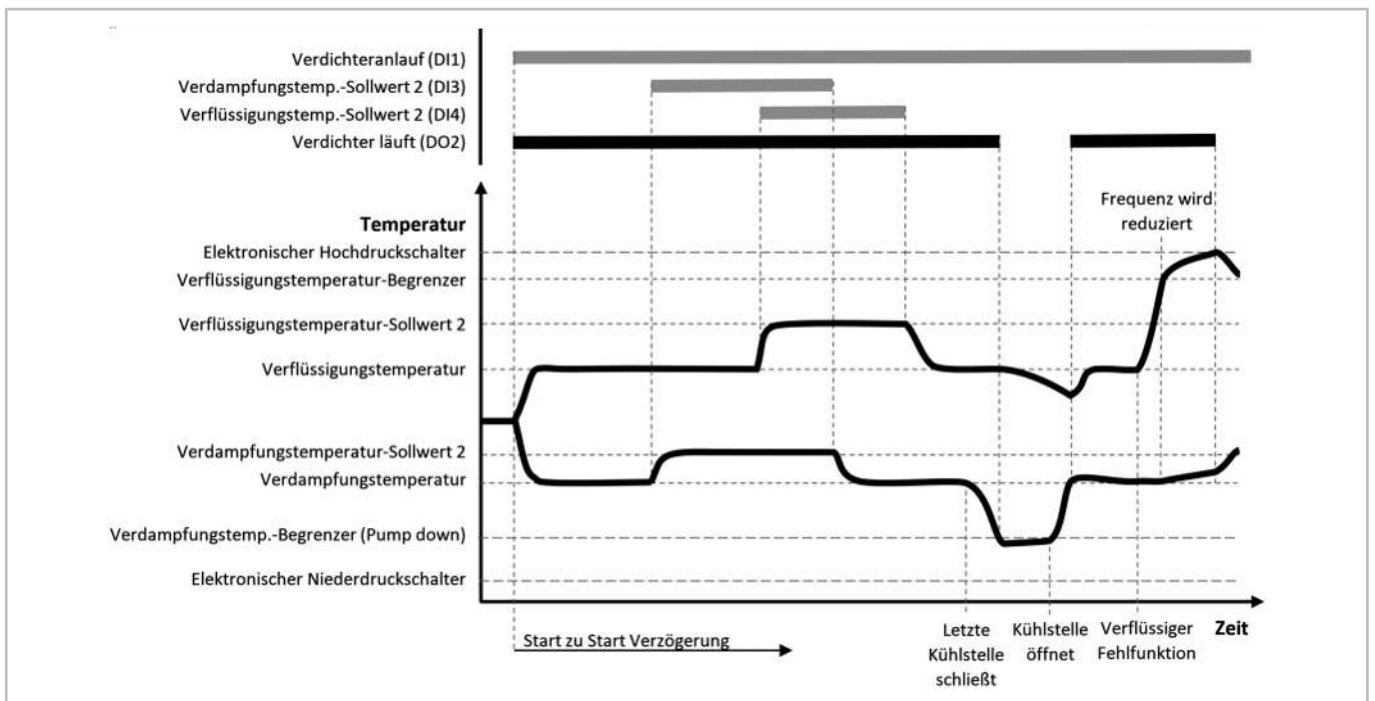


Abb. 24: Grafische Darstellung der allgemeinen Steuerfunktionen des Erweiterungsmoduls

7 Datenkommunikation mit dem VARIPACK Frequenzumrichter

7.1 Kommunikation über die BEST SOFTWARE

i Information

Voraussetzung für die Installation und Verwendung der BEST SOFTWARE ist ein PC oder mobiles Endgerät mit Windows 7 oder neuer. Ohne Geräte mit Windows-Betriebssystem ist die Kommunikation mit dem VARIPACK Frequenzumrichter (FU) nur über das optionale Bedienteil möglich (siehe Kapitel Abnehmbares Bedienteil (mit Display und Tastenfeld), Seite 79).

Die BEST SOFTWARE bietet einen umfassenden Zugang zu allen Betriebsdaten und Steuerparametern und kann kostenlos von der BITZER Internetseite (www.bitzer.de) heruntergeladen werden.

Die Datenverbindung und Kommunikation mit der BEST SOFTWARE erfolgt über:

- BEST Schnittstellenkonverter.
- Direkte Ethernet-Verbindung.
- Ethernet-Verbindung über Router/GSM.

BEST Schnittstellenkonverter (mit RJ12 Kabel)

- Teilenummer 344 314 01.
- Voraussetzungen: PC/Mobiles Endgerät mit USB-Schnittstelle.
- Einschränkungen: kein Firmware-Update möglich.

BEST Schnittstellenkonverter anschließen:

- BEST Schnittstellenkonverter mit dem RJ12 Kabel in die rechte Buchse (XC3) an der Unterseite der Schnittstellenerweiterung am VARIPACK FU einstecken (siehe Abbildung 25, Seite 78).

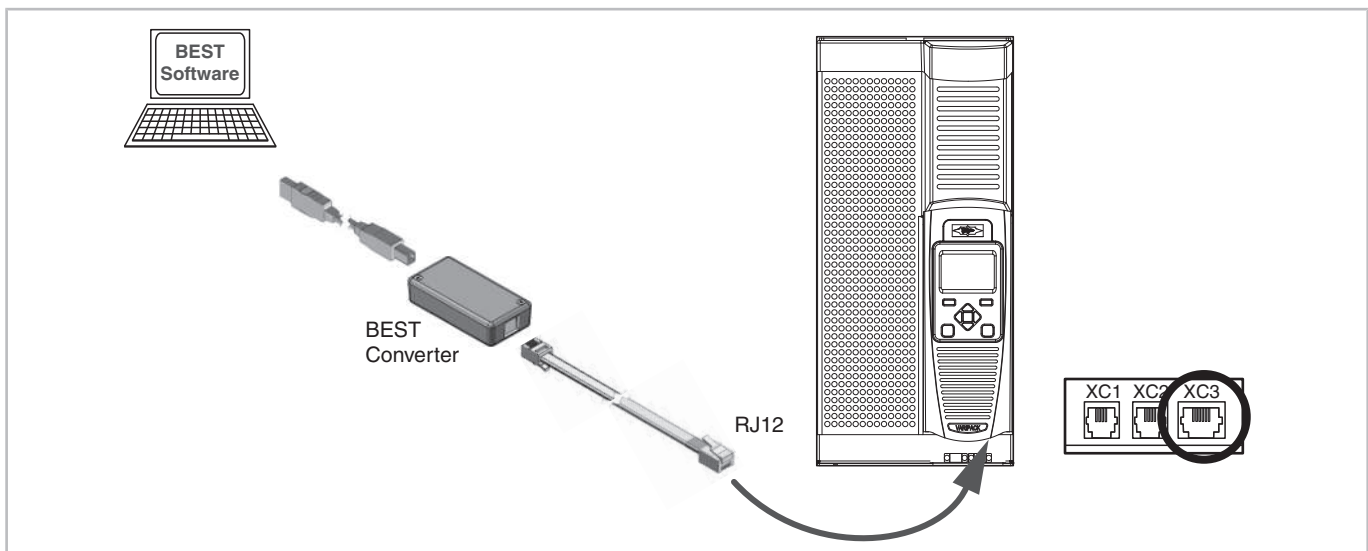


Abb. 25: VARIPACK via BEST Schnittstellenkonverter und RJ12-Kabel mit einem PC/mobilem Endgerät verbinden

Direkte Ethernet-Verbindung (mit RJ45 Netzwerkkabel)

- Voraussetzungen: PC/mobiles Endgerät mit Ethernet-Buchse (RJ45).
- Ein Standard-Netzwerkkabel ist ausreichend, es ist kein gekreuztes Kabel erforderlich.

Ethernet-Verbindung über Router/GSM

- Voraussetzungen: PC oder Mobiles Endgerät mit Netzwerkzugriff.

- Lokaler oder weltweiter Zugriff, bei Internetanbindung über einen Router/GSM.

Ethernet-Netzwerkkabel anschließen (siehe Abbildung 26, Seite 79):

- Netzwerkkabel oben am VARIPACK Steuermodul einstecken.
- Zum Trennen des Kabels das Bedienteil abmontieren (siehe Abbildung 7, Seite 53, Position 1).
- Anschließend einen Schraubenzieher von vorne einstecken und leicht nach unten drücken, um die Verriegelung am Clip des Netzwerkkabels zu lösen.

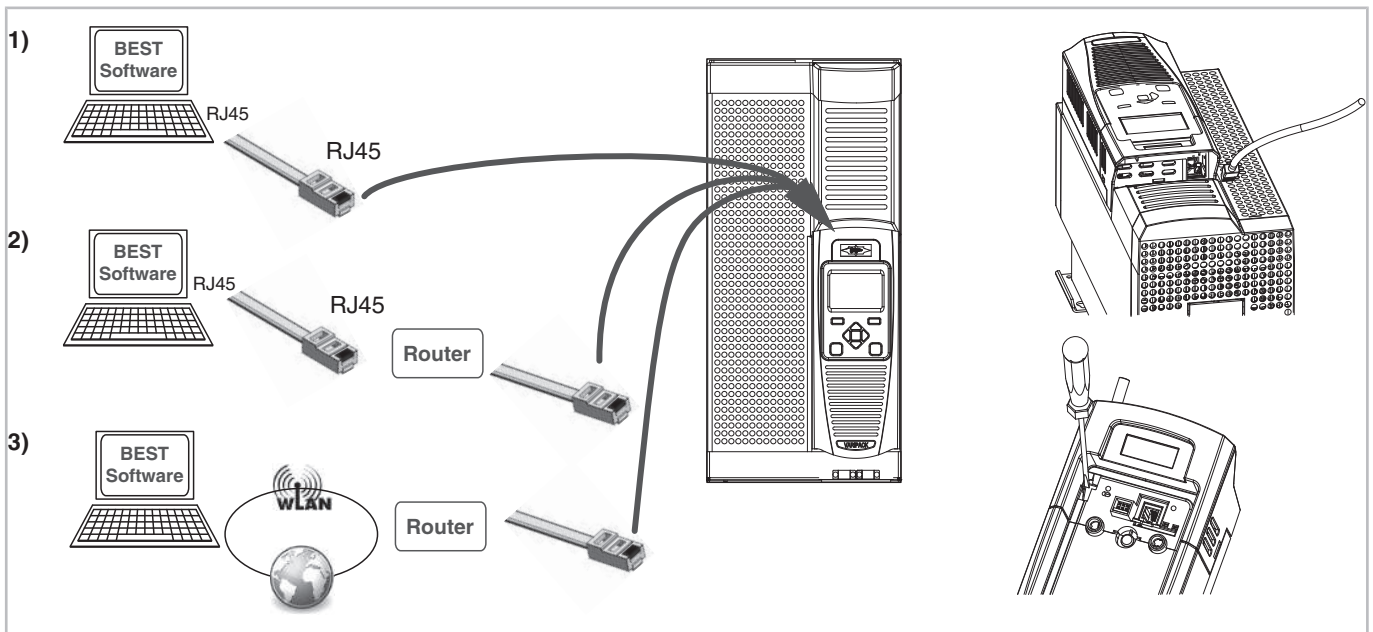


Abb. 26: Netzwerkkabel in den RJ45 Anschluss am VARIPACK einstecken und trennen

Kommunikation mit BEST SOFTWARE aufbauen:

siehe Kapitel VARIPACK Frequenzumrichter in Betrieb nehmen, Seite 80.

7.2 Abnehmbares Bedienteil (mit Display und Tastenfeld)

Der VARIPACK Frequenzumrichter kann vollständig durch das optionale und abnehmbare Bedienteil (mit Display und Tastenfeld) konfiguriert und überwacht werden. Dazu die mit dem Bedienteil mitgelieferte SD-Karte in den Steckplatz für die SD-Karte einstecken. Anschließend das Bedienteil entweder direkt in die Frontseite (anstelle der Blende) einstecken (siehe Abbildung 7, Seite 53) oder mit dem Bausatz zur externen Montage außen an den Schaltschrank oder an die Schaltschranktür montieren.



Information

Die Erstkonfiguration des VARIPACK Frequenzumrichters für Schrauben- und Scrollverdichter über das Bedienteil ist in Kürze verfügbar!

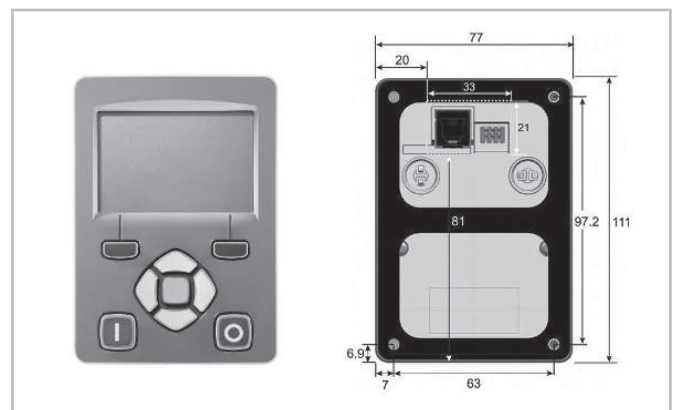


Abb. 27: Front- und Rückansicht des Bedienteils mit Befestigungslochern und Aussparung auf der Rückseite (für externe Montage)

7.2.1 Bausatz zur externen Montage des Bedienteils

Der Bausatz zur externen Montage des optionalen Bedienteils (Teilenummer 347 971 01) besteht aus:

- Verbindungskabel (3 m Länge).
- 4 Montageschrauben.

Montage (siehe Abbildung 27, Seite 79):

- Das Bedienteil an eine flache Oberfläche z. B. außen an die Schaltschranktür montieren.
- Aussparung an der Schaltschranktür für die Anschlüsse auf der Rückseite des Bedienteils berücksichtigen (siehe Abbildung 27, Seite 79)!

7.2.2 Aufbau und Bedienung des Bedienteils

Siehe dazu, dem Bedienteil beiliegendes BITZER Beiblatt 378 204 05.

7.3 Schnittstelle zur Kommunikation über Modbus RTU und Modbus TCP/IP

Zur Kommunikation mit übergeordneten Anlagenreglern oder der Gebäudeleittechnik stehen außerdem folgende Schnittstellen zur Verfügung:

- Modbus RTU via RS485.
- Modbus TCP/IP via Netzwerkkabel an RJ45.

Erläuterung und Einrichtung dieser Schnittstellen inklusive der Register bzw. Adressendefinition, siehe BEST SOFTWARE 2.9 oder neuer.

8 VARIPACK Frequenzumrichter in Betrieb nehmen

Zunächst:

Kommunikation mit BEST SOFTWARE aufbauen, siehe Abbildung 28, Seite 80:

- BEST SOFTWARE starten (1).
- Schaltfläche NEU anklicken (2).
- VARIPACK Frequenzumrichter auswählen (3).
- Schaltfläche VERBINDEN anklicken (4).
- Es erscheinen zur Auswahl: BEST KONVERTER oder ETHERNET.
 - Auswahl BEST KONVERTER:
Schaltfläche VERBINDEN anklicken. Der VARIPACK Frequenzumrichter ist jetzt mit dem mobilen Endgerät verbunden.
 - Auswahl ETHERNET:
Alle verfügbaren Geräte erscheinen aufgelistet.
Gerät auswählen.
Schaltfläche VERBINDEN anklicken.
Ethernet Passwort eingeben (Standard "8670")
Der VARIPACK Frequenzumrichter ist jetzt mit dem PC / mobilen Endgerät verbunden.



Abb. 28: VARIPACK Frequenzumrichter mit der BEST Software verbinden

VARIPACK konfigurieren:

- Leistungsregelung des Verdichters in Abhängigkeit eines externen Sollwert-Signals:
 - Schaltfläche KONFIGURATION anklicken
 - Parameter VERDICHTER anklicken und Verdichter inklusive Motorcode und Motorverschaltung auswählen.
 - Auf die Schaltfläche ÜBERTRAGEN klicken und BENUTZEREINSTELLUNG ZUM GERÄT ÜBERTRAGEN auswählen und anklicken.

Die Basiskonfiguration ist damit abgeschlossen.

- Leistungsregelung des Verdichters in Abhängigkeit des Verdampfungsdrucks mit dem Erweiterungsmodul zur Druckregelung (Option), siehe Abbildung 29, Seite 81.
 - Schaltfläche KONFIGURATION anklicken
 - Parameter VERDICHTER anklicken und Verdichter inklusive Motorcode und Motorverschaltung auswählen.
 - Das entsprechende Kältemittel auswählen.
 - Falls nötig, die Temperatur- und Druckeinstellungen anpassen.
 - Auf die Schaltfläche ÜBERTRAGEN klicken und BENUTZEREINSTELLUNG ZUM GERÄT ÜBERTRAGEN auswählen und anklicken.

Die Konfiguration ist damit abgeschlossen.

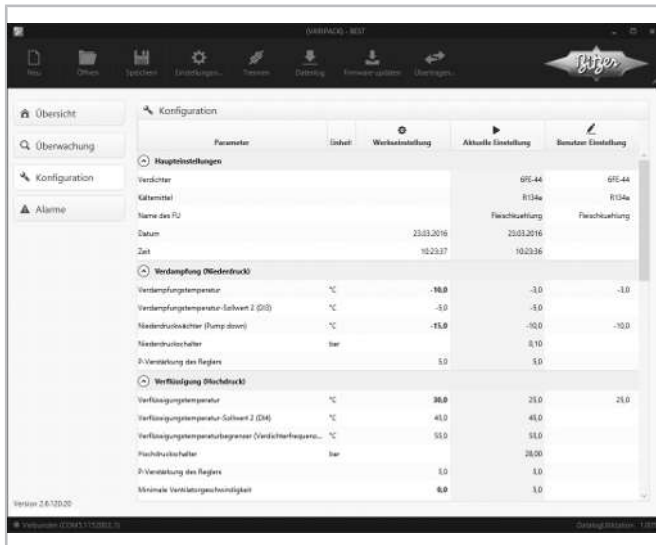


Abb. 29: VARIPACK Konfiguration "Druckregelung"

9 Störmeldungen und Überwachungsfunktionen

Beschreibung der Störtypen:

"Timed resets":

- "Timed reset"-Störungen setzen sich bis zu 5-mal selbsttätig zurück. Wenn die Störung nicht mehr aktiv ist und die darauf folgende parametrisierte Zeitverzögerung abgelaufen ist, kann der Verdichter wieder anlaufen. Das "Timed Reset" Intervall kann ab VARIPACK-Firmware V1.14 konfiguriert werden. Die Werkseinstellung beträgt wie in der Version zuvor 300s. Kürzere Intervalle sollten nur in Anlagen mit einem Systemregler eingestellt werden, der über ein Alarmmanagement verfügt. Nach 5 Fehlern innerhalb von 5 hintereinander abgelaufenen, konfigurierten Intervallen bzw. nach 5 Fehlern innerhalb von 5 Minuten, wird ein "External resets" Fehler ausgelöst.
- Nach fehlerfreiem Betrieb von mindestens 5 Minuten oder nach fehlerfreiem Durchlauf von 5 hintereinander abgelaufenen, konfigurierten Intervallen wird die Anzahl an möglichen "Timed resets" auf 5 zurückgesetzt. Gleiches geschieht beim aktiven Zurücksetzen (Reset) einer Störung, z. B. über den Digitaleingang DI5 (Reset).

"External resets":

- Störungen des Typs "External reset" werden zurückgesetzt wenn die Störung nicht mehr aktiv ist und ein Reset-Befehl empfangen wird. Der Reset-Befehl kann mit der roten Taste auf dem Bedienteil, über den Digitaleingang (DI5) oder über Modbus erfolgen.

Nr.	Störung	Warnung	Störungstyp
1	Überspannung	X	"Timed reset"
2	Unterspannung	X	"Timed reset"
3	Überstrom		"Timed reset"
4	Leistungsteil Fehler		"Timed reset"
5	Leistungsteil Überstrom		"Timed reset"
6	Strombegrenzung		"Timed reset"
7	Motor blockiert		"Timed reset"
8	Überlast		"Timed reset"
9	Überlast (Permanentmagnetmotoren)		"Timed reset"
10	Überstrom bei niedriger Drehzahl		"Timed reset"
11	Umgebungsübertemperatur Kühlkörper	X	"Timed reset"
12	Umgebungsübertemperatur Steuermodul	X	"Timed reset"
14	Verdichteranlauf fehlgeschlagen		"Timed reset"
20	Netzschütz		"Timed reset"
21	Phasenausfall		"Timed reset"
22	VDC Welligkeit		"Timed reset"
24	24 V Überlast		"Timed reset"
27	STO aktiv		"Timed reset"
29	Fehler Ventilator		"Timed reset"
30	Fehler Stromsensor		"Timed reset"
33	Fehler Nieder- oder Hochdruckmessumformer		"Timed reset"
34	Nieder- oder Hochdruckabschaltung		"Timed reset"

Tab. 7: Mögliche Störmeldungen

Für eine Auflistung der möglichen Ursachen einer Störung sowie Anleitungen zur Problembehandlung, siehe BEST SOFTWARE.

10 Wartung



GEFAHR

Lebensgefährliche Spannungen im Frequenzumrichtergehäuse!



Berühren kann zu schweren Verletzungen oder Tod führen.

FU-Gehäuse niemals im Betrieb öffnen! Hauptschalter ausschalten und gegen Wiedereinschalten sichern.

Mindestens 5 Minuten warten bis alle Kondensatoren entladen sind!

Vor Wiedereinschalten FU-Gehäuse verschließen.

Autorisiertes Fachpersonal

Wartungsarbeiten dürfen nur von Elektrofachkräften ausgeführt werden. Für die Qualifikation und Sachkunde der Fachkräfte gelten die jeweils gültigen Richtlinien.



Information

Aus Gründen der Garantie, der Zuverlässigkeit und der Qualität darf nur qualifiziertes Fachpersonal Reparaturen an diesem Gerät vornehmen. Sofern nicht anders angegeben, dürfen VARIPACK Frequenzumrichter nicht zerlegt werden. Bei einer Betriebsstörung VARIPACK Frequenzumrichter zurücksenden.

Regelmäßige und vorbeugende Wartungsarbeiten

Im Zuge regelmäßiger Wartungsarbeiten an der Anlage:

- Schaltschrank-Filtermatten überprüfen, ggf. reinigen oder austauschen.

Alle 5 Jahre im Zuge einer vorbeugenden Wartung:

- Kühlventilatoren des Leistungsteils austauschen.

Ventilatoren im Kühlkörper tauschen

Vor Wartungsarbeiten am VARIPACK Frequenzumrichter:



VORSICHT

Im Betrieb wird der Kühlkörper des VARIPACK Frequenzumrichters heiß.



Gefahr von Verbrennungen bei Berührung!

Vor Arbeiten am VARIPACK Frequenzumrichter, Stromversorgung trennen und mindestens 15 Minuten warten bis der Kühlkörper abgekühlt ist.

Ausbau des Ventilators bzw. der Ventilatoren:

- Die beiden Schrauben oben am Kühlkörper entfernen und das Ventilatorschutzgitter abnehmen.
- Den Ventilator bzw. die Ventilatoren herausnehmen, die Stecker der Verdrahtung abziehen und den neuen Ventilator bzw. die neuen Ventilatoren einsetzen. Darauf achten, dass die richtige Ventilatorseite nach oben zeigt. (siehe Abbildung 30, Seite 83).
- Anschließend das Ventilatorschutzgitter wieder anschrauben (Anzugsmoment 1,3 Nm).

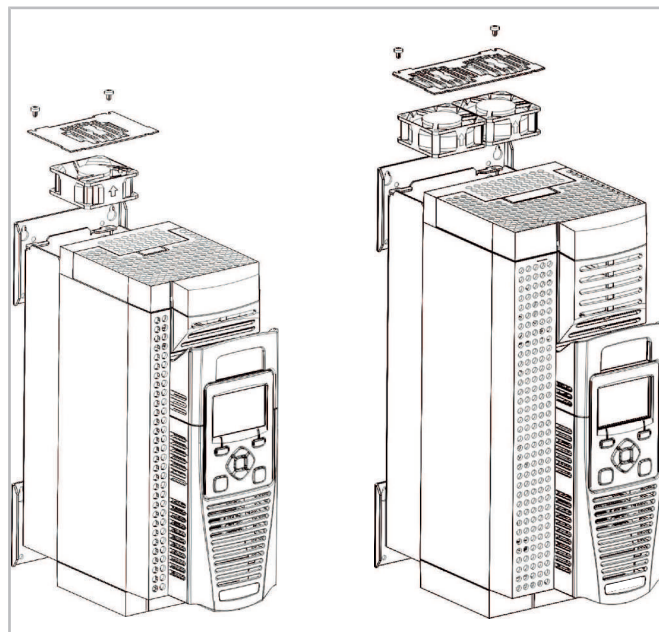


Abb. 30: Austausch der Ventilatoren im Kühlkörper

Typ	Teilenummern der Ventilatoren (Austauschfall)
FDU+12 .. FGU+38	343 034 05
FHU+45, FHU+60, FHU+73, FJU+105, FJU+145	343 034 06
FJU+87	343 034 08
FKU+180, FKU+205, FKU+260	343 034 07

Sommaire

1	Introduction	85
2	Sécurité	85
2.1	Personnel spécialisé autorisé	85
2.2	Dangers résiduels.....	85
2.3	Indications de sécurité.....	85
2.3.1	Indications de sécurité générales	85
3	Caractéristiques techniques	86
3.1	Structure modulaire du convertisseur de fréquences VARIPACK.....	88
4	Montage	88
4.1	Transport et stockage.....	89
4.2	Aération	89
4.3	Montage dans l'armoire électrique.....	89
4.4	Montage traversant (option).....	91
4.4.1	Instructions pour montage traversant	93
4.5	Montage dans une salle des machines (option)	95
4.5.1	Instructions de montage pour le kit IP21.....	96
4.6	Monter les supports de fixations pour les câbles de puissance et de commande.....	97
5	Raccordement électrique	99
5.1	Raccordement de mise à la terre.....	100
5.2	Raccordements de puissance (câble d'alimentation en tension et câble moteur).....	100
5.3	Raccordements de commande (entrées et sorties).....	101
5.4	Modes de service.....	103
5.4.1	Régulation de puissance du compresseur en fonction d'un signal de valeur de consigne externe	103
5.4.2	Régulation de puissance du compresseur en fonction de la pression d'évaporation	104
5.5	Compatibilité électromagnétique (CEM)	105
5.5.1	Analyse des ondes harmoniques FDU+6 .. FKU+260	106
5.6	Fonction (STO)	107
5.7	Schémas de principe	109
5.7.1	Schémas de principe pour les compresseurs à piston hermétiques accessibles	109
5.7.2	Schéma de principe pour les compresseurs à vis hermétiques accessibles	112
6	Fonctions de commande et de régulation	116
6.1	Module d'extension pour la régulation de la pression.....	118
7	Communication des données avec le convertisseur de fréquences VARIPACK	120
7.1	Communication via BEST SOFTWARE	120
7.2	Panneau de commande amovible (avec écran et clavier à touches)	121
7.2.1	Kit de montage pour montage externe du panneau de commande.....	121
7.2.2	Montage et commande du panneau de commande	122
7.3	Interface pour la communication via Modbus RTU et Modbus TCP/IP	122
8	Mettre en service le convertisseur de fréquences VARIPACK	122
9	Messages de défaut et fonctions de contrôle	123
10	Maintenance	124

1 Introduction

Les convertisseurs de fréquences VARIPACK ont été conçus pour une utilisation dans le domaine de la réfrigération, et plus particulièrement pour la régulation de puissance des compresseurs BITZER. Outre la régulation de vitesse, les convertisseurs de fréquences VARIPACK se chargent également des fonctions de commande et de régulation de l'installation frigorifique.

Cette instruction de service décrit les convertisseurs de fréquences BITZER VARIPACK pour les compresseurs frigorifiques. Pour toute information supplémentaire concernant la programmation des interfaces Modbus RTU et Modbus TCP/IP, veuillez vous référer au BEST SOFTWARE version 2.9 ou supérieure.

Les convertisseurs de fréquences VARIPACK ont été conçus selon le stade actuel de la technique et satisfont aux réglementations en vigueur. La sécurité des utilisateurs a été particulièrement prise en considération. Cette instruction de service doit être conservée à proximité immédiate du convertisseur de fréquences VARIPACK !

2 Sécurité

2.1 Personnel spécialisé autorisé

L'ensemble des travaux sur les convertisseurs de fréquences ne peuvent être exécutés que par un personnel spécialisé ayant été formé et initié de façon adéquate. Les qualifications et compétences des personnels spécialisés sont décrites dans les réglementations et directives nationales.

2.2 Dangers résiduels

Des dangers résiduels inévitables sont susceptibles d'être causés par les convertisseurs de fréquences. Toute personne travaillant sur cet appareil doit donc lire attentivement cette instruction de service !

Doivent être absolument prises en compte :

- les prescriptions de sécurité et normes applicables (par ex. EN378 et EN60204-1),
- les règles de sécurité généralement admises,
- les directives européennes,
- les réglementations nationales.

2.3 Indications de sécurité

sont des instructions pour éviter de vous mettre en danger. Respecter avec soins les indications de sécurité !



AVIS

Indication de sécurité pour éviter une situation qui peut endommager un dispositif ou son équipement.



ATTENTION

Indication de sécurité pour éviter une situation potentiellement dangereuse qui peut provoquer des lésions mineures ou modérées.



AVERTISSEMENT

Indication de sécurité pour éviter une situation potentiellement dangereuse qui peut entraîner la mort ou des blessures graves.



DANGER

Indication de sécurité pour éviter une situation immédiatement dangereuse qui peut provoquer la mort ou des blessures graves.

2.3.1 Indications de sécurité générales



DANGER

Tensions très dangereuses à l'intérieur du corps du convertisseur de fréquences !



Tout contact peut provoquer des blessures graves ou la mort.

Ne jamais ouvrir le corps du CF en cours de fonctionnement ! Mettre l'interrupteur principal hors circuit et le sécuriser contre toute remise en marche.

Attendre au moins 5 minutes jusqu'à ce que tous les condensateurs soient déchargés !

Avant la remise en marche, fermer le corps du CF.



DANGER

Une mise à la terre incorrecte ou insuffisante peut, en cas de contact avec le convertisseur de fréquences VARIPACK, causer des chocs électriques extrêmement dangereux !



Mettre le convertisseur de fréquences VARIPACK complet à la terre de façon permanente et contrôler régulièrement les contacts de terre !

Avant chaque intervention sur l'appareil, contrôler si l'ensemble des raccordements de tension est correctement isolé !



AVIS

Risque de défaillance du convertisseur de fréquences due à une surtension !
Ne jamais exécuter un essai de haute tension ou d'isolation des câbles en fonctionnement sans déconnecter préalablement le convertisseur de fréquences du circuit électrique à contrôler !



ATTENTION

En fonctionnement, le dissipateur de chaleur du convertisseur de fréquences VARIPACK devient chaud.
Risque de brûlures en cas de contact !
Avant tout travail sur le convertisseur de fréquences VARIPACK, couper l'alimentation électrique et attendre au moins 15 minutes que le dissipateur de chaleur ait refroidi.



3 Caractéristiques techniques

Convertisseur de fréquences VARIPACK	
Tension de service	380 .. 480 V/3/50 Hz $\pm 10\%$, 380 .. 480 V/3/60 Hz $\pm 10\%$. Fonctionnement sur réseaux IT sur demande. Afin d'atteindre une compatibilité avec ce type de réseau et la surveillance de réseau installée, il est nécessaire de désactiver les filtres CEM intégrés et d'utiliser des filtres externes spécifiques. Fonctionnement sur des générateurs, des groupes de secours et des réseaux avec compensation de la puissance réactive uniquement après concertation avec BITZER.
Courant de fuite à la terre	> 10 mA
Degré de protection	Degré de protection du corps - IP20 ou Open Type UL et cUL Catégorie de surtension III
Stockage	-25°C .. +55°C
Transport	-25°C .. +70°C
Lieu d'emplacement	<ul style="list-style-type: none"> • Température ambiante admissible : 0°C .. +50°C. À partir d'une température ambiante de 40°C, diminution de la puissance de 2% par degré Celsius (derating). Cela peut être directement pris en compte lors de la sélection dans le BITZER SOFTWARE. • Humidité relative de l'air autorisée : max. 85%, sans condensation (EN60721-3-3 classe 3K3 et 3C3). • Altitude maximale admissible au-dessus du niveau de la mer : 2000 m. À partir d'une altitude de 1000 m au-dessus du niveau de la mer, diminution de la puissance de 1% tous les 100 m (derating). Cela peut être directement pris en compte lors de la sélection dans le BITZER SOFTWARE. • Environnement suivant EN60664-4 : degré de pollution 1, non inflammable, non corrosif.
Vibrations	Test selon EN 60068-2-6 (Fc), 10 cycles par axe sur chacun des trois axes à angle droit les uns par rapport aux autres : <ul style="list-style-type: none"> • 10 Hz < f < 57 Hz sinusoïde 0,075 mm d'amplitude. • 57 Hz < f < 150 Hz sinusoïde 1 g.
Fonction STO	La fonction STO est une fonction de sécurité pour l'actionneur électrique, voir chapitre Fonction (STO), page 107.
CEM	Le compresseur avec convertisseur de fréquences (CF) satisfait à la directive UE CEM 2014/30/UE, voir chapitre Compatibilité électromagnétique (CEM), page 105.

La sélection et l'affectation des convertisseurs de fréquences VARIPACK aux compresseurs BITZER se fait

dans le BITZER SOFTWARE via le bouton ACCES-
SOIRES.

Type	Corps	Poids	Courant de sortie nominal	Puissance (à 400 V)	Caractéristiques spécifiques		Approbations CE / Certificats				Valeur(s) nominale(s) du (des) ventilateur(s)	
		kg	A	kW	Filtre CEM C2	STO	CE	UL ^①	cUL ^①	cTick	m ³ /h	cfm
FDU+6	D	4,5	5,5	2,2	intégré	✓	✓	✓	✓	✓	---	---
FDU+12	D	4,5	12	5,5	intégré	✓	✓	✓	✓	✓	45	27
FEU+16	E	6,8	16	7,5	intégré	✓	✓	✓	✓	✓	56	33
FEU+24	E	6,8	23	11	intégré	✓	✓	✓	✓	✓	56	33
FGU+32	G	10,0	32	15	intégré	✓	✓	✓	✓	✓	2x45	2x27
FGU+38	G	10,0	38	18	intégré	✓	✓	✓	✓	✓	2x45	2x27
FHU+45	H	22,3	45	22	intégré	✓	✓	✓	✓	✓	2x89	2x53
FHU+60	H	22,3	60	30	intégré	✓	✓	✓	✓	✓	2x89	2x53
FHU+73	H	22,3	73	37	intégré	✓	✓	✓	✓	✓	2x89	2x53
FJU+87	J	42,8	87	45	intégré	✓	✓	✓	✓	✓	2x45	2x27
FJU+105	J	42,8	105	55	intégré	✓	✓	✓	✓	✓	2x89	2x53
FJU+145	J	42,8	145	75	intégré	✓	✓	✓	✓	✓	2x89	2x53
FKU+180	K	89,0	180	90	Externe*	✓	✓	---	---	✓	3x133	3x80
FKU+205	K	89,0	205	110	Externe*	✓	✓	---	---	✓	3x133	3x80
FKU+260	K	89,0	260	132	Externe*	✓	✓	---	---	✓	3x133	3x80

① : uniquement en cas de montage dans l'armoire électrique.

* Filtre CEM externe pour la limite CEM C2 : Numéro de pièce : 347 955 02, Désignation : 3359-250-28

Tab. 1: Caractéristiques techniques, approbations et valeurs nominales des ventilateurs

3.1 Structure modulaire du convertisseur de fréquences VARIPACK

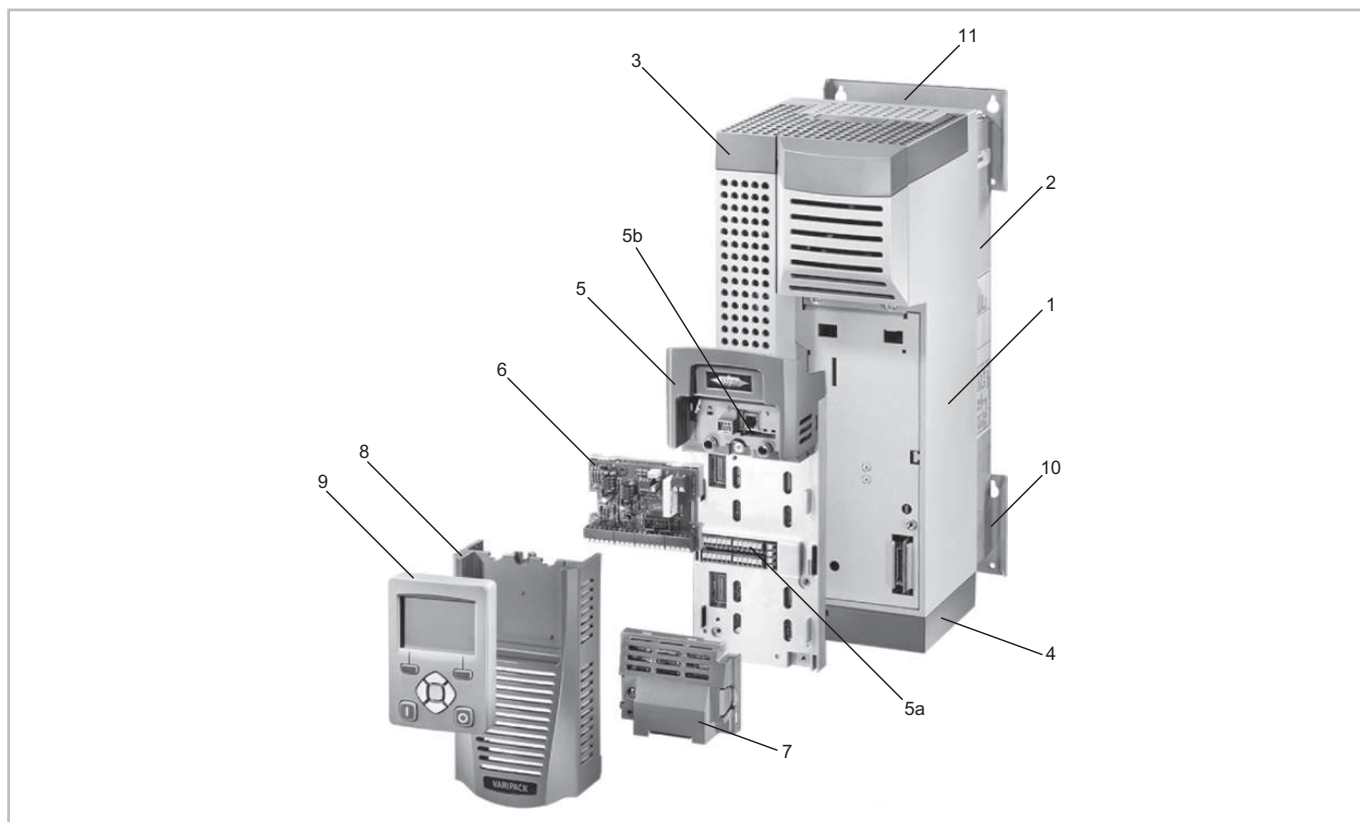


Fig. 1: Structure modulaire du convertisseur de fréquences VARIPACK

1	Unité de puissance	2	Dissipateur de chaleur
3	Couvercle supérieur du corps	4	Couvercle inférieur du corps
5	Module de contrôle avec 5a : Bornier 5b : Emplacement pour carte SD	6	Kit d'extension pour la régulation de pression (option)
7	Extension d'interface avec horloge en temps réel	8	Couvercle du module de contrôle
9	Panneau de commande amovible avec écran et clavier à touches (option)	10+11	Tôles de fixation

4 Montage

teindre la catégorie CEM C2 selon la norme EN61800-3.

i Information
Toujours monter le convertisseur de fréquences VARIPACK à la verticale.

Les supports de fixations pour les câbles de puissance et de commande sont joints en standard à la livraison et doivent être montés en combinaison avec le ou les noyau(x) de ferrite (voir figure 11, page 101) jusqu'à la taille de corps VARIPACK FJU+145 afin de pouvoir at-

4.1 Transport et stockage

AVIS

Risque d'endommagement du convertisseur de fréquences VARIPACK !

Ne pas soulever ou poser le convertisseur de fréquences VARIPACK au niveau des raccords.

Ne poser l'appareil que sur une surface propre, plane et sèche.

Le stockage ne doit se faire que dans des endroits bien aérés et protégés contre les températures élevées, l'humidité, la poussière et les particules métalliques !

Température de stockage : -25°C .. +55°C.

Température de transport : -25°C .. +70°C.

4.2 Aération

AVIS

En fonctionnement, les convertisseurs de fréquences VARIPACK dégagent de la chaleur.

Une circulation et une arrivée d'air insuffisantes, voire bloquées au niveau des fentes de ventilation et du dissipateur de chaleur du convertisseur de fréquences VARIPACK peut conduire à une défaillance pour cause de surchauffe !

Respecter les espacements minimaux pour l'aération (voir figure 2, page 89) !

Quand deux convertisseurs de fréquences VARIPACK ou plus sont montés côte à côte, additionner les espacements !

Lors de l'utilisation de ventilateurs avec filtre, il faut déterminer soigneusement le débit d'air (m³/h) nécessaire pour pouvoir garantir un refroidissement suffisant de tous les dispositifs électriques contenus dans l'armoire électrique. Pour une protection contre les températures inférieures à 0°C et pour éviter la condensation, le lieu d'installation et les conditions climatiques peuvent nécessiter le chauffage de l'armoire électrique.

Valeurs nominales des ventilateurs VARIPACK, voir tableaux 1, page 87.

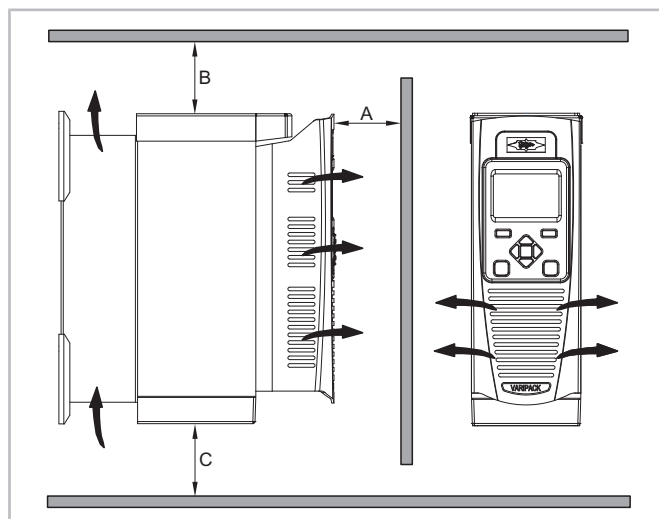


Fig. 2: Espacements de ventilation minimaux en cas de montage transversant ou dans l'armoire électrique

Types	Espacements de ventilation minimaux		
	A	B	C ①
	mm	mm	mm
FDU+6 .. FHU+73	10	75	75
FJU+87 .. FKU+260	10	100	100

Tab. 2: Espacements de ventilation minimaux en cas de montage transversant ou dans l'armoire électrique

① : Espacement de ventilation minimal sans prise en compte de l'espace pour les câbles.

4.3 Montage dans l'armoire électrique

Le montage du convertisseur de fréquences VARIPACK dans l'armoire électrique se fait à l'aide de tôles de fixation.

FDU+6 .. FHU+73

Les tôles de fixation peuvent être déplacées vers le haut ou le bas grâce aux différents perçages espacés de 15 mm les uns par rapport aux autres.

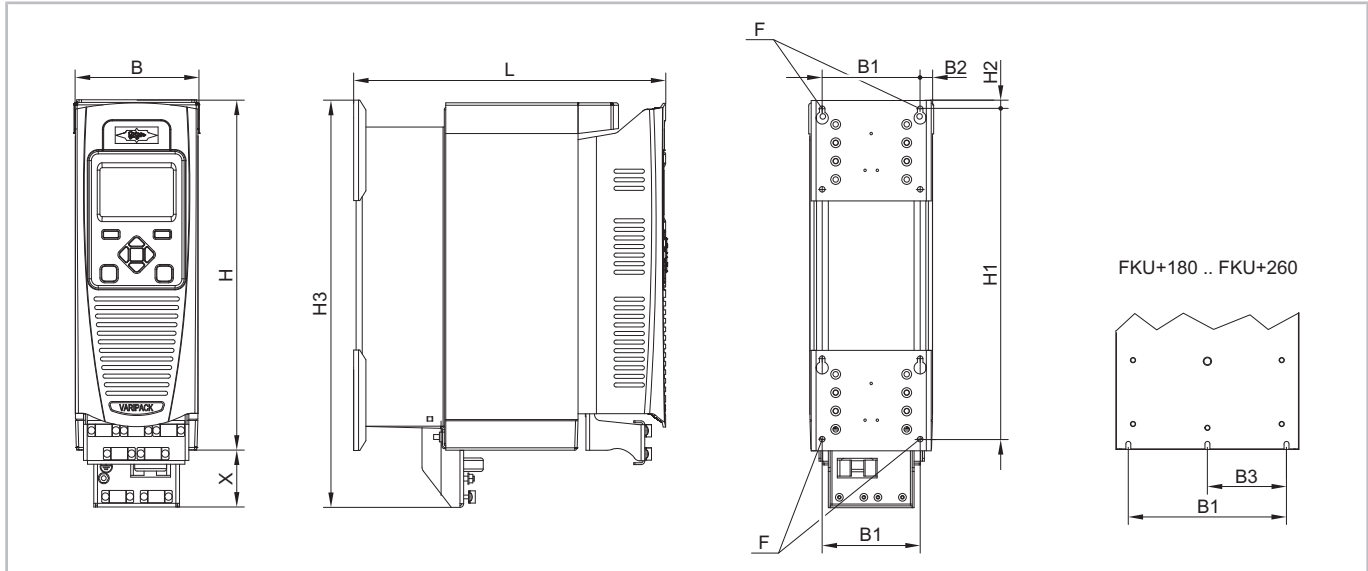


Fig. 3: Croquis coté FDU+6 .. FKU+260 pour le montage dans l'armoire électrique (le croquis montre le FDU avec panneau de commande optionnel)

	B	B1	B2	B3	F	H	H1	H2	H3	L	X
	mm	mm	mm	mm		mm	mm	mm	mm	mm	mm
FDU+6, FDU+12	100	80	10	---	M4	286	270	7	332	255	46
FEU+16, FEU+24	125	100	13	---	M4	333	320	7	398	255	62
FGU+32, FGU+38	150	125	13	---	M4	383	370	7	455	255	72
FHU+45 .. FHU+73	220	190	13	---	M5	480	465	7	588	287	108
FJU+87 .. FJU+145	260	220	20	---	M6	670	650	10	870	316	200
FKU+180 .. FKU+260	330	285	23	143	M8	800	780	10	1055	374	255

4.4 Montage traversant (option)

En cas de montage traversant, le dissipateur de chaleur (avec degré de protection IP54) du convertisseur de fréquences VARIPACK est situé en dehors de l'armoire électrique.

Résultat :

- Cela permet d'utiliser une armoire électrique plus petite, étant donné qu'une grande partie de la chaleur émise par le convertisseur de fréquences VARIPACK est évacuée hors de l'armoire électrique.
- Cela permet de réduire au maximum la ventilation de l'armoire électrique.
- Cela permet de garder le convertisseur de fréquences VARIPACK plus facilement propre et sec.

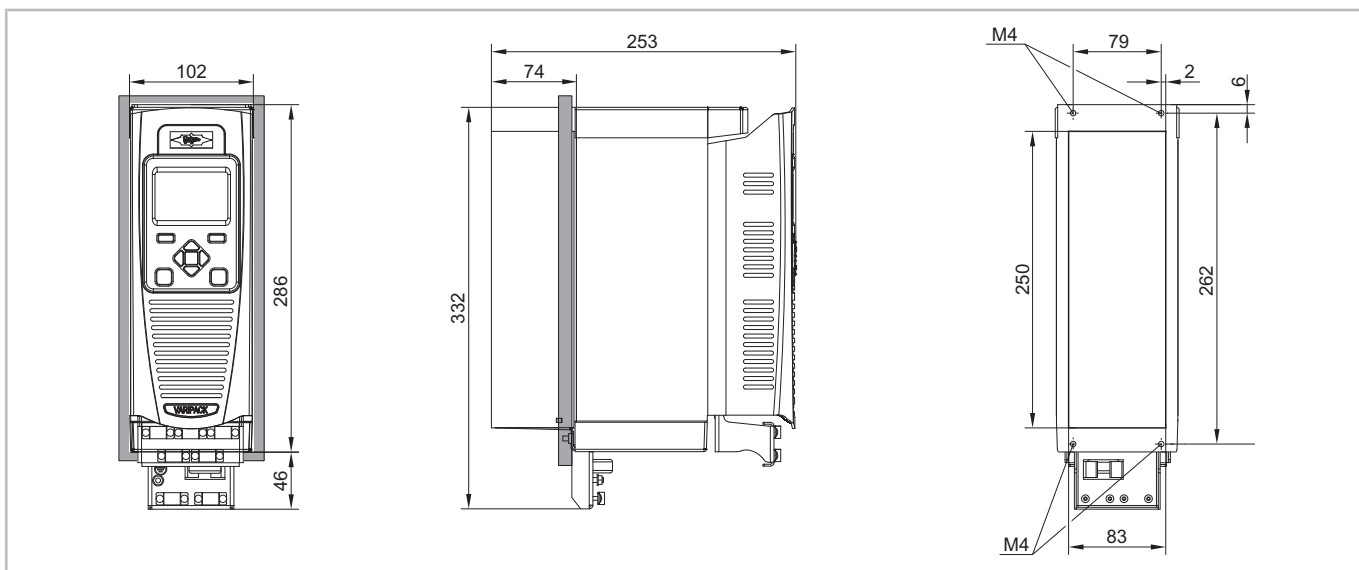


Fig. 4: Croquis coté FDU+6, FDU+12 pour montage traversant (avec panneau de commande optionnel)

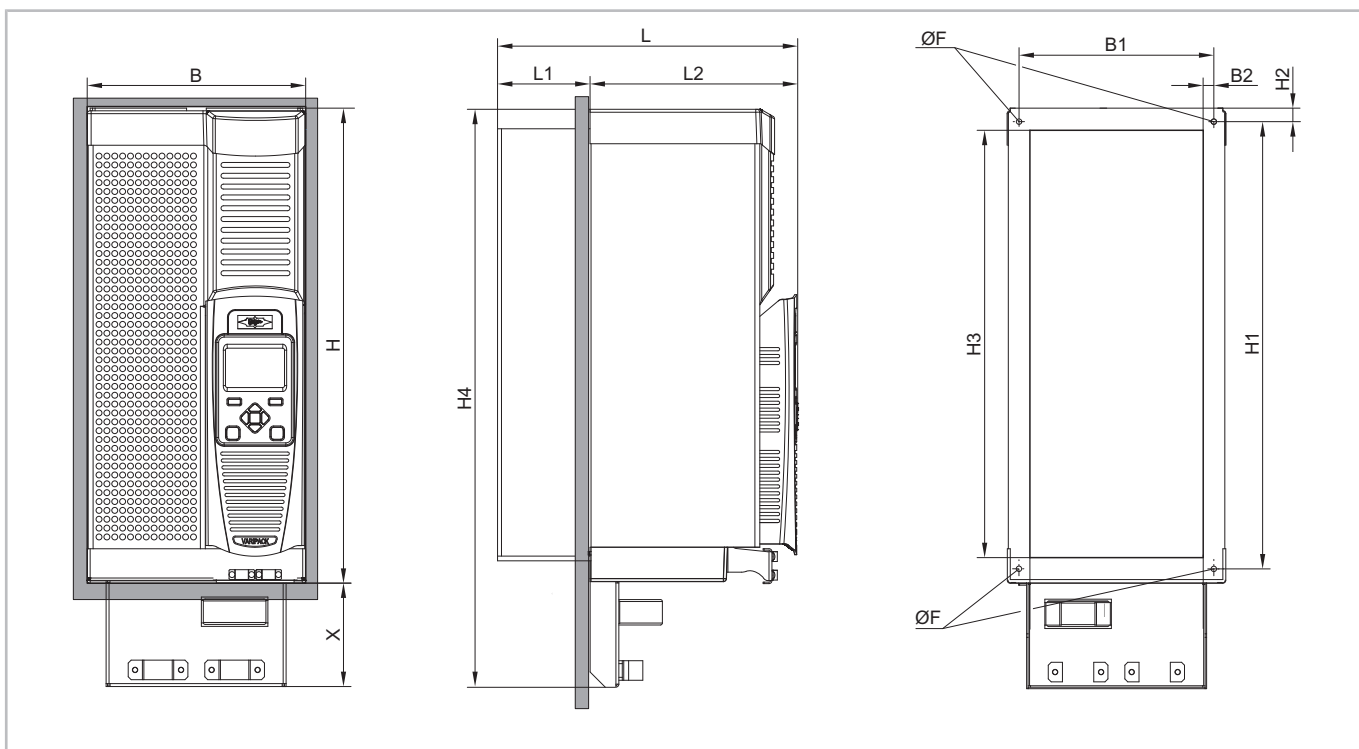


Fig. 5: Croquis coté FEU+16 .. FHU+73 pour montage traversant (avec panneau de commande optionnel)

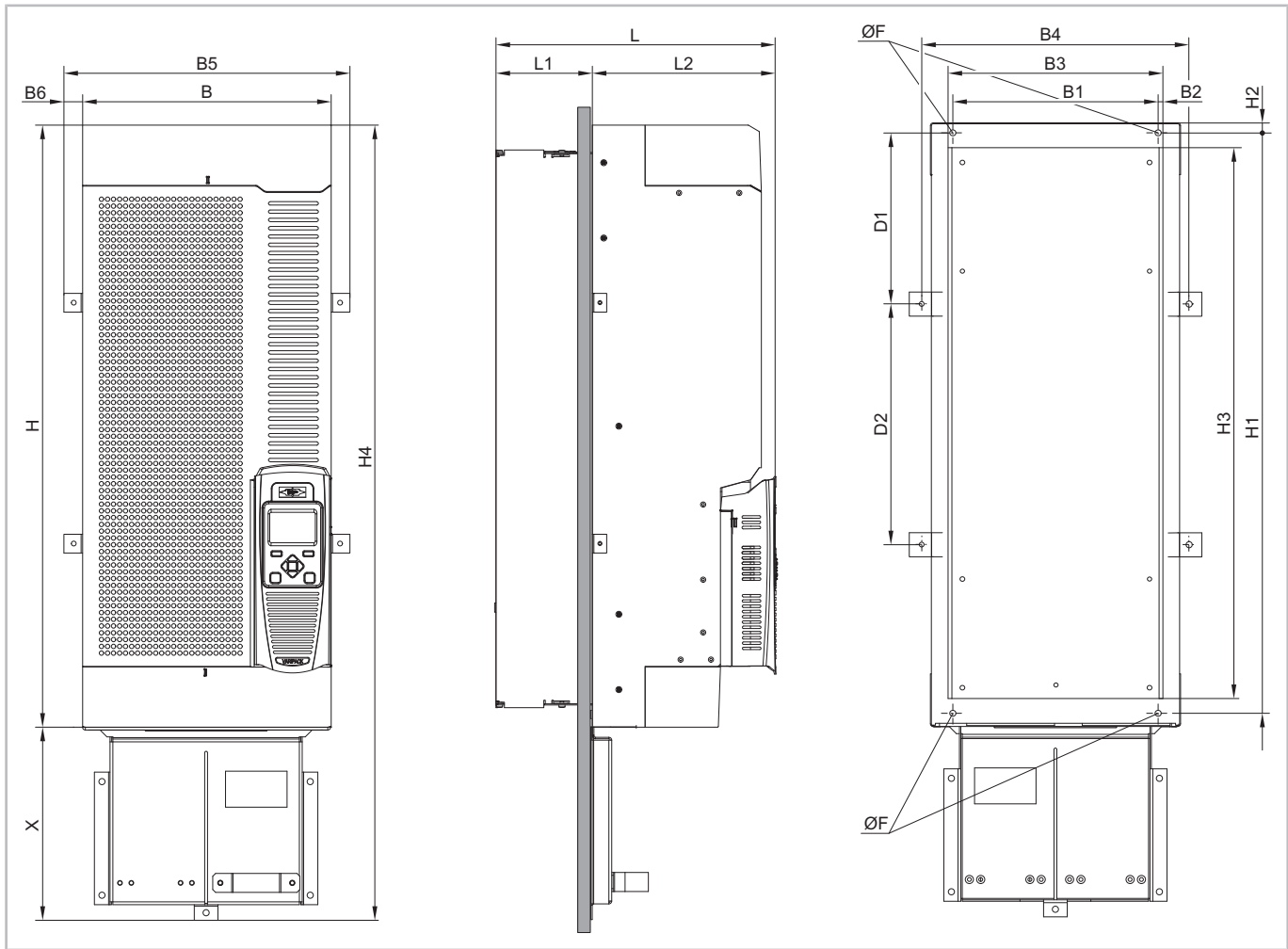


Fig. 6: Croquis coté FJU+87 .. FKU+260 pour montage traversant (avec panneau de commande optionnel)

	B	B1	B2	B3	B4	B5	B6	D1	D2	F
	mm	mm	mm	mm	mm	mm	mm	mm	mm	
FEU+16, FEU+24	125	104	1	102	---	---	---	---	---	M4
FGU+32, FGU+38	150	129	1	127	---	---	---	---	---	M4
FHU+45 .. FHU+73	220	196	1	195	---	---	---	---	---	M5
FJU+87 .. FJU+145	260	218	5	227	292	312	26	208	220	M6
FKU+180 .. FKU+260	330	275	13	300	360	380	26	219	320	M8

	H	H1	H2	H3	H4	L	L1	L2	X
	mm	mm	mm	mm	mm	mm	mm	mm	mm
FEU+16, FEU+24	336	309	6	297	398	253	72	181	62
FGU+32, FGU+38	383	359	6	347	455	253	72	181	72
FHU+45 .. FHU+73	480	456	12	440	588	287	95	192	108
FJU+87 .. FJU+145	670	641	15	617	870	310	99	211	200
FKU+180 .. FKU+260	800	765	10	745	1055	374	128	246	255

4.4.1 Instructions pour montage traversant

Explications en images voir figure 7, page 94 et voir figure 8, page 95.

- Dévisser les tôles de fixation.
- Démonter les couvercles supérieur (A) et inférieur (B) du corps.

Démonter le couvercle supérieur du corps :

FDU+6 et FDU+12 :

Pour que, sur ces types, le couvercle supérieur du corps puisse être coulissé vers l'avant et démonté, il faut d'abord démonter le module de contrôle (voir figure 7, page 94).

Démonter le module de contrôle (voir figure 7, page 94) :

1. Commencer par faire coulisser le panneau de commande vers l'avant et le retirer.
 2. Desserrer la vis au centre du module de contrôle, faire coulisser le couvercle du module de contrôle légèrement vers le bas et le retirer
 3. Desserrer la vis imperdable et lever légèrement le module de contrôle par le bas.
 4. Faire coulisser le module de contrôle autant que possible vers le haut et le retirer du convertisseur de fréquences.
- Presser ensuite le clip en plastique situé sous le couvercle supérieur du corps (A). Le verrouillage se défait.
 - Faire coulisser le couvercle vers l'avant et le retirer.

FEU+16 .. FDU+260 :

Sur ces types, il n'est pas nécessaire de démonter le module de contrôle pour pouvoir retirer le couvercle supérieur du corps (voir figure 8, page 95).

- Insérer un tournevis profondément dans la fente du couvercle supérieur du corps (A) et pousser le clip vers la droite. Le verrouillage se défait.
- Puis faire coulisser vers le bas le couvercle supérieur du corps.

Démonter le couvercle inférieur du corps :

Pour que le couvercle inférieur du corps puisse être coulissé vers l'avant et démonté, il faut d'abord, sur certains types, démonter le module de contrôle.

Démonter le module de contrôle (voir figure 7, page 94) :

1. Commencer par faire coulisser le panneau de commande vers l'avant et le retirer.
 2. Desserrer la vis au centre du module de contrôle, faire coulisser le couvercle du module de contrôle légèrement vers le bas et le retirer
 3. Desserrer la vis imperdable et lever légèrement le module de contrôle par le bas.
 4. Faire coulisser le module de contrôle autant que possible vers le haut et le retirer du convertisseur de fréquences.
- Insérer le tournevis dans la fente du couvercle inférieur du corps (B) et pousser légèrement vers la gauche. Le verrouillage se défait.
 - Puis faire coulisser vers le bas le couvercle inférieur du corps.
 - Dans un sachet supplémentaire : Apposer le joint (D) intégré à la livraison autour du convertisseur de fréquences de telle manière que l'espace libre entre la paroi de l'armoire électrique (C) et le convertisseur de fréquences soit entièrement étanchéifié.
 - Monter le convertisseur de fréquences VARIPACK à l'aide de 4 vis de fixation (E) à la paroi de l'armoire électrique (voir figure 8, page 95).

FGU+32 .. FDU+260 :

- Pour ces types, il faut également visser les pattes de fixation latérales. Celles-ci sont intégrées au kit de montage pour le montage traversant.

Puis reposer les couvercles de corps supérieur et inférieur ou les faire coulisser jusqu'à ce que les clips en plastique s'enclenchent.



Information

Si vous passez directement au raccordement électrique, vous n'êtes pas obligé de remonter le couvercle inférieur du corps.

FDU+6 et FDU+12 et tous les autres types pour lesquels le module de contrôle a été démonté :

- Réinsérer le module de contrôle et le faire coulisser vers le haut jusqu'à ce que le clip s'enclenche.
- Visser la vis imperdable.
- Poser le couvercle du module de contrôle jusqu'à ce que le clip s'enclenche et visser fermement.

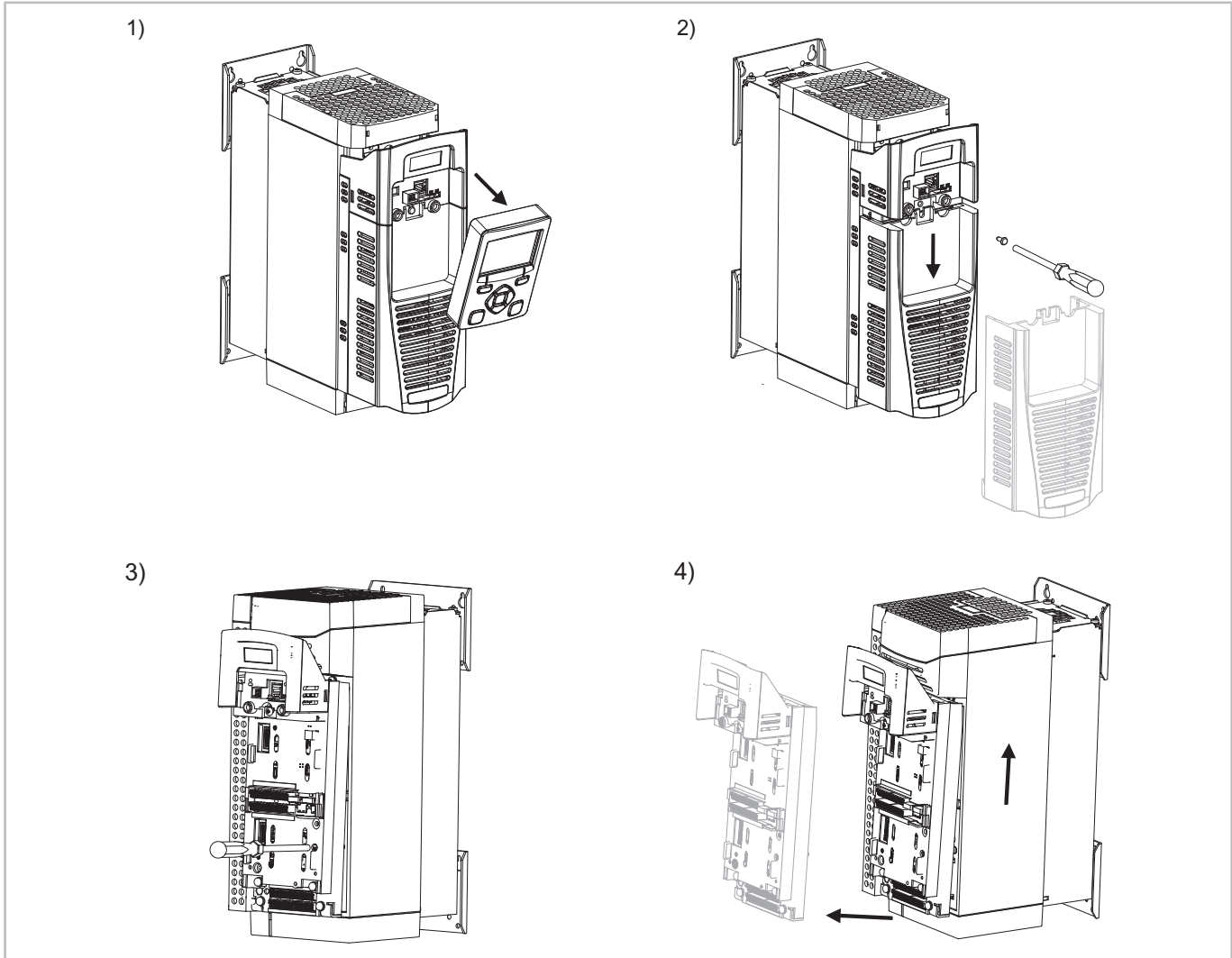


Fig. 7: Démonter le module de contrôle

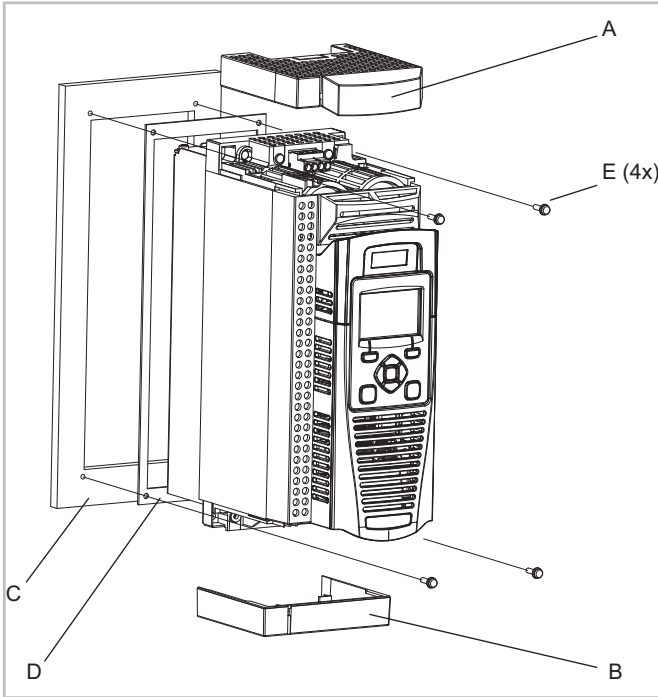


Fig. 8: Vue détaillée montage traversant (à l'exemple du FDU)

A	Couvercle supérieur du corps
B	Couvercle inférieur du corps
C	Paroi de l'armoire électrique
D	Joint (intégré à la livraison)
E	Vis de fixation

4.5 Montage dans une salle des machines (option)

Pour permettre un montage libre dans une salle des machines, il faut également utiliser le kit de montage IP21, voir chapitre Instructions de montage pour le kit IP21, page 96. Les dimensions extérieures des convertisseurs de fréquences VARIPACK augmentent en conséquence, voir figure 9, page 95.

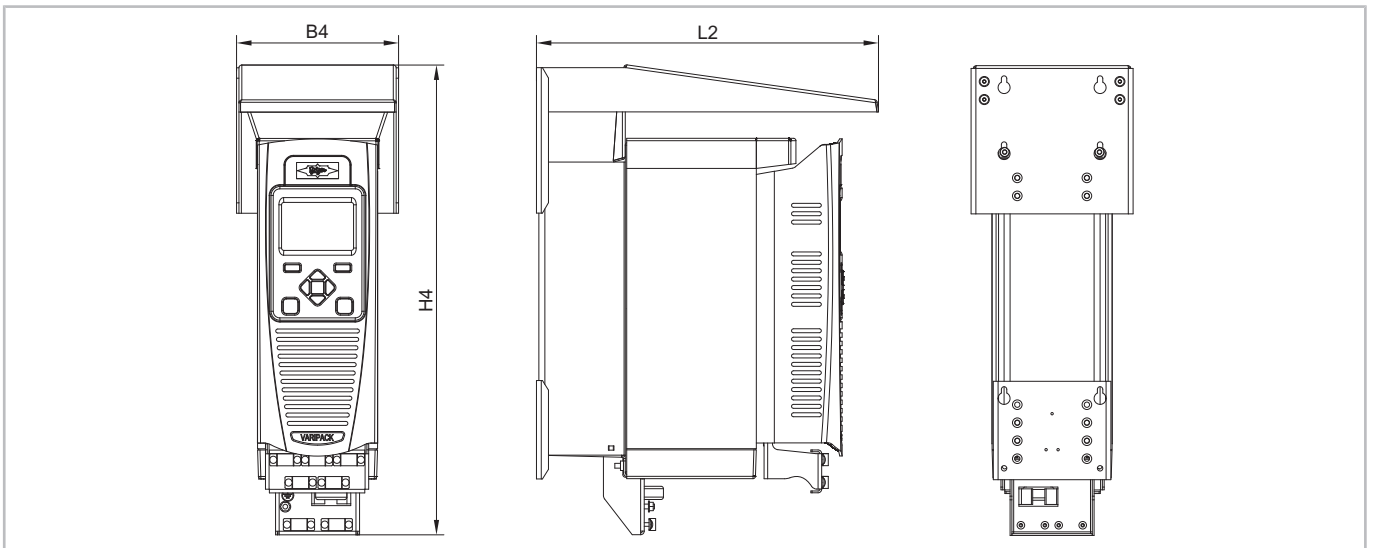
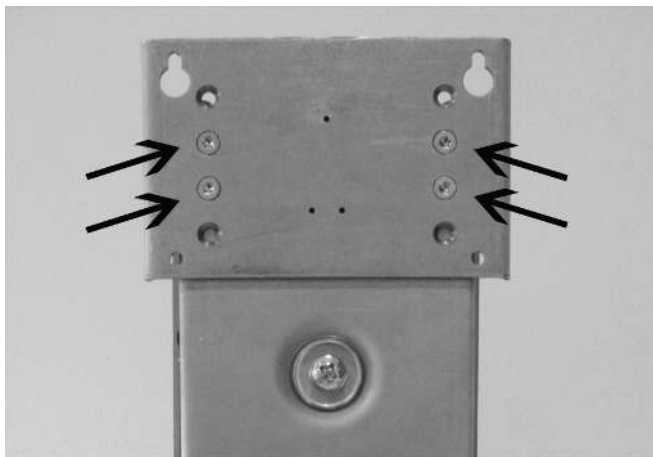


Fig. 9: Croquis coté FDU+6 .. FKU+260 pour un montage libre dans une salle des machines avec le kit de montage IP21 (le croquis montre le FDU avec panneau de commande optionnel)

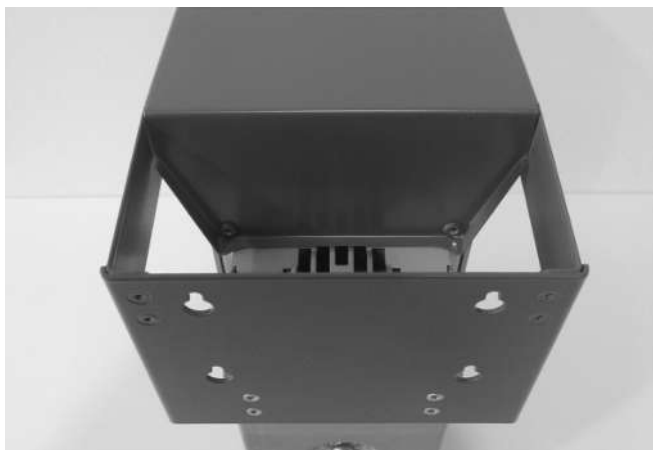
	B4	H4	L2
	mm	mm	mm
FDU+6, FDU+12	135	391	285
FEU+16, FEU+24	160	445	300
FGU+32, FGU+38	215	505	300
FHU+45 .. FHU+73	300	660	355
FJU+87 .. FJU+145	360	940	480
FKU+180 .. FKU+260	450	1160	520

4.5.1 Instructions de montage pour le kit IP21

Pour les types CF: FDU, FEU, FGU, FHU.



Dévisser la tôle de fixation supérieure. Pour ce faire, desserrer les 4 vis indiquées.



Visser le couvercle IP21 à la place de la tôle de fixation supérieure.



- Sur les convertisseurs de fréquences FDU, pour que, le couvercle supérieur du corps puisse être

coulissé vers l'avant et démonté, il faut d'abord démonter le module de contrôle (voir figure 7, page 94 et voir page 93).

- Insérer un tournevis profondément dans la fente du couvercle supérieur du corps et pousser le clip vers la droite. Le verrouillage se défait.
- Puis faire coulisser vers le bas le couvercle supérieur du corps.



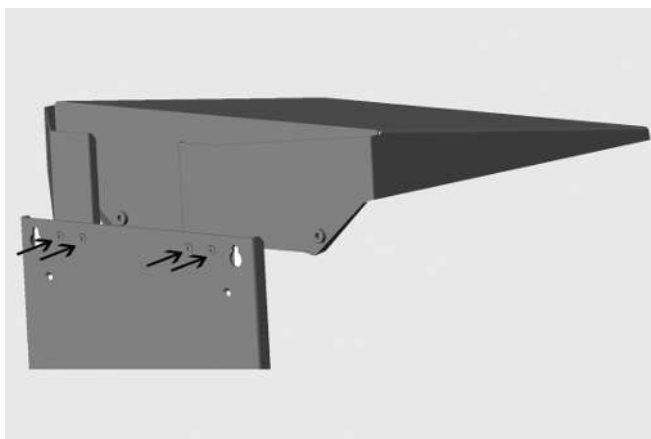
Fixer en outre le couvercle IP21 à l'aide des vis comprises dans le kit de montage.



Puis replacer le couvercle de corps supérieur ou le faire coulisser jusqu'à ce que les clips en plastique s'enclenchent.

Pour les convertisseurs de fréquences FDU, réinsérer le module de contrôle (voir page 93).

Pour les CF VARIPACK FJU et FKU.



Pour ces types, il n'est pas nécessaire de dévisser la tôle de fixation supérieure !

Visser le couvercle IP21 directement sur la tôle de fixation supérieure. Puis procéder comme pour les types FDU .. FHU.

4.6 Monter les supports de fixations pour les câbles de puissance et de commande

Les supports de fixations pour les câbles de puissance et de commande sont joints en standard à la livraison et doivent être montés en combinaison avec le ou les noyau(x) de ferrite (voir figure 11, page 101) jusqu'à la taille de corps VARIPACK FJU+145 afin de pouvoir atteindre la catégorie CEM C2 selon la norme EN61800-3.

Explications en images voir figure 10, page 98.

Monter le support de fixation arrière pour les câbles de puissance :

- Retirer le couvercle inférieur du corps (voir chapitre Montage traversant (option), page 91). Le cas échéant, il peut être nécessaire de commencer par démonter le module de contrôle (voir page 93)
- Approcher le support de fixation par l'arrière et le poser au niveau des deux trous de fixation en bas, puis insérer par l'avant les vis jointes à la livraison et les visser fermement.
- Monter à nouveau le couvercle inférieur du corps et, le cas échéant, insérer à nouveau le module de contrôle (voir page 93).

Monter le support de fixation avant pour câble de commande :

- Retirer le couvercle du module de contrôle (voir chapitre Montage traversant (option), page 91).
- Dévisser l'extension d'interface avec horloge en temps réel. Pour ce faire, desserrer la vis imperdable située au niveau de l'extension d'interface et presser vers l'intérieur les clips en plastique gauche et droit. Le verrouillage se défait.
- Extraire vers l'avant l'extension d'interface.
- Visser le support de fixation pour câble de commande depuis l'avant à l'aide des vis jointes à la livraison dans les trous de fixation gauche et droit désormais visibles.
- Replacer l'extension d'interface jusqu'à ce que les clips en plastique s'enclenchent et visser fermement la vis imperdable.
- Revisser le couvercle du module de contrôle.

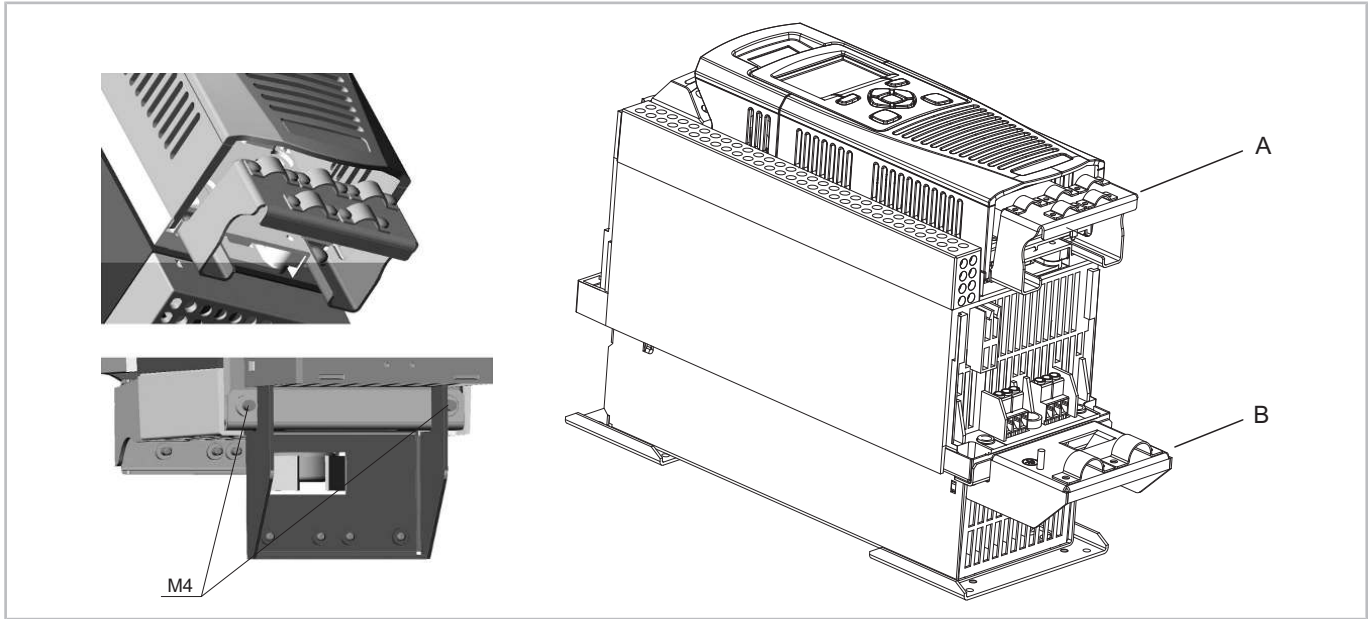


Fig. 10: Monter des supports de fixations pour les câbles de puissance et de commande, à l'exemple du FEU+16 avec montage dans l'armoire électrique

A Support de fixation avant pour câble de commande

B Support de fixation arrière pour le câble de puissance

5 Raccordement électrique

Avant tout travail sur le système électrique :



DANGER

Tensions très dangereuses à l'intérieur du corps du convertisseur de fréquences !



Tout contact peut provoquer des blessures graves ou la mort.

Ne jamais ouvrir le corps du CF en cours de fonctionnement ! Mettre l'interrupteur principal hors circuit et le sécuriser contre toute remise en marche.

Attendre au moins 5 minutes jusqu'à ce que tous les condensateurs soient déchargés ! Avant la remise en marche, fermer le corps du CF.



DANGER

Tant que le convertisseur de fréquences VARIPACK est sous tension, les condensateurs dans le circuit intermédiaire sont chargés.



À partir de ce moment, tous les composants électriques dans le convertisseur de fréquences VARIPACK présentent un risque !

Pour le fonctionnement du convertisseur de fréquences VARIPACK, les raccordements électriques suivants sont nécessaires :

- Raccordement de mise à la terre VARIPACK.
- Raccordements de puissance VARIPACK (câbles électrique et moteur).
- Raccordements de commande VARIPACK.

Pour la sélection des diamètres de câbles, des fusibles de sécurité et des couples de serrage des raccordements de puissance et de mise à la terre voir tableaux 3, page 99. Utiliser des fusibles de sécurité du type gL/gG ou des disjoncteurs de surcharge aux caractéristiques adéquates.

Type	Courant d'entrée nominal	Diamètres minimal .. maximal des câbles et couples de serrage (en Nm)				Fusibles de sécurité			
		Raccordements de puissance		Raccordements de mise à la terre		Courant nominal max. pour fusible de sécurité (A)			
	A		Nm		Nm	Stand.	UL, cUL (type)		
FDU+6	7,6	0,05 .. 6 mm ²	0,56 .. 0,8	M4	1,8	10	10 (classe J)		
FDU+12	10,6			Cosse de câble annulaire	1,8	16	20 (classe J)		
FEU+16	14,5							20	25 (classe J)
FEU+24	20,4							25	30 (classe J)
FGU+32	28,5	1 .. 10 mm ² (16 mm ² avec borne)	1,35	M4	1,8	32	40 (classe J)		
FGU+38	33,5			Cosse de câble annulaire	1,8	40	50 (classe J)		
FHU+45	40	1,3 .. 25 mm ²	2,0					M5	3,6
FHU+60	54,7			Cosse de câble annulaire	3,6	80	80 (classe J)		
FHU+73	66,2							100	100 (classe J)
FJU+87	78,8	Goupille M8, pour cosses de câbles ou embouts de fils jusqu'à 26,5 mm de long (min. 25 mm ²)	20	M8	20	125	125 (A50QS-125-4)		
FJU+105	95,8			Cosse de câble annulaire	20	160	150 (A50QS-150-4)		
FJU+145	130							200	200 (A50QS-200-4)
FKU+180	160	Goupille M8, pour cosses de câbles ou embouts de fils jusqu'à 32 mm de long (min. 25 mm ²)	20	M8	20	250	250 (A50QS-250-4)		
FKU+205	198			Cosse de câble annulaire	20	315	300 (A50QS-300-4)		
FKU+260	236							400	350 (A50QS-350-4)

Tab. 3: Diamètres de câbles, couples de serrage et fusibles de sécurité

5.1 Raccordement de mise à la terre

Les normes EN 61800-5-1 (Norme produit pour entraînements électriques de puissance à vitesse variable) et DIN EN 50178 DIN VDE 0160 (Équipement électronique utilisé dans les installations de puissance) imposent des exigences particulières en matière de mise à la terre dès que le courant de fuite à la terre dépasse 3,5 mA.

- En version simple, la section du conducteur de protection doit être de 10 mm² si les phases (L1, L2, L3) sont < 16 mm² ou avec la section de phase correspondante, il doit être réalisé en version double.
- Si les phases (L1, L2, L3) sont ≥ 16 mm² et ≤ 35 mm², le conducteur de protection doit être de 16 mm².
- Si les phases (L1, L2, L3) sont > 35 mm², la section du conducteur de protection doit être supérieure ou égale à 50% des phases (L1, L2, L3) utilisées.

Tous les éléments métalliques exposés du convertisseur de fréquences VARIPACK sont protégés par une isolation de base et mis à la terre.



AVERTISSEMENT

Les convertisseurs de fréquences VARIPACK peuvent générer un courant continu dans le conducteur de protection.



Risque de choc électrique en cas de contact ! Si pour vous protéger en cas de contact direct ou indirect, vous utilisez un dispositif de protection contre les courants de fuite (RCD) ou un dispositif de surveillance de courant de fuite (RCM), le côté alimentation électrique de ce produit ne peut accepter qu'un RCD ou un RCM de type B (selon la norme IEC/EN 60755) !

Disjoncteur différentiel (RCD ou disjoncteur FI)

- N'utiliser qu'un disjoncteur FI (RCD) de type B sensible à tous les courants qui soit également capable de détecter les courants continus résiduels.
- Calculer le RCD par rapport à la configuration système et aux conditions environnementales.

5.2 Raccordements de puissance (câble d'alimentation en tension et câble moteur)



DANGER

Une mise à la terre incorrecte ou insuffisante peut, en cas de contact avec le convertisseur de fréquences VARIPACK, causer des chocs électriques extrêmement dangereux !



Mettre le convertisseur de fréquences VARIPACK complet à la terre de façon permanente et contrôler régulièrement les contacts de terre !

Avant chaque intervention sur l'appareil, contrôler si l'ensemble des raccordements de tension est correctement isolé !

Explications graphiques voir figure 11, page 101.

- Faire passer le câble d'alimentation en tension et le câble moteur via les entrées de câbles prévues à cet effet en dessous des agrafes de câbles dans les convertisseurs de fréquences VARIPACK (voir figure 11, page 101) et raccorder les bornes de puissance. Tenir compte des couples de serrage des bornes (voir tableaux 3, page 99).
 - Raccordement du câble d'alimentation en tension aux bornes L1, L2, L3 et au conducteur de protection.
 - Raccordement du câble moteur aux bornes U(M1), V(M2), W(M3) et au conducteur de protection.
 - Tenir compte des remarques relatives à la compatibilité électromagnétique (CEM) (voir chapitre Compatibilité électromagnétique (CEM), page 105) !
- Les convertisseurs de fréquences VARIPACK sont équipés en version standard d'une fonction d'arrêt, la fonction STO. Cette fonction STO permet de se passer du disjoncteur principal en amont ou en aval du convertisseur de fréquences VARIPACK (voir chapitre Schémas de principe pour les compresseurs à piston hermétiques accessibles, page 109). Pour de plus amples détails sur la fonction STO, voir chapitre Fonction (STO), page 107.

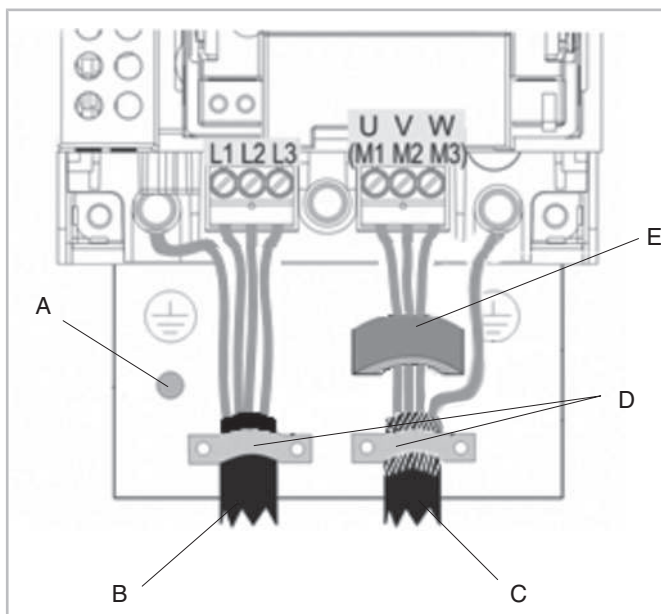


Fig. 11: Raccordements de puissance (câble d'alimentation en tension et câble moteur) avec support de fixation

A	Mise à la terre	B	Câble d'alimentation en tension / bornes pour tension de réseau
C	Câble de moteur / bornes de moteur	D	Agrafes de câbles
E	Noyau en ferrite		

5.3 Raccordements de commande (entrées et sorties)



Information

Pour respecter les exigences de sécurité et de CEM, le module de contrôle doit être mis à la terre ailleurs que le dispositif !



Information

L'ensemble du câblage externe doit être homologué pour la tension du système la plus élevée !

Toutes les bornes de commande et de signalisation garantissent de très basses tensions de sécurité (TBTS), autrement dit, elles sont protégées par une double isolation.

Spécifications des raccordements de commande :

- Lignes complètement sans embouts ou avec embouts non isolés : 0,25 .. 1,5 mm².
- Lignes avec embouts isolés : 0,25 .. 0,75 mm².

Entrées numériques

- Fonction
 - X13 : 2 : DI1 (Start)
Commande de démarrage du compresseur.
 - X13 : 3 : DI2 (Force)
Fonctionnement du compresseur avec une fréquence minimale de 50 Hz.
 - X13 : 4 : DI3 (p01 → 2)
Régulation externe : sans fonction.
Avec module d'extension : Commutation de la valeur de consigne de température d'évaporation de 1 à 2.
 - X12 : 1 : DI4 (pc1 → 2)
Régulation externe : sans fonction.
Avec module d'extension : Commutation de la valeur de consigne de température de condensation de 1 à 2.
 - X12 : 2 : DI5 (Reset)
Déverrouillage des défauts.
 - X12 : 3 : DI6 (Detection)
Détection automatique du module d'extension.
- Caractéristiques techniques
 - État :
Off : 0 .. 5 V CC
Non défini : 5 .. 15 V CC
On : 15 .. 24 V CC
 - Tension d'entrée max. : ± 30 V CC
 - Impédance d'entrée : 3,3 kΩ.
 - Courant d'entrée : 7,3 mA ± 10% pour 24 V CC
 - Common dans X10:4

Entrées analogiques

- Fonction
 - X11 : 1 : AI1 (mA / p0)
Régulation externe : Valeur de consigne avec un signal 4 .. 20 mA.
X10 : 2 : Common
Avec le module d'extension : Entrée pour la basse pression venant du module d'extension (→X11 : 1)
 - X11 : 2 : AI2 (V / pc)

Régulation externe : Valeur de consigne avec un signal 0 .. 10 V.

X10 : 2 : Common

Avec le module d'extension : Entrée pour la haute pression venant du module d'extension (→X11 : 2)

- Caractéristiques techniques
 - Signal d'entrée : 0 .. 10 V ou 4 .. 20 mA
 - Courant d'entrée max. : < 25 mA (tension de courant)
 - Tension d'entrée max. : ± 24 V CC (signal de tension)
 - Impédance d'entrée :
 - Plage de tension : 22 kΩ
 - Plage de courant : 120 Ω

Sorties numériques

- Fonction
 - X12 : 4 : DO3 (Comp. 2)
 - Régulation externe : sans fonction.
 - Avec module d'extension : Démarrage du 2ième compresseur.
- Caractéristiques techniques
 - Signal de sortie 24 V CC (minimum 21 V CC)
 - Courant de sortie max. : 140 mA.
 - (Le courant total maximal disponible est de 140 mA et peut être atteint soit en une fois, soit en additionnant toutes les sorties numériques et l'alimentation + 24 V CC fournie par le client).

Sorties analogiques

- Fonction
 - X11 : 3 : AO1 (Fan)
 - Régulation externe : sans fonction.
 - Avec module d'extension : Asservissement du ventilateur de condenseur 0 .. 10 V.
 - X11 : 4 : AO2
 - Réserve.
- Caractéristiques techniques
 - Signal de sortie 0 .. 10 V.
 - Courant de sortie max. : 10 mA, avec protection contre les courts-circuits.
 - Impédance de sortie : Plage de tension ≥ 1 kΩ.

Relais

- Fonction
 - X14 : 1 : Relais 1A → X14 : 2 : Relais 1B
 - Compresseur prêt à fonctionner.
 - X14 : 3 : Relais 2A → X14 : 4 : Relais 2B
 - Compresseur en marche (réglage d'usine) ou aucune erreur configurable via la logique du paramètre de la sortie DO1.
- Caractéristiques techniques
 - Relais libre de potentiel.
 - Plage de courant de commutation : charge ohmique 1 mA à max. 3 A
 - Plage de tension de commutation : 5 V CA à max. 250 V CA ou 30 V CC
 - La protection contre les charges inductives ou capacitatives doit être fournie par des mesures externes.



Information

Les entrées STO doivent être activées pour permettre le démarrage du compresseur !

STO (circuit d'entrée)

- Fonction (voir chapitre Fonction (STO), page 107)
 - X10 : 1 : Entrée A et X10 : 3 : Entrée B.
 - Entrées STO (désactivation sûre du couple).
 - Les entrées doivent être activées en même temps.
 - X10 : 2 : Common et X10 : 4 : Common.
 - Les bornes sont reliées en interne. Un seul câble conducteur est donc nécessaire.
- Caractéristiques techniques
 - Courant d'entrée typique à 24 V : 9 mA
 - État :
 - Off (recommandé) : 0 .. 5 V CC
 - Non défini : 5 .. 21,6 V CC
 - On (recommandé) : 21,6 .. 26,4 V CC
 - Tension d'entrée max. : ± 30 V CC

État STO

- Fonction (voir chapitre Fonction (STO), page 107)
 - X10 : 5 état A → X10 : 6 : état B

Cette sortie est active (fermée) quand le circuit STO est en état sûr, c'est-à-dire quand le convertisseur de fréquences empêche le moteur de produire un couple.

- Caractéristiques techniques
 - Relais de semi-conducteur libre de potentiel.
 - Tension max. : ± 30 V.
 - Courant de sortie max. : 150 mA.
 - Protection contre les surintensités intégrée.
 - Résistance entre les bornes de sortie : $< 6 \Omega$.

5.4 Modes de service

Le convertisseur de fréquences VARIPACK peut fonctionner selon deux modes de service :

- Régulation de puissance du compresseur en fonction d'un signal de valeur de consigne externe (voir chapitre Régulation de puissance du compresseur en fonction d'un signal de valeur de consigne externe, page 103).
- Régulation de puissance du compresseur en fonction de la pression d'évaporation ; pour ce faire, le module d'extension optionnel pour la régulation de pression est nécessaire (voir chapitre Régulation de puissance du compresseur en fonction de la pression d'évaporation, page 104).

En plus de la régulation directe par la pression d'évaporation, il est possible de réguler le ventilateur du condenseur via un signal de sortie de 0 .. 10 V et de mettre en marche un deuxième compresseur.

5.4.1 Régulation de puissance du compresseur en fonction d'un signal de valeur de consigne externe

Caractéristique de commande « Min .. Max »

Les convertisseurs de fréquences VARIPACK peuvent être asservis sans modification des paramètres à l'aide d'une valeur de signal de 0 .. 10 V ou 4 .. 20 mA conformément à la caractéristique de commande « Min .. Max ».

- Si la caractéristique de commande « Min .. Max » est activée, le compresseur démarre lorsque la commande de démarrage DI1 (X13 : 2) est transmise. Le signal de la valeur de consigne commande la fréquence de façon linéaire entre les fréquences minimale et maximale du compresseur.
 - Si un signal 0 .. 10 V est utilisé, le raccorder à l'entrée AI2 (X11 : 2).
 - Si un signal 4 .. 20 mA est utilisé, le raccorder à l'entrée AI1 (X11 : 1).

Explication graphique de la caractéristique de commande « Min .. Max » voir figure 12, page 103.

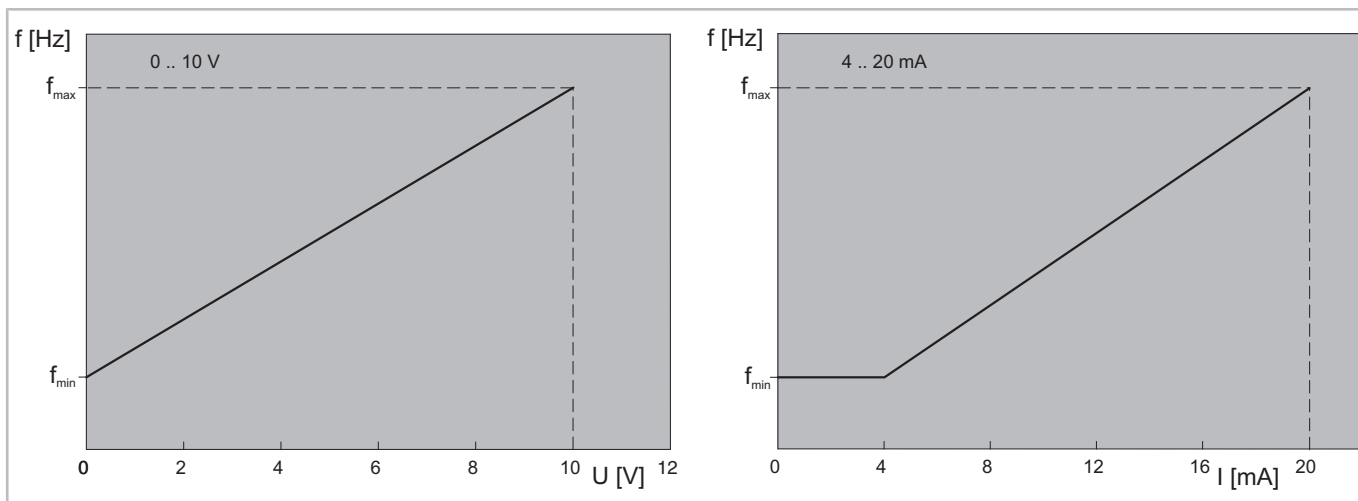


Fig. 12: Caractéristique de commande « Min .. Max »

Caractéristique de commande « 0 .. Max »

Une autre possibilité est de modifier les paramètres pour remplacer la caractéristique de commande « Min .. Max » par la caractéristique « 0 .. Max ».

- Pour que le compresseur démarre si la caractéristique de commande utilisée est « 0 .. Max », il est

nécessaire qu'un signal de la valeur de consigne $> 1\%$ (0,1 V) soit envoyé en plus de la commande de démarrage DI1 (X13 : 2) . Le signal de la valeur de consigne détermine la fréquence entre 0 Hz et la fréquence maximale. Si le signal est $> 1\%$ mais inférieur à la fréquence minimale du compresseur, ce dernier fonctionne à fréquence minimale.

Explication graphique de la caractéristique de commande « 0 .. Max » voir figure 13, page 104.

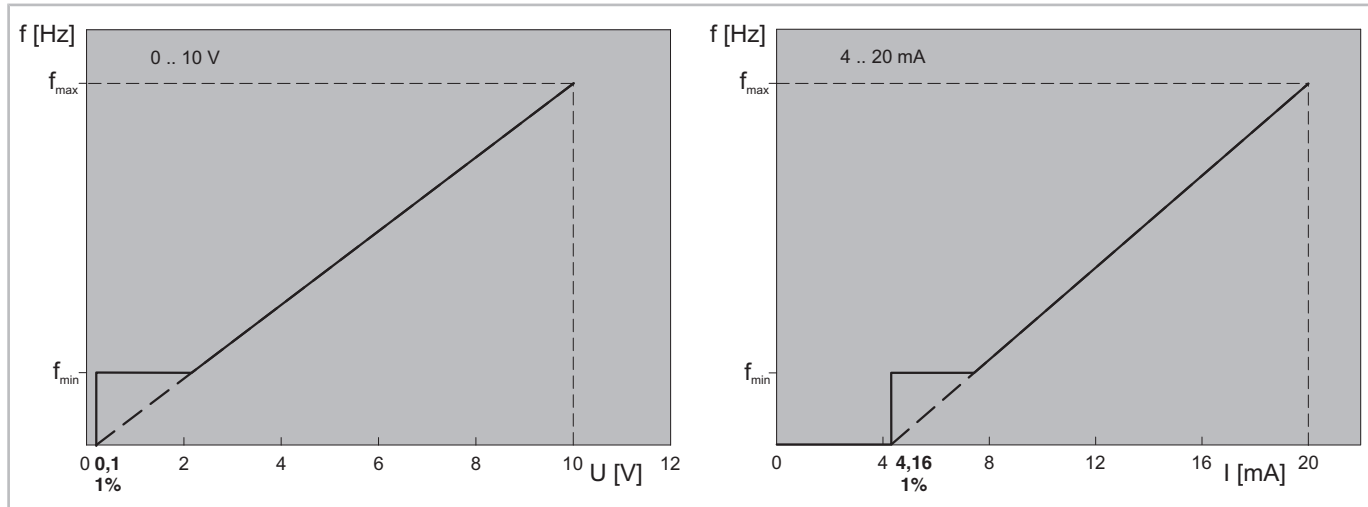


Fig. 13: Caractéristique de commande « 0 .. Max »

5.4.2 Régulation de puissance du compresseur en fonction de la pression d'évaporation

Pour réguler la puissance du compresseur en fonction de la pression d'évaporation, il faut utiliser le module d'extension optionnel de régulation de pression.

Monter le kit de montage pour module d'extension (numéro de pièce 347 972 01) :

- Placer le module d'extension sur le connecteur supérieur du module de contrôle du CF et le visser fermement.
- Transmetteur de pression ratiométrique
 - Installer le transmetteur de pression marqué « 2CP5-71-49 » sur le côté basse pression.
 - Installer le transmetteur de pression marqué « 2CP5-71-47 » sur le côté haute pression.
 - Si des vannes Schrader sont présentes, installer le transmetteur de pression sans son joint d'étanchéité en cuivre pour assurer une ouverture sécurisée.

Pour le câblage du module d'extension, voir chapitre Schémas de principe pour les compresseurs à piston hermétiques accessibles, page 109.

Fonctionnement et caractéristiques techniques du module d'extension

- X1 : 1, 2 et 3
 - Entrée pour le transmetteur basse pression ratiométrique.
 - Un fonctionnement correct est signalé par une LED bleue.
- X1 : 4, 5 et 6
 - Entrée pour le transmetteur haute pression ratiométrique.
 - Un fonctionnement correct est signalé par une LED rouge.
- X2 : 1
 - Sortie analogique pour la transmission de la valeur de basse pression au CF (X11 : 1 : AI1).
- X2 : 2
 - Sortie analogique pour la transmission de la valeur de haute pression au CF (X11 : 2 : AI2).
- X3 : 1
 - Entrée pour l'alimentation en tension 24 V CC venant du CF (X12 : 5).
- X3 : 2, 3, 4, 5 et 6
 - Sorties 24 V CC.
 - Permettent un câblage facile des entrées numériques du convertisseur de fréquences.

- X4 : 4
 - Sortie numérique pour une détection automatique du module d'extension par le convertisseur de fréquences (X12 : 3 : DI6).
- X4 : 5
 - Entrée numérique pour la réception de la commande de démarrage pour le 2nd compresseur du convertisseur de fréquences (X12 : 4 : DO3).
 - Commute le relais X5.
- X5 : 1 et 2
 - Relais libre de potentiel pour le démarrage du 2ème compresseur.
 - Tension max. : 250 V CA.
 - La protection contre les charges inductives ou capacitatives doit être fournie par des mesures externes.
 - Courant max. : 6 A de charge ohmique.

5.5 Compatibilité électromagnétique (CEM)

Vue d'ensemble voir figure 14, page 106.

Les convertisseurs de fréquences VARIPACK satisfont aux directives CE-CEM (compatibilité électromagnétique) 2014/30/UE et 2004/108/CE.

Immunité aux signaux parasites :

- EN61000-6-1:2007, Immunité pour les environnements résidentiels, commerciaux et de l'industrie légère.
- EN61000-6-2:2005, Immunité pour les environnements industriels.

L'émission des convertisseurs de fréquence est réglée selon la norme produit EN61800-3, qui distingue entre les catégories C1 à C4. Comparée aux normes spécialisées de base, la catégorie C2 conformément à la norme EN61800-3:2004 correspond à la norme EN61000-6-4:2007+A1:2011. La catégorie C3 n'est pas transmissible. La section suivante se limite à la description des catégories C.

Exigences CEM générales pour satisfaire à la catégorie C2 :

- Utilisation d'un câble blindé entre le CF et le moteur (câble moteur), voir figure 11, page 101.
 - Poser le blindage des deux côtés.
 - Utiliser une boîte de raccordement de compresseur en métal et un passe-câble à vis CEM.

- Passer le blindage dans l'armoire électrique jusqu'au VARIPACK et le poser sur le porte-câbles du VARIPACK.

- Le câble moteur
 - ne doit pas croiser d'autres câbles. En cas de croisement, toujours croiser les câbles avec un angle de 90° !
 - devrait être posé autant que possible séparément du câble d'alimentation et des câbles de commande. Si une pose en parallèle est inévitable, conserver un espace d'au moins 0,25 m.

Informations détaillées relatives aux ondes harmoniques voir chapitre Analyse des ondes harmoniques FDU+6 .. FKU+260, page 106.



AVERTISSEMENT

Des interférences CEM à fréquence élevée sont à attendre sur le réseau !

FDU+6 .. FEU+16 sont classés comme des dispositifs à usage professionnel selon la norme EN61000-3-2:2014.

Avant tout raccordement au réseau public d'alimentation basse tension, il faut obtenir une autorisation de l'entreprise fournisseur en énergie.



Information

FEU+24 - FKU+260 satisfont à toutes les exigences de la norme EN61000-3-12:2011 (voir figure 14, page 106).

FDU+6 .. FJU+145 :

- sont en standard équipés d'un filtre CEM pour catégorie C2.
 - Pour certains types, cependant, il est nécessaire d'utiliser une armoire électrique en métal dotée d'un amortissement pour éviter de dépasser les valeurs limites pour les défauts liés au rayonnement (voir figure 14, page 106)

Si les exigences CEM satisfaites suffisent pour atteindre la catégorie C3, la longueur de câble maximale admissible entre le CF et le moteur est de 50 m. Dans ce cas-là, il n'est pas nécessaire d'utiliser une armoire électrique spécifique.



AVERTISSEMENT

Des perturbations radioélectriques dans le réseau électrique sont possibles !

En environnement résidentiel, des interférences de radiofréquence peuvent se produire, rendant l'antiparasitage nécessaire.

FKU+180 .. FKU+260 :

- sont équipés d'un filtre CEM pour catégorie C3. Pour satisfaire à la catégorie C2, il est nécessaire qu'un filtre CEM externe, numéro d'article 347 955 02, désignation 3359-250-28, soit situé à l'entrée du convertisseur de fréquences.



AVERTISSEMENT

Sans utilisation d'un filtre CEM externe, les défauts CEM sur le réseau de tension sont extrêmement fréquents !

Cette constellation d'entraînement n'est pas conçue pour fonctionner dans un réseau basse tension public qui alimente des zones d'habitation.

	FU	FDU	FEU	FGU	FHU	FJU	FKU
	EN61800-3						
Émissions parasites par les câbles	Catégorie C1	Filtre spécifique sur demande	Filtre spécifique sur demande	Filtre spécifique sur demande	Non adapté	Non adapté	Non adapté
	Catégorie C2	Câble du moteur ≤ 10 m	Câble du moteur ≤ 10 m	Câble du moteur ≤ 10 m	Câble du moteur ≤ 10 m	Câble du moteur ≤ 10 m	Filtre spécifique (3359-250-28)
	Catégorie C3	Câble du moteur ≤ 50 m	Câble du moteur ≤ 50 m	Câble du moteur ≤ 50 m	Câble du moteur ≤ 50 m	Câble du moteur ≤ 50 m	Câble du moteur < 50 m
Émissions rayonnées	Monter dans une armoire électrique en métal avec atténuations appropriés						
	Catégorie C1	35-100 MHz à 15 dB	35-100 MHz à 5 dB	30-150 MHz à 20 dB	N'est pas applicable	N'est pas applicable	N'est pas applicable
	Catégorie C2	35-100 MHz à 5dB	Une armoire électrique spéciale n'est pas nécessaire	30-150 MHz à 10 dB	30-1000 MHz à 10 dB	30-1000 MHz à 10 dB	30-1000 MHz à 10 dB
	Catégorie C3	Une armoire électrique spéciale n'est pas nécessaire	Une armoire électrique spéciale n'est pas nécessaire	Une armoire électrique spéciale n'est pas nécessaire	Une armoire électrique spéciale n'est pas nécessaire	Une armoire électrique spéciale n'est pas nécessaire	Une armoire électrique spéciale n'est pas nécessaire

Fig. 14: Aperçu des exigences permettant au convertisseur de fréquences VARIPACK de satisfaire aux diverses catégories CEM

5.5.1 Analyse des ondes harmoniques FDU+6 .. FKU+260

Frequency inverter type	Motor Power (kW)	Typical Motor Efficiency %													Total RMS Current (A)	THD (I) %
			Harmonic No.	1	3	5	7	9	11	13	15	17	19	21		
FDU+6	2.2	83	RMS Current (A)	3.946	0.000	2.376	1.636	0.000	0.327	0.354	0.0	0.190	0.167	0.000	4.92	59.8
			Harmonic No.	23	25	27	29	31	33	35	37	39	40			
			RMS Current (A)	0.130	0.107	0.000	0.097	0.079	0.000	0.076	0.063	0.000	0.000			
FDU+12	5.5	83	RMS Current (A)	9.694	0.001	3.313	1.745	0.000	0.814	0.558	0.000	0.472	0.349	0.000	10.47	37.8
			Harmonic No.	1	3	5	7	9	11	13	15	17	19	21		
			RMS Current (A)	0.320	0.253	0.000	0.233	0.193	0.000	0.176	0.151	0.000	0.000			
FEU+16	7.5	83	RMS Current (A)	12.801	0.002	5.284	3.010	0.000	1.065	0.769	0.000	0.604	0.433	0.000	14.27	44.2
			Harmonic No.	1	3	5	7	9	11	13	15	17	19	21		
			RMS Current (A)	0.406	0.306	0.000	0.295	0.234	0.000	0.224	0.185	0.000	0.000			

Fig. 15: Tableau d'analyse des ondes harmoniques FDU+6 .. FEU+16

FDU+6 .. FEU+16 sont classés comme des dispositifs à usage professionnel selon la norme EN61000-3-2.

Frequency inverter type	FEU+24	FGU+32	FGU+38	FHU+45	FHU+60	FHU+73	FJU+87	FJU+105	FJU+145	FKU+180	FKU+205	FKU+260
Motor Power (kW)	11	15	18.5	22	30	37	45	55	75	90	110	132
Typical Motor Efficiency %	86	86	86	90	90	90	90	90	90	92	92	92
Harmonic No.	RMS Current (A)											
1	18.703	25.833	30.954	36.282	49.540	60.995	74.18	90.65	123.60	145	180.9	217.0
3	0.002	0.006	0.005	0.003	0.001	0.005	0.00	0.00	0.00	0.0	0.0	0.0
5	6.467	9.512	10.517	12.848	18.710	20.966	26.01	31.14	42.31	51.0	59.5	70.4
7	3.425	5.147	5.527	6.908	10.274	11.144	13.92	16.54	22.41	27.1	26.4	29.7
9	0.000	0.001	0.000	0.000	0.000	0.001	0.00	0.00	0.00	0.0	0.0	0.0
11	1.571	2.177	2.618	3.072	4.174	5.167	6.28	7.68	10.47	12.2	14.8	17.5
13	1.078	1.494	1.781	2.108	2.893	3.533	4.30	5.25	7.16	8.4	8.9	10.2
15	0.000	0.001	0.000	0.000	0.000	0.000	0.00	0.00	0.00	0.0	0.0	0.0
17	0.909	1.244	1.513	1.769	2.382	2.987	3.62	4.44	6.05	7.0	8.0	9.3
19	0.669	0.896	1.110	1.288	1.712	2.188	2.64	3.25	4.44	5.1	5.5	6.4
21	0.000	0.000	0.000	0.000	0.000	0.000	0.00	0.00	0.00	0.0	0.0	0.0
23	0.616	0.838	1.024	1.196	1.604	2.020	2.45	3.01	4.10	4.8	5.1	5.8
25	0.484	0.644	0.803	0.930	1.225	1.583	1.91	2.35	3.21	3.7	3.9	4.4
27	0.000	0.000	0.000	0.001	0.000	0.000	0.00	0.00	0.00	0.0	0.0	0.0
29	0.448	0.608	0.743	0.869	1.162	1.468	1.78	2.18	2.98	3.5	3.4	3.8
31	0.370	0.493	0.613	0.712	0.940	1.211	1.46	1.80	2.46	2.8	2.8	3.1
33	0.000	0.000	0.000	0.001	0.001	0.001	0.00	0.00	0.00	0.0	0.0	0.0
35	0.338	0.459	0.560	0.657	0.882	1.110	1.34	1.65	2.25	2.6	2.4	2.5
37	0.290	0.388	0.480	0.557	0.739	0.946	1.14	1.41	1.92	2.2	2.1	2.2
39	0.000	0.000	0.000	0.001	0.001	0.001	0.00	0.00	0.00	0.0	0.0	0.0
40	0.000	0.000	0.000	0.000	0.000	0.000	0.00	0.00	0.00	0.0	0.0	0.0
Total RMS Current (A)	20.24	28.21	33.41	39.47	54.33	65.95	80.43	98.00	133.56	157.5	193.4	231.4
* THD (I) %	38.2	40.2	37.6	45.7	47.4	43.2	41.9	41.1	40.9	41.9	37.9	37.1

Fig. 16: Tableau d'analyse des ondes harmoniques FEU+24 .. FKU+260

Présupposés : Rsce = 120 à 400 V

FEU+24 - FKU+260 satisfont à toutes les exigences de la norme EN61000-3-12:2011 (voir figure 14, page 106).

5.6 Fonction (STO)

Les convertisseurs de fréquences VARIPACK sont équipés en version standard d'une fonction d'arrêt certifiée et à la sécurité contrôlée, la désactivation sûre du couple (STO).

- Cette fonction peut également être utilisée comme dispositif de mise hors tension pour prévenir une mise en marche intempestive selon EN60204-1, 5.4. Lors de son activation, cette fonction STO veille à ce qu'aucune énergie motrice ne soit transmise au moteur. Elle met le moteur du compresseur dans l'état hors moment de force, mais pas dans l'état sans tension. Cette fonction a été vérifiée en usine.
- La fonction STO est active quand le circuit STO est ouvert ou quand moins de 21,6 V sont appliqués. Dans ce cas, elle annule toute commande de démarrage du compresseur, même les commandes de démarrage pouvant être déclenchées au niveau interne par une défaillance de micrologiciel. Le matériel du circuit de commande STO se compose de deux canaux redondants conçus de manière à empêcher de

manière sûre un fonctionnement involontaire du CF en cas de panne interne de l'un des deux canaux. Le matériel satisfait aux exigences élevées relatives à la sécurité fonctionnelle. En raison de la classification comme mode à forte sollicitation, son bon fonctionnement doit être vérifié une fois par an.

- La fonction STO permet de se passer du contacteur principal en amont ou en aval du VARIPACK. Désormais, il n'est plus nécessaire d'utiliser de contacteur principal pour arrêter directement le compresseur, puisque celui-ci peut être arrêté via la fonction STO, activée par le pressostat haute pression ou d'autres fonctions de sécurité de l'installation frigorifique.



DANGER

Risque de choc électrique !



La fonction STO n'est pas une fonction de séparation galvanique de l'alimentation en tension et ne doit donc pas être utilisée pour les travaux de maintenance ou de réparation !

Elle n'est qu'une fonction de protection électronique à utiliser dans le cadre du fonctionnement normal du convertisseur de fréquences VARIPACK.

Avant tout travail de maintenance ou de réparation, couper entièrement le convertisseur de fréquences VARIPACK de l'alimentation électrique à l'aide d'un dispositif de coupure adéquat et contrôler que tous les raccordements de tension sont bien isolés !

Mettre l'interrupteur principal hors circuit et le sécuriser contre toute remise en marche.

Attendre au moins 5 minutes jusqu'à ce que tous les condensateurs soient déchargés !



Information

La fonction STO est une fonction intégrée et testée en usine

Les travaux de réparation sur les convertisseur de fréquences VARIPACK dotés de la fonction STO ne doivent être exécutés que par un personnel autorisé.

Toute tentative non autorisée de réparer ou de démonter le convertisseur de fréquences VARIPACK rend la garantie nulle et non avenue et peut compromettre la fonction STO.

Quand le convertisseur de fréquences VARIPACK détecte une défaillance interne de la fonction STO, cette défaillance doit être immédiatement corrigée !



AVIS

Les points de basculement définis ne sont plus garantis si les conduites sont trop longues ou si la pose est mal effectuée.

Longueurs de conduite maximales pour les bornes X10/01, X10/03, X10/05 et X10/06 : 25 m !

- Pour les exigences de sécurité élevées, deux canaux de commande STO indépendants doivent être intégrés au matériel. Le circuit STO est conçu de façon à ce que, en cas de défaillance dans un canal, le second canal garantisse qu'aucun fonctionnement involontaire du convertisseur de fréquences VARIPACK ne survienne.
- La fonction STO activée prend le pas sur toutes les tentatives de démarrage du compresseur. Si la fonction STO est commutée via l'une des deux entrées de commande STO voire les deux, le compresseur

ne démarre donc pas. Cela vaut également si une défaillance logicielle interne génère une tentative de démarrage.

Spécifications de sécurité :

Conformément aux normes EN ISO13849-1 et EN61800-5-2, les convertisseurs de fréquences VARIPACK affichent les valeurs de sécurité suivantes :

Niveau de sécurité atteint par les convertisseurs de fréquences ①		
SIL	niveau d'intégrité de sécurité	SIL3
PL	niveau de performance (Performance Level)	PLe
Valeurs de sécurité sous-jacentes ②		
PFH	probabilité moyenne de la survenue d'une défaillance dangereuse par heure	$2,3 \times 10^{-9}$
MTTF _d	temps moyen avant la défaillance dangereuse	100 ans ③
DC	taux de couverture de diagnostic	98,6% → haut
SFF	pourcentage total des défaillances sûres	99% → moyen
T _M	durée de mission	20 ans

Tab. 4: Valeurs de sécurité VARIPACK selon les normes EN ISO12849-1 et EN61800-5-2

① : Les niveaux de sécurité indiqués et les valeurs de sécurité sous-jacentes valent pour le convertisseur de fréquences VARIPACK si les deux entrées STO sont commutées indépendamment l'une de l'autre. En fonction de l'intégration dans l'installation, le niveau de sécurité de l'installation complète est susceptible d'être inférieur et doit être calculé par le constructeur de l'installation.

② : Les valeurs sous-jacentes permettant la détermination du niveau de sécurité sont listées pour permettre de calculer le niveau de sécurité de l'installation complète.

③ : La norme EN ISO13849 limite la valeur MTTF_d à 100 ans.

Contrôle de bon fonctionnement de la fonction STO

Lors de la mise en service et selon un intervalle à déterminer par le constructeur d'installations sur la base d'une évaluation des risques, le bon fonctionnement de tous les dispositifs de sécurité et de l'ensemble des fonctions de la chaîne de sécurité complète doit être contrôlé. Sur la base des schémas de principe (voir chapitre Modes de service, page 103), la fonction STO

et l'intégration côté installation sont contrôlés de la façon suivante :

- Mettre le compresseur en service.
- Déclencher le pressostat haute pression (F5).
 - Le compresseur doit s'arrêter aussitôt et le convertisseur de fréquences doit émettre un signal de défaut STO.
- Refermer le pressostat haute pression ou la chaîne de sécurité.
 - Le défaut STO est déverrouillé et le compresseur se remet en marche après le retard de temps prédéfini.

5.7 Schémas de principe

Raccorder le convertisseur de fréquences VARIPACK conformément aux schémas de principe. Monter les commutateurs de commande S1 à S3 dans l'armoire électrique.

Raccordement individuel du moteur du compresseur en fonction de la variante et du dimensionnement du moteur. Pour plus de détails sur le raccordement moteur, voir les données sur la face interne de la boîte de raccordement du compresseur.

Les schémas de principe intègrent un contrôle d'huile optionnel. Sans un tel dispositif de contrôle, l'élément Delta-PII ou OLC-K1 et les composants S3 et H2 sont supprimés. Dans ce cas, le relais auxiliaire K11 et les pressostats F5 et F6 doivent être intégrés sur le chemin 15 au raccord 14 du SE-B1.

Contrairement aux niveaux de sécurité que les convertisseurs de fréquences VARIPACK atteignent (PLe, SIL3), l'intégration côté installation représentée dans les schémas de principe atteint au maximum un niveau de sécurité de PLd, SIL2. Les niveaux de sécurité effectifs valables pour l'installation complète ne peuvent être calculés que par le constructeur d'installations ! En général, le niveau de sécurité représenté dans les schémas de principe, qui peut donc être atteint, suffit pour les installations frigorifiques. Pour comparaison : une commutation par contacteur telle qu'elle est généralement utilisée, sans utilisation de deux contacteurs en série avec surveillance mutuelle, permet au maximum d'atteindre le niveau de sécurité PLc/SIL2. Le niveau de sécurité nécessaire doit être défini par le constructeur d'installations sur la base d'une évaluation des risques. Pour de plus amples informations voir chapitre Fonction (STO), page 107.

5.7.1 Schémas de principe pour les compresseurs à piston hermétiques accessibles

Abr.	Composant
B1	Régulateur supérieur ou commande pour le démarrage du compresseur (signal d'autorisation du régulateur d'installation) ou régulateur on/off
F1	Fusible principal
F2	Fusible de compresseur
F3	Fusible du circuit de commande
F12	Fusible de sécurité du réchauffeur d'huile
F17	Fusible du transformateur de commande
H1	Lampe de signalisation « Surchauffe » (moteur et gaz de refoulement)
H2	Lampe de signalisation « Défaut alimentation d'huile »
H6	Lampe de signalisation « Prêt à fonctionner »
K10	Relais auxiliaire « Compresseur en marche »
K11	Relais auxiliaire « Déblocage du compresseur »
M1	Compresseur
M2	Ventilateur
N1	Convertisseur de fréquences (CF) VARIPACK
Q1	Interrupteur principal
R1.6	Sonde CTP dans le bobinage moteur
R7	Sonde de température du gaz de refoulement (option)
R8	Réchauffeur d'huile (option)
S1	Commutateur de commande marche/arrêt
S2	Déverrouillage « Surchauffe » (moteur / gaz de refoulement)
S3	Déverrouillage « Défaut alimentation d'huile »
T1	Transformateur de commande (exemple pour 230 V)
Y2	Vanne magnétique « Conduite de liquide »

Tab. 5: Légende relative aux schémas de principe VARIPACK avec compresseur à piston hermétique accessible

SE-B1 : Dispositif de protection.

Delta-PII ou OLC-K1 : Dispositif de contrôle d'huile (option).

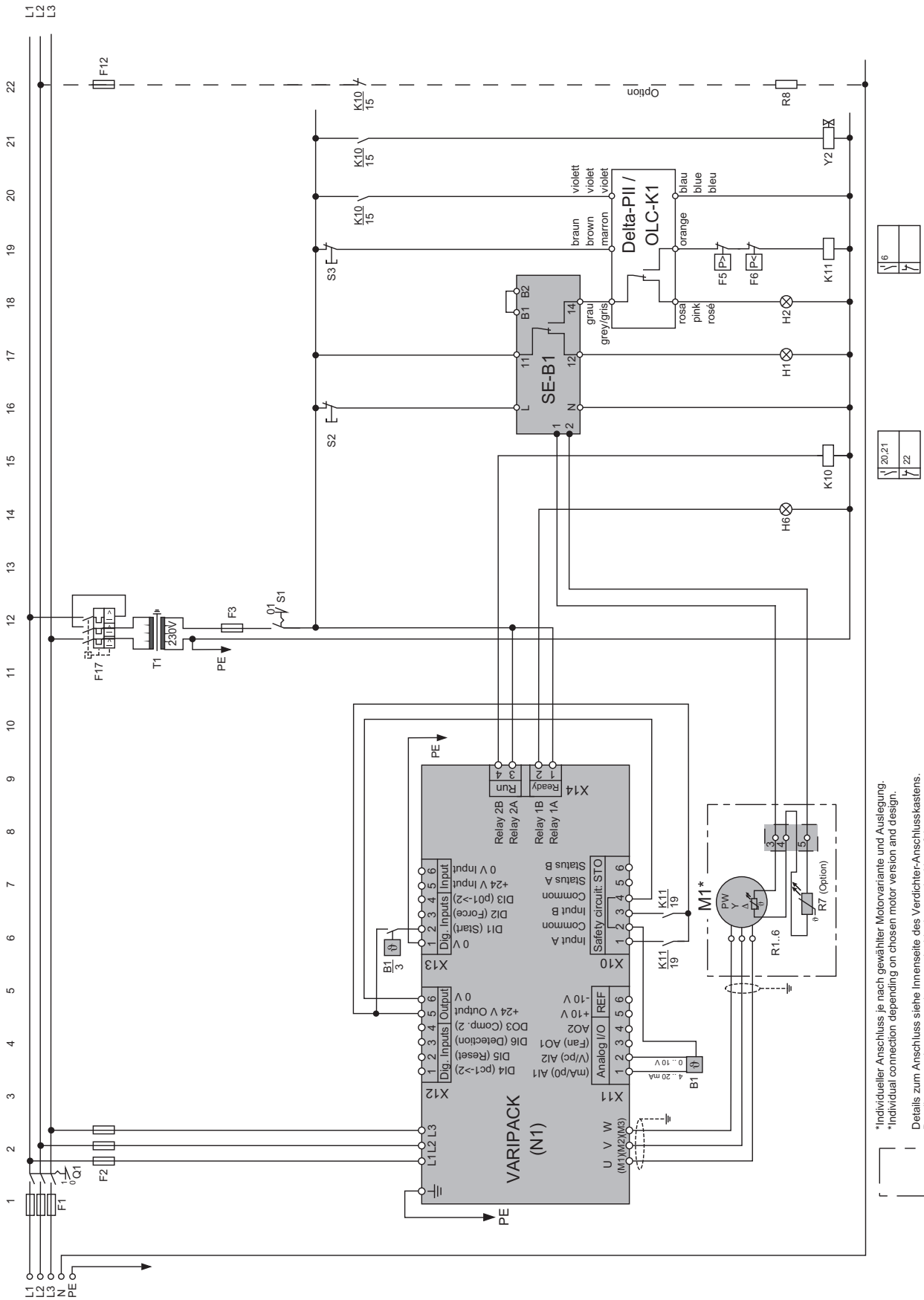


Fig. 17: Schéma de principe du compresseur à piston sans module d'extension.

*individueller Anschluss je nach gewählter Motorvariante und Auslegung.
 *Individual connection depending on chosen motor version and design.
 Details zum Anschluss siehe Innenseite des Verdichter-Anschlusskastens.
 Details concerning connections see inside the terminal box of the compressor.

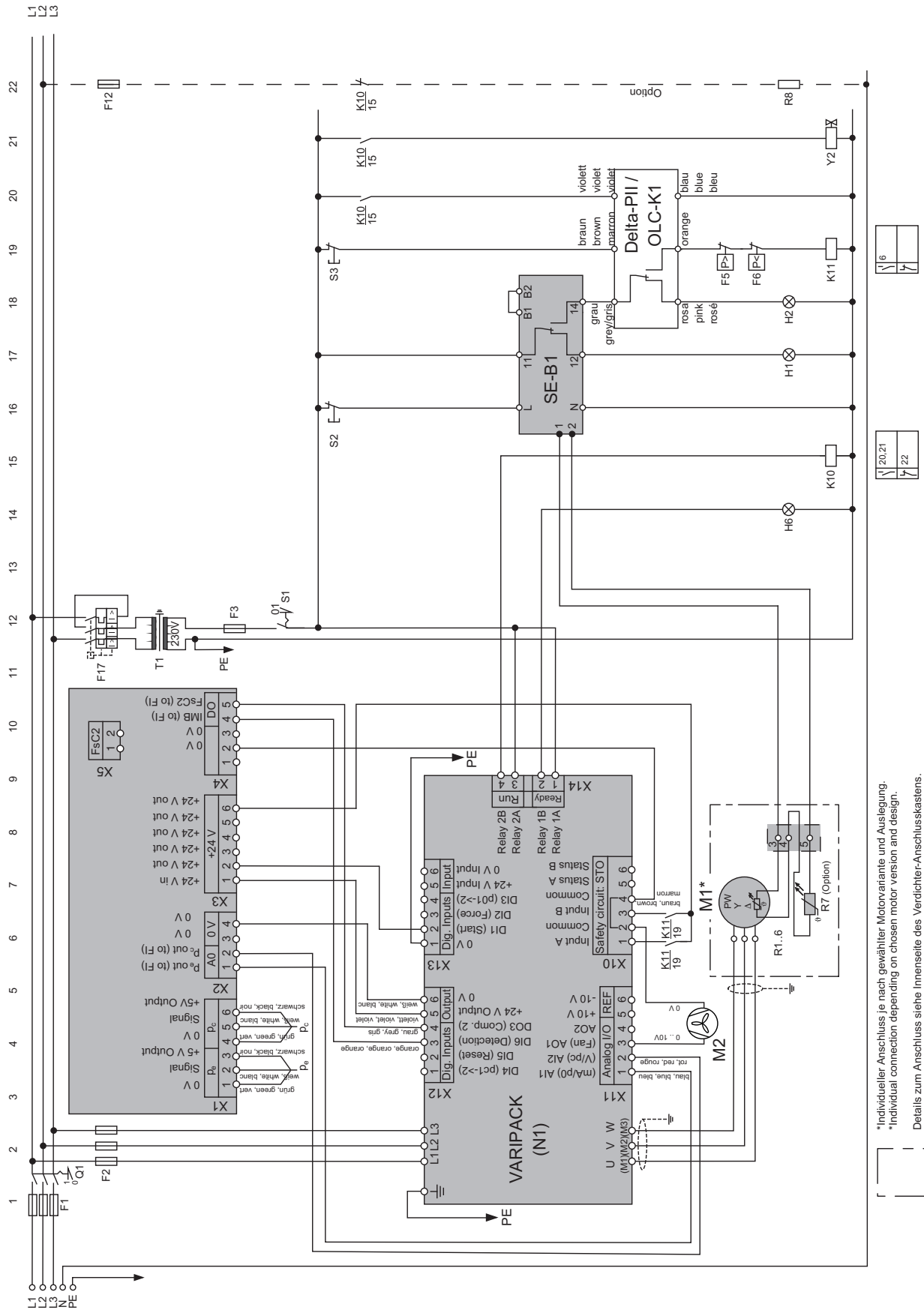


Fig. 18: Schéma de principe du compresseur à piston avec module d'extension.

*Individual Anschluss je nach gewählter Motorvariante und Auslegung.
 *Individual connection depending on chosen motor version and design.
 Details zum Anschluss siehe Innenseite des Verdichter-Anschlusskastens.
 Details concerning connections see inside the terminal box of the compressor.

5.7.2 Schéma de principe pour les compresseurs à vis hermétiques accessibles

Abr.	Composant
B1	Thermostat d'huile
B2	Régulateur supérieur
B6	Transmetteur de haute pression
B7	Transmetteur de basse pression
F1	Fusible principal
F2	Fusible de compresseur
F3	Fusible du circuit de commande
F4	Fusible de sécurité du réchauffeur d'huile
F5	Pressostat haute pression
F6	Pressostat basse pression
F7	Contrôleur de débit d'huile
F9	Contrôle de la vanne de retenue d'huile
F10	Contrôle du filtre à huile
F12	Unité de commande ECO ; pressostat (ECO) (ATEX)
F17	Fusible du transformateur de commande
F21	Fusible de l'élément de chauffage dans la boîte de raccordement
H1	Luminaire « Défaut de moteur »
H4	Luminaire « Défaut de niveau d'huile »
H5	Luminaire « Défaut de la vanne de retenue d'huile »
H11	Luminaire « prêt à fonctionner »
K4	Contacteur auxiliaire
K10	Relais auxiliaire « Démarrage du compresseur »
K11	Relais auxiliaire « Déblocage du compresseur »
K4T	Relais temporisé « Surveillance de niveau d'huile 120 s »
M1	Moteur du compresseur
N1	Convertisseur de fréquences (CF)
Q1	Interrupteur principal
R1	Réchauffeur d'huile
R2	Sonde de température pour gaz de refoulement
R9	Élément de chauffage pour boîte de raccordement
R10	Sonde de température en option
S1	Commutateur de commande marche/arrêt
S2	Réarmement « moteur & temp. gaz refoulement, sens de rotation du moteur, débit d'huile » et pour HS.85 : Réarmement "moteur

Abr.	Composant
	& temp. gaz refoulement, sens de rotation du moteur, alimentation d'huile »
S4	Réarmement « Chambre du filtre à huile » (HS.85)
T1	Transformateur de commande (exemple pour 230 V, nécessaire selon EN60204-1)
Y1	Vanne magnétique « Injection d'huile »
Y2	Vanne magnétique « Conduite de liquide »
Y3	Vanne magnétique « Bypass d'arrêt »
Y4	Vanne magnétique « Régulateur de puissance CR1 »
Y5	Vanne magnétique « Régulateur de puissance CR2 »
Y6	Vanne magnétique « Régulateur de puissance CR3 »
Y7	Vanne magnétique « Régulateur de puissance CR4 »
Y8	Vanne magnétique « ECO » (en cas de besoin)

Tab. 6: Légende relative aux schémas de principe compresseurs HS. avec VARIPACK

SE-B* : Dispositif de protection du compresseur (en option)

OLC-D1 : Dispositif de contrôle d'huile

SE-i1 : Dispositif de contrôle et de protection

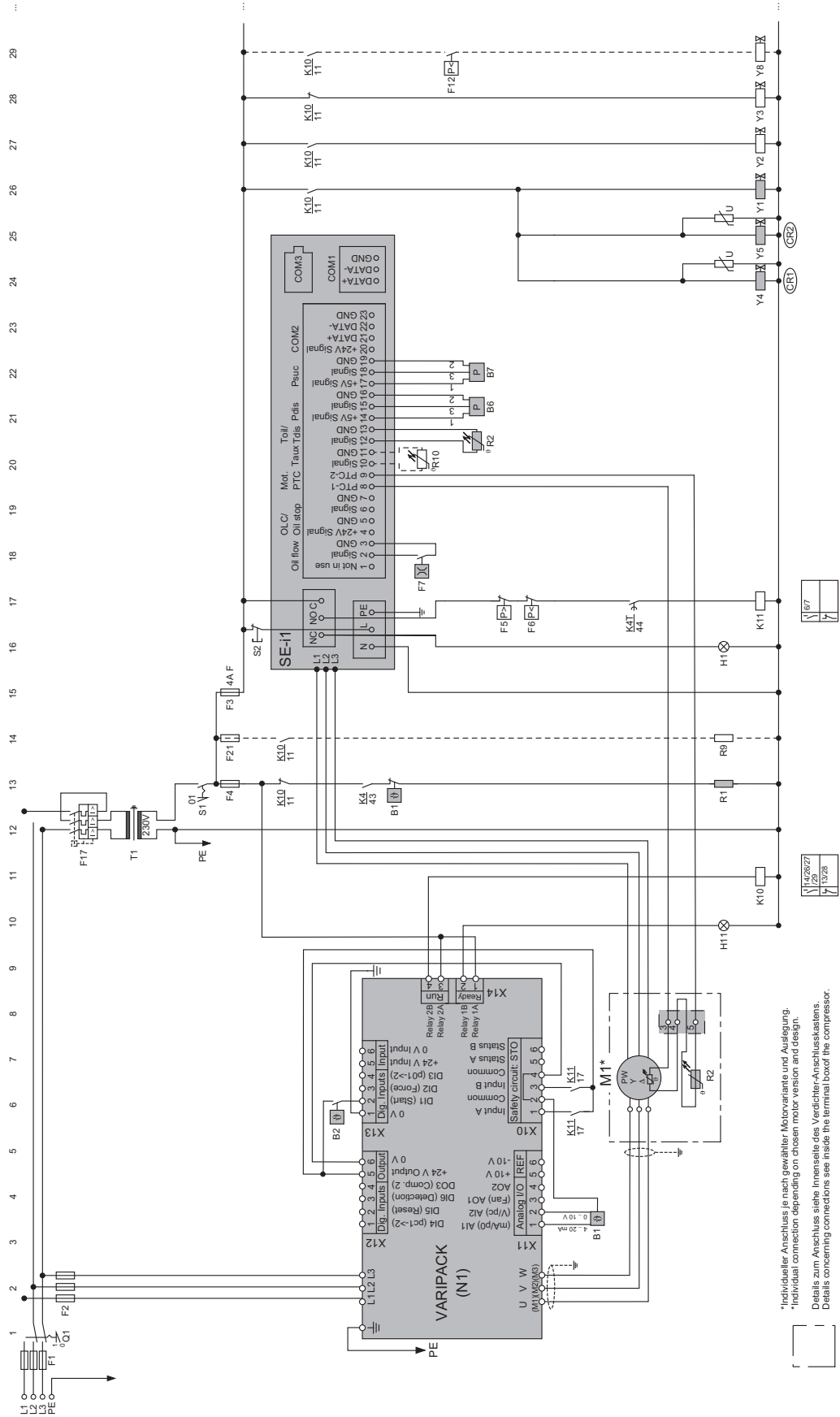


Fig. 19: Schéma de principe compresseurs HS.53 .. HS.74, partie 1

44
43
42
41
..

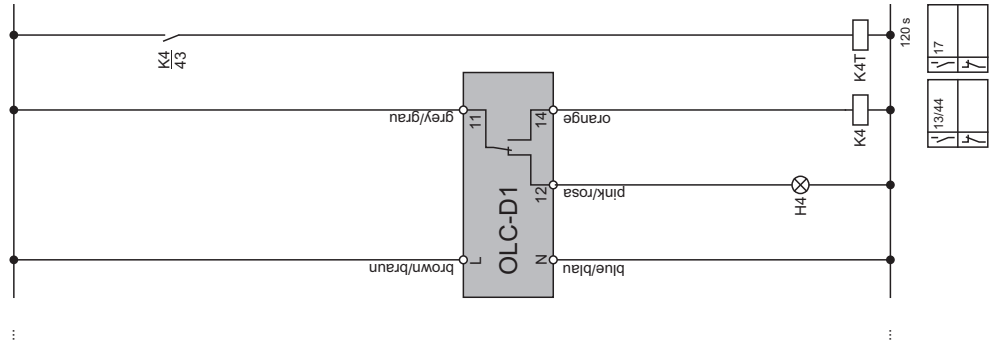
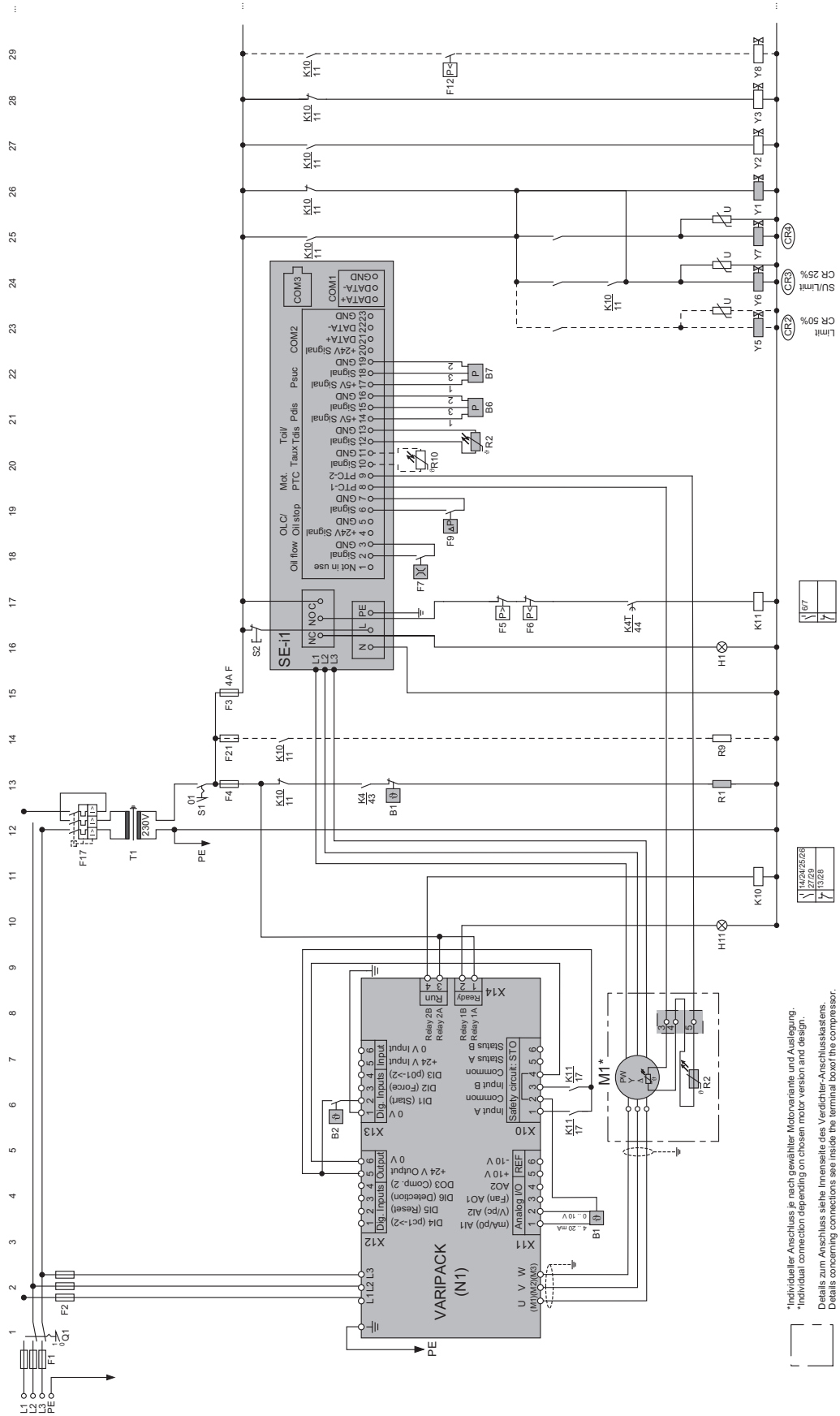


Fig. 20: Schéma de principe compresseurs HS.53 .. HS.74, partie 2



*Individual Anschluss je nach gewählter Motorvariante und Auslegung.
 *Individual connection depending on chosen motor version and design.
 Details zum Anschluss siehe Innenseite des Verdichter-Anschlusskastens.
 Details concerning connections see inside the terminal box of the compressor.

Fig. 21: Schéma de principe compresseur HS.85, partie 1

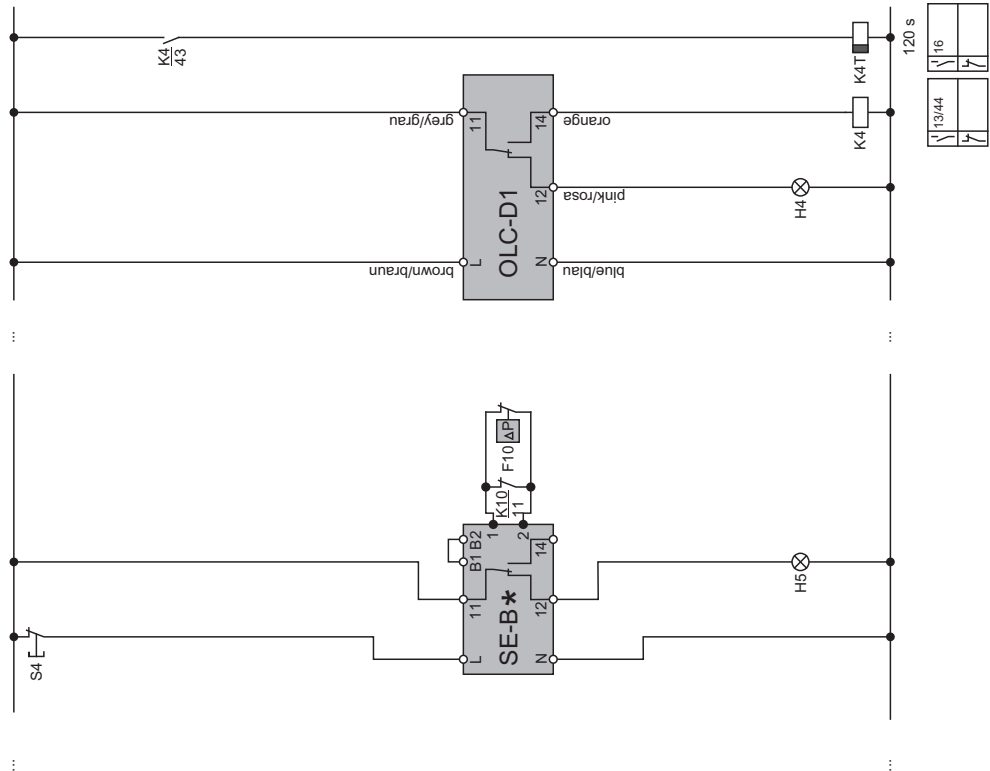


Fig. 22: Schéma de principe compresseur HS.85, partie 2

6 Fonctions de commande et de régulation

Explications graphiques des fonctions de commande et de régulation décrites ci-après voir figure 23, page 118.

Démarrage du compresseur et STO

Pour que le compresseur puisse démarrer, il doit être débloqué (entrée STO fermée), la commande de démarrage doit être active (DI1 fermé) et la « Temporisation de démarrage à démarrage » et la « Temporisation d'arrêt à démarrage » (10 s) du compresseur doivent être terminées.

En cas de régulation au moyen d'un signal de valeur de consigne externe et d'une caractéristique de commande « 0 .. Max », il faut en outre que la valeur de consigne active soit > 1%.

Dès que la commande de démarrage (DI1) est annulée, le compresseur est mis à l'arrêt via les rampes.

Par contre, si le déblocage (STO) est supprimé, il est directement mis à l'arrêt.

« Rampes »

Pour optimiser le comportement du fonctionnement, les rampes du compresseur sont réglables. En cas de système à réaction lente comme les systèmes de refroidis-

seurs liquides ou encore les installations frigorifiques avec évaporateur, il est recommandé de sélectionner des temps de rampe suffisamment lents, tandis que pour des centrales frigorifiques, des rampes rapides peuvent être nécessaires. En dehors de la limitation de la consigne externe, ces rampes définissent le changement de fréquence pour la fonction « Force ».

En standard, ce sont les rampes les plus courtes qui ont été définies pour les compresseurs correspondants. Pour le démarrage et l'arrêt du compresseur, en dessous de la fréquence minimale, les rampes optimales sont fixées dans le convertisseur de fréquences VARIPACK et garantissent un démarrage sûr et fiable du compresseur.

« Temporisation de démarrage à démarrage » (temps d'attente entre deux démarrages du compresseur)

Le démarrage du compresseur par un convertisseur de fréquences VARIPACK diminue la charge mécanique et l'échauffement du moteur par rapport à un démarrage direct. Plusieurs démarrages du compresseur par heure sont ainsi admissibles. Un nombre excessif de démarrages de compresseurs devrait être, cependant, évité.

La « Temporisation démarrage à démarrage » limite le nombre maximal de démarrages du compresseur. Si le temps défini n'est pas encore écoulé depuis le dernier démarrage du compresseur, le démarrage de ce dernier est reporté. Si le compresseur a fonctionné plus longtemps que la « temporisation démarrage à démarrage », il peut être redémarré directement après l'arrêt. En standard, le compresseur est réglé avec la « temporisation démarrage à démarrage » minimale recommandée. Celle-ci peut être augmentée à volonté pour améliorer le comportement de fonctionnement de l'installation et accroître l'efficacité du système en évitant les très courts cycles de fonctionnement. Si nécessaire, il est également possible de configurer des valeurs plus courtes que celles recommandées et pré-réglées.

Relais « Compresseur en fonctionnement » (DO2)

Le relais « Compresseur en fonctionnement » affiche la condition de fonctionnement du compresseur. Il est par exemple possible de l'utiliser pour mettre hors circuit le réchauffeur d'huile ou mettre en circuit le ventilateur additionnel ou encore comme signal pour le détendeur électronique. Le relais se met en circuit en cas de démarrage du compresseur réussi et après que la fréquence minimale a été atteinte et se met hors circuit en cas de passage sous la fréquence minimale.

« Temps d'arrêt après démarrage à fréquence minimale (Hold) »

Pour des installations équipées d'un seul compresseur et d'une régulation thermostatique, il peut se produire des épisodes où la basse pression chute de façon significative après le démarrage du compresseur. La raison en est que le compresseur a démarré trop rapidement de sorte que le détendeur n'est pas parvenu à réagir suffisamment rapidement. Ceci peut être évité en réglant un intervalle de temps après le démarrage pendant lequel la fréquence minimale du compresseur est maintenue avant que le compresseur ne passe en fonctionnement normal. En standard, la valeur définie est de 0 s.

Fonctionnement à 50 Hz (Force)

Avec de grandes longueurs de tuyauteries, y compris conduites verticales, ou d'une conception non optimale de la ligne d'aspiration, les longues périodes de fonctionnement en charge partielle sont susceptibles d'entraîner une migration de l'huile. En augmentant la fréquence, et donc le débit masse, l'huile peut à nouveau être mise en circulation, évitant ainsi un éventuel arrêt en sécurité du compresseur. Cela peut être rendu possible par la fonction « Force » du convertisseur de fréquences VARIPACK. Si un manque d'huile dans le réservoir d'huile ou le compresseur est signalé, l'entrée numérique DI2 du convertisseur de fréquences VARIPACK peut être activée pour faire fonctionner le compresseur à au moins 50 Hz.

« Éviter des résonances »

Si à des fréquences de service précises, des vibrations surviennent qui ne peuvent pas être aisément supprimées, il est possible d'exclure ces fréquences. En outre, il est possible de définir deux plages de fréquences dans lesquelles le compresseur ne peut pas rester. Si la valeur de consigne est supérieure à une valeur de départ définie, la fréquence reste sur cette dernière jusqu'à ce que la valeur de consigne ait dépassé la valeur finale et que la plage de fréquences soit dépassée. Lors de l'arrêt aussi, la fréquence est maintenue jusqu'à ce que la valeur de consigne soit passée en dessous de la valeur de départ.

Limiter automatiquement la fréquence maximale

En cas de fonctionnement dans une plage de limite du champ d'application, le convertisseur de fréquences VARIPACK limite de lui-même la fréquence de service au moment où le courant de service maximal du compresseur ou du convertisseur de fréquences VARIPACK est atteint. Cela permet d'obtenir une combinaison économique compresseur/VARIPACK sans courir le risque que le convertisseur de fréquences VARIPACK ne se mettent en défaut lors de conditions de fonctionnement exceptionnelles (température de condensation élevée, mise en service ou démarrage après une longue période d'arrêt).

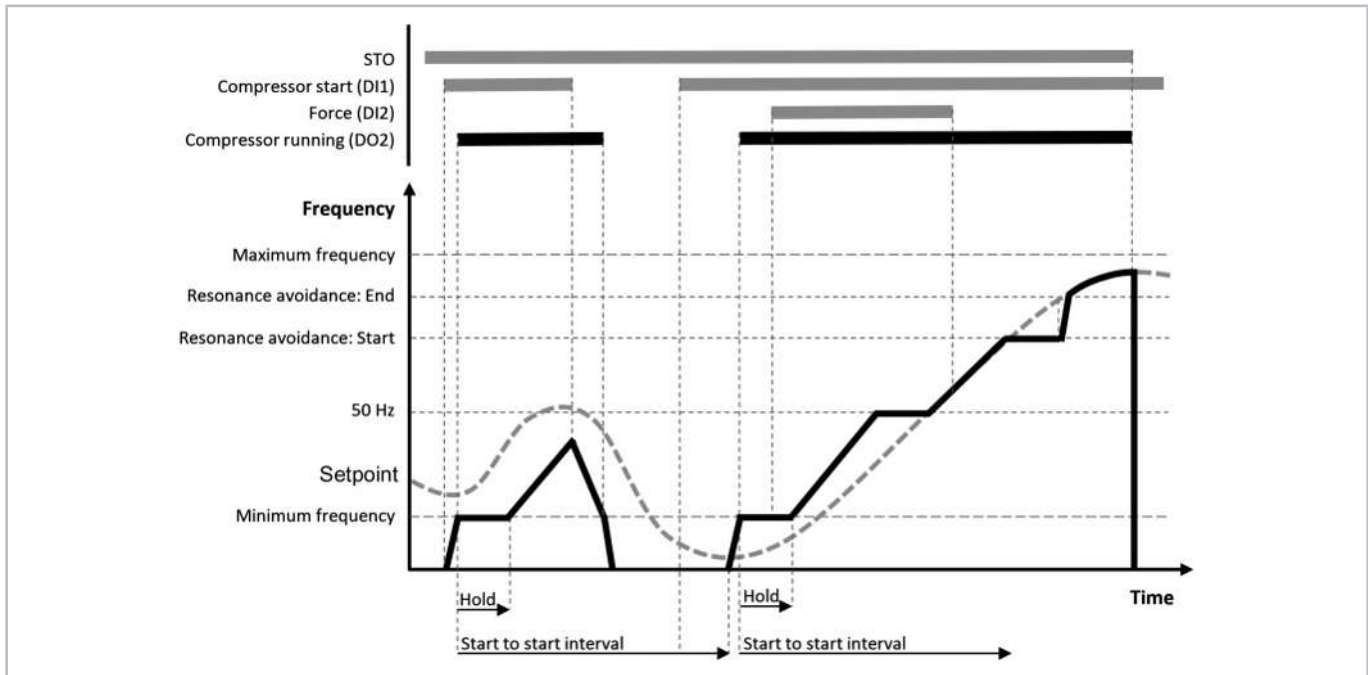


Fig. 23: Représentation graphique des fonctions de commande générales

6.1 Module d'extension pour la régulation de la pression

Explications graphiques des fonctions de commande et de régulation du module d'extension pour la régulation de la pression décrites ci-après voir figure 24, page 119.

Fonction de base et réglages minimaux

Si le module d'extension pour la régulation de la pression est raccordé au convertisseur de fréquences VARIPACK, le convertisseur de fréquences VARIPACK le détecte immédiatement et déverrouille les paramètres pertinents pour le module d'extension.

Outre les réglages de base, les paramètres suivants doivent être obligatoirement réglés pour permettre une régulation directe :

- Fluide frigorigène
- Température d'évaporation
- Limiteur de température d'évaporation (Pump Down)
- Température de condensation

La commande du compresseur se base sur la logique dite « Pump down ». L'entrée numérique pour le démarrage du compresseur (DI1) doit pour cela être fermée en permanence ou peut être utilisée pour débloquer un commutateur de commande. Le compresseur est mis en circuit quand la température d'évaporation dépasse la valeur de consigne et en arrête quand la température d'évaporation passe en dessous de la va-

leur réglée du limiteur de température d'évaporation (Pump Down).

En fonctionnement, le convertisseur de fréquences VARIPACK régule la température d'évaporation paramétrée en régulant la fréquence du compresseur ainsi que le démarrage et l'arrêt du compresseur à fréquence fixe (relais FsC2, X5 : 1 et 2). En fonction des besoins, la rapidité de la régulation peut être ajusté en réglant la bande P.

À l'aide de la sortie analogique AO1, il est possible de réguler la température de condensation via le signal 0 .. 10 V. Pour assurer un fonctionnement aussi efficace que possible, il est recommandé de régler la température de condensation de consigne conformément à la température de condensation minimale admissible du compresseur, si l'installation le permet. Si la température de condensation dépasse la valeur de consigne, la vitesse de rotation des ventilateurs est augmentée en conséquence. Le réglage de la bande P sur l'inertie de l'installation permet d'optimiser la qualité de la régulation. De plus, si nécessaire, il est possible de régler une vitesse minimale de rotation des ventilateurs.

« Valeur de consigne de température d'évaporation 2 »

La commutation de l'entrée DI3 active la valeur de consigne de température d'évaporation 2.

« Valeur de consigne de température de condensation 2 »

La commutation de l'entrée DI4 active la valeur de consigne de température de condensation 2. Cela peut par exemple être utilisé comme valeur de consigne pour la récupération de la chaleur.

« Limiteur de température de condensation »

Le limiteur de température de condensation réduit la fréquence du compresseur lorsque celui-ci dépasse la température de condensation réglée. Dans de nombreux cas, cela permet d'éviter un arrêt pour cause de haute pression, car la réduction de la fréquence réduit la charge sur le condenseur.

« Pressostat basse pression électronique »

La fonction de pressostat basse pression arrête le compresseur s'il passe en dessous de la valeur de pression réglée. Contrairement au limiteur de température d'évaporation (Pump-Down), il coupe immédiatement le compresseur dès que ce dernier atteint cette valeur li-

mite au lieu de l'éteindre via la rampe. De plus, un défaut est enregistré dans la mémoire de défaut du convertisseur de fréquences VARIPACK. Dès que la consigne de température d'évaporation est dépassée, le compresseur est redémarré.

« Pressostat haute pression électronique »

La fonction de pressostat haute pression arrête le compresseur s'il dépasse la valeur de pression réglée. Le réglage standard, qui est également la valeur maximale réglable, correspond à la pression de fonctionnement du compresseur. Le déverrouillage du pressostat haute pression se fait lorsque l'instrument passe en dessous de la température réglée dans le limiteur de température de condensation.



Information

La fonction de pressostat haute pression électronique ne remplace pas le pressostat haute pression à la conception contrôlée prescrit par la norme EN378 !

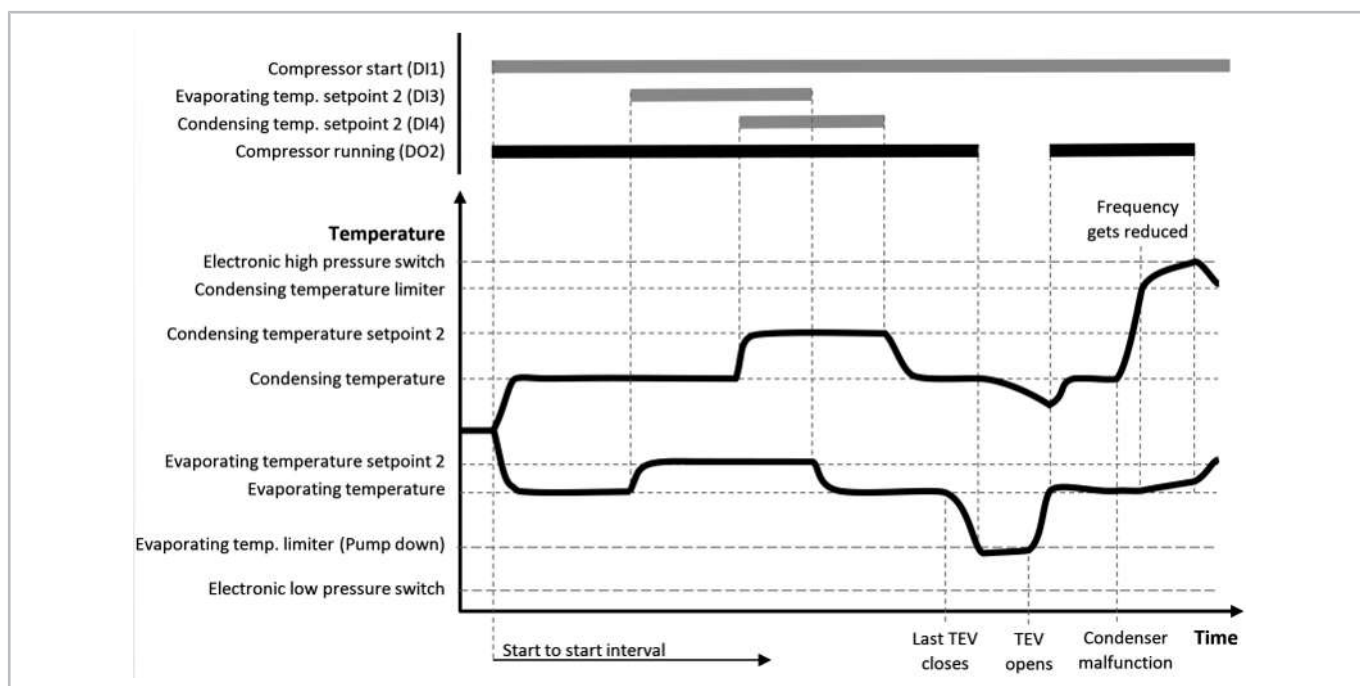


Fig. 24: Représentation graphique des fonctions de commande générales du module d'extension

7 Communication des données avec le convertisseur de fréquences VARIPACK

7.1 Communication via BEST SOFTWARE

i Information

La condition préalable pour l'installation et l'utilisation du BEST SOFTWARE est un PC ou un terminal mobile doté du système d'exploitation Windows 7 ou supérieur. Sans appareils avec système d'exploitation Windows 7, la communication avec le convertisseur de fréquences (CF) VARIPACK n'est possible que via le panneau de commande optionnel (voir chapitre Panneau de commande amovible (avec écran et clavier à touches), page 121).

Le BEST SOFTWARE offre un accès complet à toutes les données de fonctionnement et paramètres de commande, et peut être téléchargé gratuitement à partir du site Internet BITZER (www.bitzer.de).

La connexion de données et la communication avec le BEST SOFTWARE se fait via :

- Convertisseur d'interface BEST.
- Connexion Ethernet directe.
- Connexion Ethernet via router/GSM.

Convertisseur d'interface BEST (avec câble RJ12)

- Numéro de pièce 344 314 01.
- Conditions préalables : PC / terminal mobile avec interface USB.
- Limitations : aucune mise à jour de micrologiciel possible.

Raccorder le convertisseur d'interface BEST :

- Enficher le convertisseur d'interface BEST avec le câble RJ12 dans la douille de droite (XC3) sur la face inférieure de l'extension d'interface du CF VARIPACK (voir figure 25, page 120).

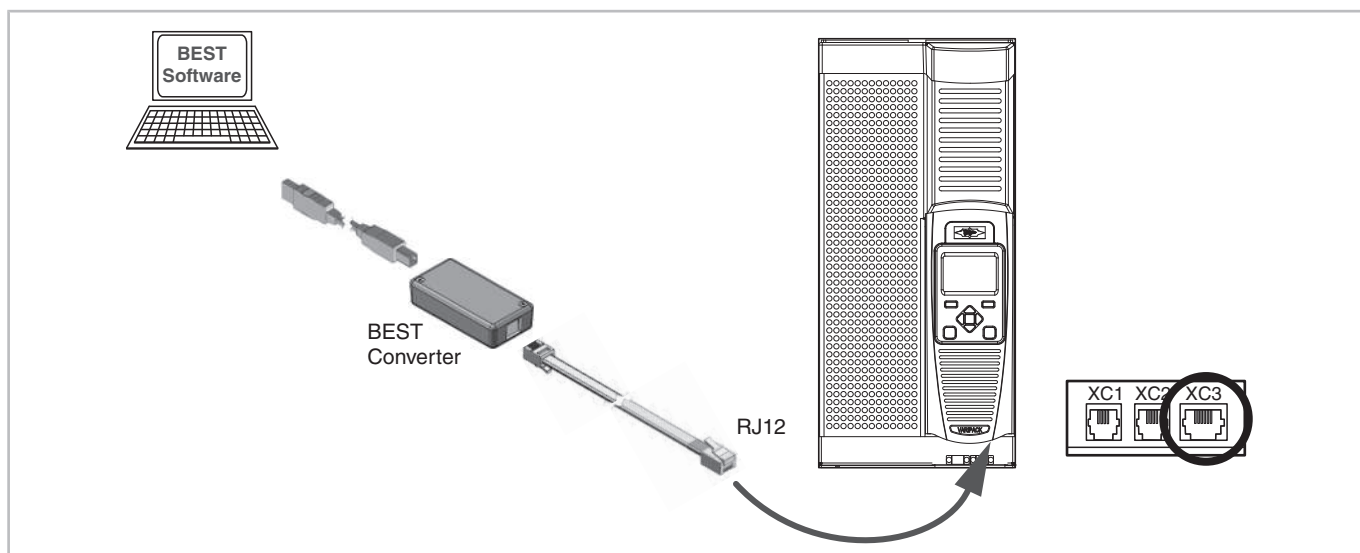


Fig. 25: Connecter le VARIPACK à un PC/terminal mobile via le convertisseur d'interface BEST et un câble RJ12

Connexion Ethernet directe (avec câble réseau RJ45)

- Prérequis : PC / terminal mobile avec douille Ethernet (RJ45).
- Un câble réseau standard suffit, il n'est pas nécessaire d'utiliser un câble croisé.

Connexion Ethernet via router/GSM

- Prérequis : PC / terminal mobile avec accès réseau.
- Accès local ou mondial, en cas de connexion Internet via un router/GSM.

Raccorder le câble réseau Ethernet (voir figure 26, page 121) :

- Insérer le câble réseau sur le dessus du module de contrôle VARIPACK.
- Pour retirer le câble, démonter le panneau de commande (voir figure 7, page 94, position 1).
- Puis insérer un tournevis depuis l'avant et appuyer légèrement vers le bas pour défaire le verrouillage au niveau du clip du câble réseau.

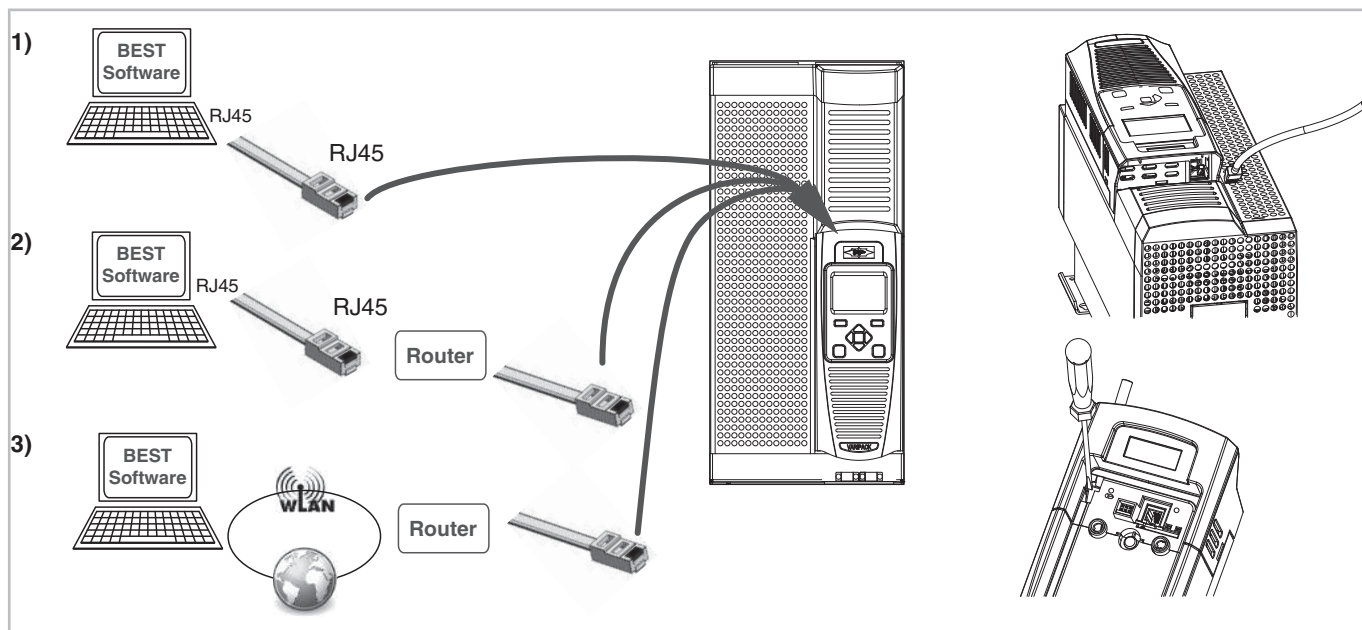


Fig. 26: Insérer le câble réseau au raccord RJ45 du VARIPACK et l'en retirer

Établir la communication avec BEST SOFTWARE :

voir chapitre Mettre en service le convertisseur de fréquences VARIPACK, page 122.

7.2 Panneau de commande amovible (avec écran et clavier à touches)

Le convertisseur de fréquences VARIPACK peut être entièrement configuré et contrôlé par le panneau de commande optionnel amovible (avec écran et clavier à touches). Pour ce faire, insérer la carte SD livrée avec le panneau de commande dans le port pour carte SD. Puis insérer le panneau de commande soit directement sur la face avant (à la place du cache) (voir figure 7, page 94) ou le monter à l'extérieur de l'armoire électrique ou sur la porte de l'armoire électrique à l'aide du kit pour montage externe.



Information

La première configuration via le panneau de commande du convertisseur de fréquences VARIPACK pour les compresseurs à vis et à scroll sera bientôt disponible !

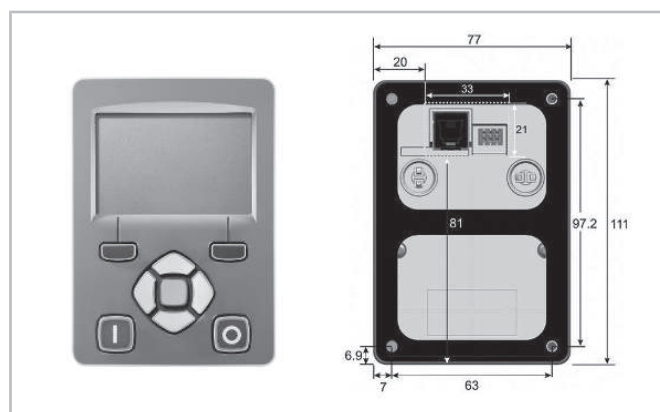


Fig. 27: Vues avant et arrière du panneau de commande avec trous de fixation et dégagement sur la face arrière (pour le montage externe)

7.2.1 Kit de montage pour montage externe du panneau de commande

Le kit pour le montage externe du panneau de commande optionnel (numéro d'article 347 971 01) se compose :

- D'un câble de liaison (3 m de long).
- De 4 vis de montage.

Montage (voir figure 27, page 121) :

- Monter le panneau de commande sur une surface plane, par exemple à l'extérieur, sur la porte de l'armoire électrique.
- Tenir compte du dégagement sur la porte de l'armoire électrique prévu pour les raccords situés à

l'arrière du panneau de commande (voir figure 27, page 121) !

7.2.2 Montage et commande du panneau de commande

Voir à ce sujet la feuille supplémentaire 378 204 05 BITZER jointe au panneau de commande.

7.3 Interface pour la communication via Modbus RTU et Modbus TCP/IP

Pour la communication avec le régulateur d'installation supérieur ou le système domotique, vous disposez en outre des interfaces suivantes :

- Modbus RTU via RS485.
- Modbus TCP/IP via câble réseau à RJ45.

Pour des explications et la configuration de ces interfaces, y compris la définition du registre ou des adresses, veuillez-vous référer au logiciel BEST SOFTWARE version 2.9 ou supérieure.

8 Mettre en service le convertisseur de fréquences VARIPACK

D'abord :

Établir la communication avec BEST SOFTWARE, voir figure 28, page 122 :

- Démarrer BEST SOFTWARE (1).
- Cliquer sur le bouton NOUVEAU (2).
- Sélectionner le convertisseur de fréquences VARIPACK (3).
- Cliquer sur le bouton CONNECTER (4).
- Options affichées : CONVERTISSEUR BEST ou ETHERNET.
 - Si vous sélectionnez CONVERTISSEUR BEST :
Cliquez sur le bouton CONNECTER. Le convertisseur de fréquences VARIPACK est désormais connecté au terminal mobile.
 - Si vous sélectionnez ETHERNET :
Une liste de tous les dispositifs disponibles s'affiche.
Sélectionnez le dispositif.
Cliquez sur le bouton CONNECTER.
Saisir le mot de passe Ethernet (standard « 8670 »)

Le convertisseur de fréquences VARIPACK est désormais connecté au PC / terminal mobile.



Fig. 28: Connecter le convertisseur de fréquences VARIPACK avec BEST SOFTWARE

Configurer le VARIPACK :

- Régulation de puissance du compresseur en fonction d'un signal de valeur de consigne externe :
 - Cliquer sur le bouton CONFIGURATION
 - Cliquer sur le paramètre COMPRESSEUR et sélectionner le compresseur avec le code moteur et le câblage moteur.
 - Cliquer sur le bouton TRANSFÉRER et sélectionner et cliquer sur TRANSFÉRER LES PARAMÈTRES UTILISATEUR AU DISPOSITIF.

Cela achève la configuration de base.

- Régulation de puissance du compresseur en fonction de la pression d'évaporation avec le module d'extension pour la régulation de la pression (option), voir figure 29, page 123.
 - Cliquer sur le bouton CONFIGURATION
 - Cliquer sur le paramètre COMPRESSEUR et sélectionner le compresseur avec le code moteur et le câblage moteur.
 - Sélectionner le fluide frigorigène adéquat.
 - Si nécessaire, ajuster les réglages de température et de pression.
 - Cliquer sur le bouton TRANSFÉRER et sélectionner et cliquer sur TRANSFÉRER LES PARAMÈTRES UTILISATEUR AU DISPOSITIF.

Cela achève la configuration.

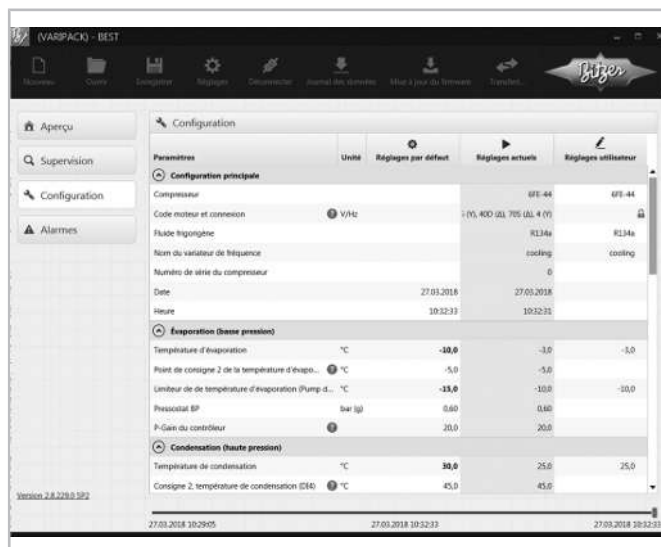


Fig. 29: Configuration VARIPACK « Régulation de pression »

9 Messages de défaut et fonctions de contrôle

Description des types de défauts :

« Timed resets » :

- Les défauts « Timed reset » se réinitialisent automatiquement jusqu'à 5 fois. Si le défaut n'est plus actif et que le retard de temps consécutif paramétré est écoulé, le compresseur peut redémarrer. L'intervalle « Timed Reset » peut être configuré à partir de la version de firmware VARIPACK V1.14. Le réglage d'usine est de 300 s, comme dans la version précédente. Des intervalles plus courts ne devraient être réglés que dans des installations dotées d'un régulateur avec fonction de gestion des alarmes. Après 5 erreurs en l'espace de 5 intervalles consécutifs configurés ou 5 erreurs en l'espace de 5 minutes, une erreur « External resets » est déclenchée.
- Après au moins 5 minutes de fonctionnement sans erreurs ou après écoulement sans erreurs de 5 intervalles consécutifs configurés, le nombre de « Timed resets » repasse à 5. La même chose vaut pour la réinitialisation (Reset) active d'un défaut, par ex. via l'entrée numérique DI5 (Reset).

« External resets » :

- Les défauts du type « External reset » sont réinitialisés quand le défaut n'est plus actif et qu'une commande de réinitialisation est reçue. La commande de réinitialisation peut être exécutée en appuyant sur le bouton rouge sur le panneau de commande, via l'entrée numérique DI5 ou via Modbus.

N°	Défaut	Avertissement	Type de défaut
1	Surtension	X	« Timed reset »
2	Sous-tension	X	« Timed reset »
3	Surintensité		« Timed reset »
4	Défaut unité de puissance		« Timed reset »
5	Surintensité unité de puissance		« Timed reset »
6	Limitation de courant		« Timed reset »
7	Moteur bloqué		« Timed reset »
8	Surcharge		« Timed reset »
9	Surcharge (moteurs à aimant permanent)		« Timed reset »
10	Surintensité à faible vitesse de rotation		« Timed reset »
11	Température ambiante dissipateur de chaleur trop élevée	X	« Timed reset »
12	Température ambiante module de commande trop élevée	X	« Timed reset »
14	Démarrage du compresseur échoué		« Timed reset »
20	Contacteur réseau		« Timed reset »
21	Défaillance de phase		« Timed reset »
22	Ondulation VCC		« Timed reset »
24	Surcharge 24 V		« Timed reset »
27	STO active		« Timed reset »
29	Erreur ventilateur		« Timed reset »


N°	Défaut	Avertissement	Type de défaut
30	Erreur capteur de courant		« Timed reset »
33	Erreur transmetteur de basse ou haute pression		« Timed reset »
34	Coupure par le pressostat basse ou haute pression		« Timed reset »


Tab. 7: Messages de défaut possibles

Pour une liste des causes possibles d'un défaut et des instructions pour régler le problème, voir BEST SOFTWARE.

10 Maintenance

DANGER

 Tensions très dangereuses à l'intérieur du corps du convertisseur de fréquences !

 Tout contact peut provoquer des blessures graves ou la mort.

Ne jamais ouvrir le corps du CF en cours de fonctionnement ! Mettre l'interrupteur principal hors circuit et le sécuriser contre toute remise en marche.

Attendre au moins 5 minutes jusqu'à ce que tous les condensateurs soient déchargés ! Avant la remise en marche, fermer le corps du CF.

Personnel spécialisé autorisé

Les travaux de maintenance ne doivent être exécutés que par des électriciens spécialisés. Les directives en vigueur à cet effet déterminent la qualification et la compétence nécessaires du personnel spécialisé.

i Information

Pour des raisons de garantie, de fiabilité et de qualité, les réparations sur ce dispositif ne doivent être exécutées que par un personnel spécialisé qualifié. Sauf indication contraire, les convertisseurs de fréquences VARIPACK ne doivent pas être démontés. En cas de défaut de service, renvoyer les convertisseurs de fréquences VARIPACK .

Travaux de maintenance réguliers et préventifs

Dans le cadre de travaux de maintenance réguliers sur l'installation :

- Contrôler les éléments filtrants de l'armoire électrique ; si nécessaire, les nettoyer ou les remplacer.


Tous les 5 ans dans le cadre d'une maintenance préventive :


- Remplacer les ventilateurs de refroidissement de l'unité de puissance.

Remplacer les ventilateurs du dissipateur de chaleur

Avant tout travail de maintenance sur le convertisseur de fréquences VARIPACK :

ATTENTION

 En fonctionnement, le dissipateur de chaleur du convertisseur de fréquences VARIPACK devient chaud.

 Risque de brûlures en cas de contact !

Avant tout travail sur le convertisseur de fréquences VARIPACK, couper l'alimentation électrique et attendre au moins 15 minutes que le dissipateur de chaleur ait refroidi.

Démontage du ou des ventilateur(s) :

- Retirer les deux vis sur le dessus du dissipateur de chaleur et retirer la grille de protection du ventilateur.
- Retirer le ou les ventilateur(s), retirer les fiches du câblage et insérer le ou les nouveau(x) ventilateur(s). S'assurer que la face de ventilateur correcte est bien tournée vers le haut. (voir figure 30, page 125).
- Puis revisser la grille de protection de ventilateur (couple de serrage 1,3 Nm).

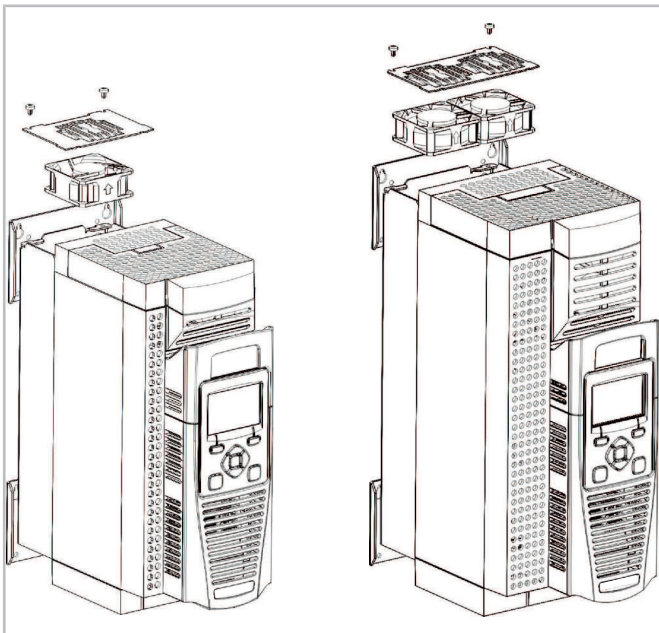


Fig. 30: Remplacement des ventilateurs dans le dissipateur de chaleur

Type	Num. d'article des ventilateurs en cas de remplacement
FDU+12 .. FGU+38	343 034 05
FHU+45, FHU+60, FHU+73, FJU+105, FJU+145	343 034 06
FJU+87	343 034 08
FKU+180, FKU+205, FKU+260	343 034 07



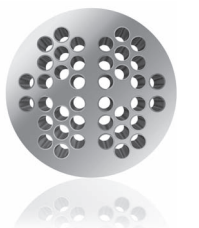
Notes

A large grid of small dots for writing notes, consisting of approximately 30 columns and 40 rows.



Notes

Grid of dotted lines for notes.





80060102 // 06.2018

Subject to change
Änderungen vorbehalten
Toutes modifications réservées

BITZER Kühlmaschinenbau GmbH
Eschenbrünlestraße 15 // 71065 Sindelfingen // Germany
Tel +49 (0)70 31 932-0 // Fax +49 (0)70 31 932-147
bitzer@bitzer.de // www.bitzer.de